

Stinger 8500 Stacker

Index

Other Documents

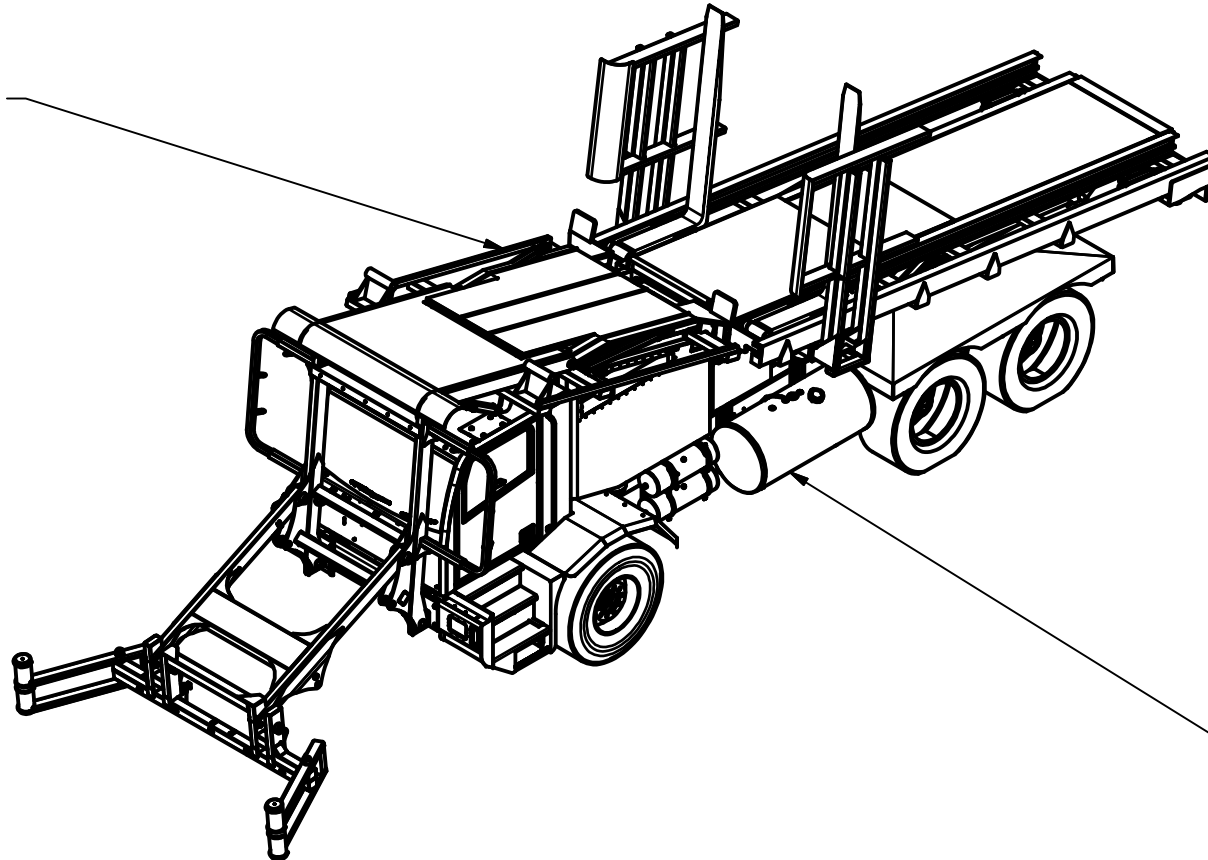
Unit Assy

**Filters &
Belts**

Fluids

Lights

**Chassis
& Fenders**



Other Documentation

These files will open in a new window

Back

Home

**Allison Owners
Manual**

**CCC Parts
Manual**

**Allison Service
Manual**

**CCC Service
Manual**

**Cleanfix Parts
Manual**

**Cummins
Website**

**Stinger 6500 Stacker
Index**

Back

Home

**Control
Valves**

**Hydraulic
Cylinders**

Frontend

Stackframe

Main Slide

Doors

Control Valves

Back

Home

Main Control Valve #1

Frontend Control Valve

Main Control Valve #2

Hoist Control Valve

Rear Control Valve

1/4-Turn Control Valve

Light index

Back

Home

**Turn Signal/Brake
Lights**

**White Lights
LED**

Compartment Light

Hydraulic Cylinder Index

Back

Home

**Front
Cylinders**

**Rear
Cylinders**

Fluids Index

Back

Home

**Power
Steering**

Engine Oil

**Hydraulic
Oil**

**Rear
Differential**

**Transmission
Oil**

Power Steering Fluids

[Back](#)

Filter part #1490-7285

(Nelson #87410A21)

Change filter after 250 hrs and every 1000 hrs thereafter

[Home](#)

10 qts fills the system

Approved Hydraulic Fluids

Automatic Transmission Fluid Dexron II
Automatic Transmission Fluid Type "E" or "F"
Chevron 10W-40
Chevron Custom 10W-40 Motor Oil
Chevron Torque 5 Fluid
Exxon Nuto H32 Hydraulic Fluid
Fleetrite PSF (Can #990625C2)
Ford Spec. M2C138CJ
Mack EO-K2 Engine Oil

Mobil ATF 210
Mobil Super 10W-40 Motor Oil
Premium Blue 2000 - SAE 15W-40
*Shell Rotella T30W
*Shell Rotella T SAE 30
Texaco 10W-40
Texaco TL-1833 Power Steering Fluid
Union 10W-40
Union 15W-40
Unocal Guardol 15W-40 Motor Oil

The steering system should be kept filled with one of the above fluids. Fluids marked with an asterisk (*) have not been approved for use with TRW's pump.



WARNING

Completely flush the steering system with one of the recommended fluids above only. Do not mix oil types. Any mixture or any unapproved oil could lead to seal deterioration and leaks. A leak could ultimately cause the loss of fluid, which could result in a loss of power steering assist.

Rear Differential Oil

[Back](#)

[Home](#)

The Rear differential uses 85/140 gear lube

It takes 39 pints to fill the system

Change oil after the first 250 hrs

and every 12 months thereafter

Hydraulic Oil

[Back](#)

[Home](#)

Filter #1490-5214

(Donaldson #P16-5878)

Hydraulic oil should have an ISO AW-46 rating

(Approx. 130 gallons fills the system)

John Deer Hy-Guard & CIH Hy-Trans work fine

Change filters every 12 months

Transmission Oil

Back

Filter #1490-4598

Home

(Allison #29548988.....Donaldson #P560971)

Transmission Oil should be Allison approved

(T.E.S. 295)

Initial fill 32 qts, Refill 22 qts

**Change the filter at 200 hrs then
Change Oil/Filter every 3000 hrs for synthetic Oils**

**Partial List of
T.E.S. 295 Oils**

Engine Oil

[Back](#)

[Home](#)

Filter #1490-5208

(Fleetguard #LF9009.....Donaldson #P553000)

Oil Change 20 qts

Change oil/filter every 500 hrs

CCC 8500 Belts & Filters

Engine Oil Filter.....	1490-5208	(Fleetguard #LF9009...Donaldson #P553000)
Fuel Filters.....	1490-5670	(Fleetguard #FF5580...Donaldson #P550774)
.....	1490-5799	(Fleetguard #LS19732...Donaldson #P550848)
Transmission Filter.....	1490-4598	(Allison #29548988...Donaldson #P560971)
Engine Air Filter.....	1490-5242	(Donaldson P131280)
.....	1490-5243	(Donaldson P118216)
Hydraulic Oil Filter.....	1490-5214	(Donaldson #P16-5878)
Power Steering Filter.....	1490-7285	(Nelson #87410A21)
A/C Filters		
Fresh air Filter (Outside).....	1490-5194	(Red Dot 78R5320...Donaldson #P112671) S/N A1000
Fresh air Filter (Outside).....	1490-6328	(Aurora # 436-440-0255) S/N A1001-A1002
Fresh air Filter (Outside).....	1490-6528	(Wix 49979) S/N A1003-Later
Recirculate Filter (Inside).....	1490-5615	(Red Dot #78R5240) S/N A1000
Recirculate Filter (Inside).....	1490-6329	(Aurora # 436-440-0008) S/N A1001-A1002
Recirculate Filter (Inside).....	1490-6529	(Red Dot #78R5361) S/N A1003-Later

Belts

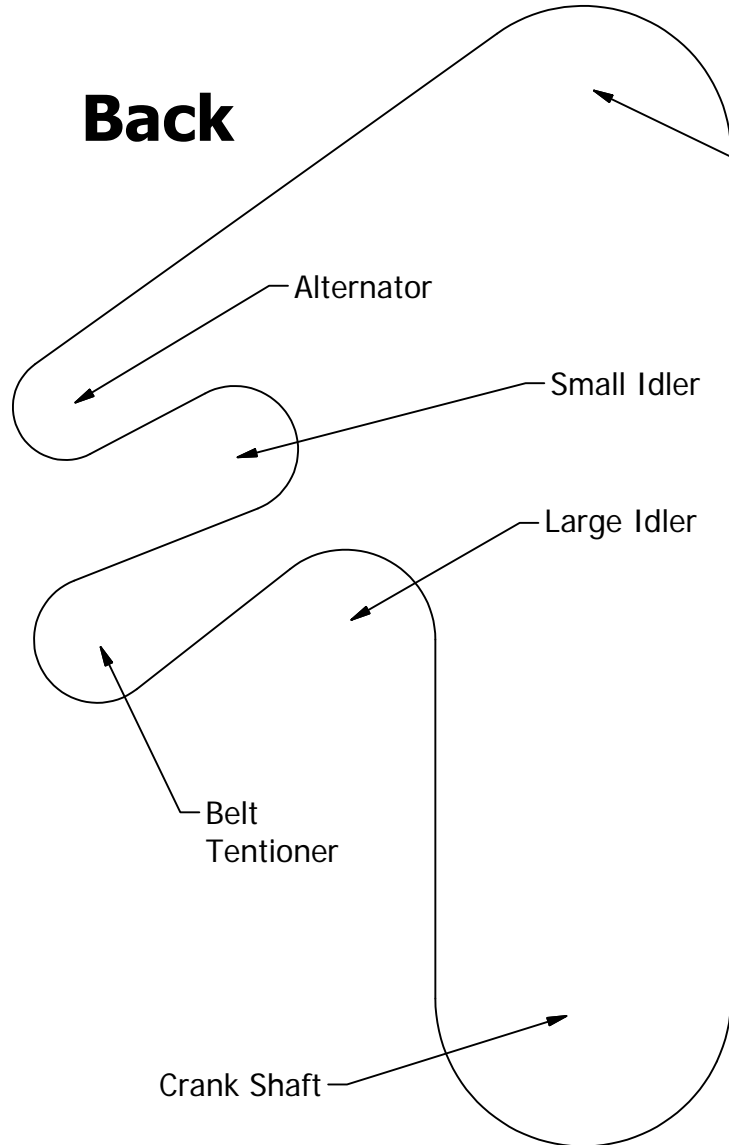
Fan Belt (Serpentine).....	1490-5985	(Cummins #3974248...Gates #K080926HD) S/N A1000
Fan Belt (Serpentine).....	1490-5672	(Cummins #3972379...Gates #K080897HD) S/N A1001-A1006
A/C Belt.....	1490-7106	(Gates #9455....Dayco #17455)

[More Information](#)

**Fluid
Index**

Cummins 8.3L Serpentine Belt Route

(All Models)



Serpentine Belt

S/N	Cummins	Dayco	Stinger	NAPA
230-309	3926861	5080725	1490-5215	25-080726
310-332	3289686	5080765	1490-4641	25-080765
333	3972262	5080770	1490-4645	25-080774
334-340	3289686	5080765	1490-4641	25-080765
341-392	3972262	5080770	1490-4645	25-080774
393-479	3972379	5080895	1490-5672	25-080893
480-later	3974248	5080925	1490-5985	25-080922

A/C Belt

S/N	Gates	Dayco	Stinger
230-309	9395	17395	1490-5216
310-479	9412	17410	1490-5212
480-Later	9395	17395	1490-5216

T. E. S. 295 Approved Transmission Oils

[Back](#)

[Home](#)

Marketer	Brandname
Castrol	Transynd
BP Lube	Autran Syn 295
Cognis	Emgard 2805
International	Fleetrite Synthetic ATF
ExxonMobile	Delvac Sybthetic ATF
John Deere	HD SynTran
Volvo	Bulldog Synthetic ATF

CCC 8500 Belts & Filters

Engine Oil Filter.....	1490-5208	(Fleetguard #LF9009...Donaldson #P553000)
Fuel Filters.....	1490-5670	(Fleetguard #FF5580...Donaldson #P550774)
.....	1490-5799	(Fleetguard #LS19732...Donaldson #P550848)
Transmission Filter.....	1490-4598	(Allison #29548988...Donaldson #P560971)
Engine Air Filter.....	1490-6942	(Donaldson P131280)
.....	1490-6943	(Donaldson P118216)
Hydraulic Oil Filter.....	1490-5214	(Donaldson #P16-5878)
Power Steering Filter.....	1490-7285	(Nelson #87410A21)
A/C Filters		
Fresh air Filter (Outside).....	1490-5194	(Red Dot 78R5320...Donaldson #P112671) S/N A1000
Fresh air Filter (Outside).....	1490-6328	(Aurora # 436-440-0255) S/N A1001-A1002
Fresh air Filter (Outside).....	1490-6528	(Wix 49979) S/N A1003-Later
Recirculate Filter (Inside).....	1490-5615	(Red Dot #78R5240) S/N A1000
Recirculate Filter (Inside).....	1490-6329	(Aurora # 436-440-0008) S/N A1001-A1002
Recirculate Filter (Inside).....	1490-6529	(Red Dot #78R5361) S/N A1003-Later

Belts

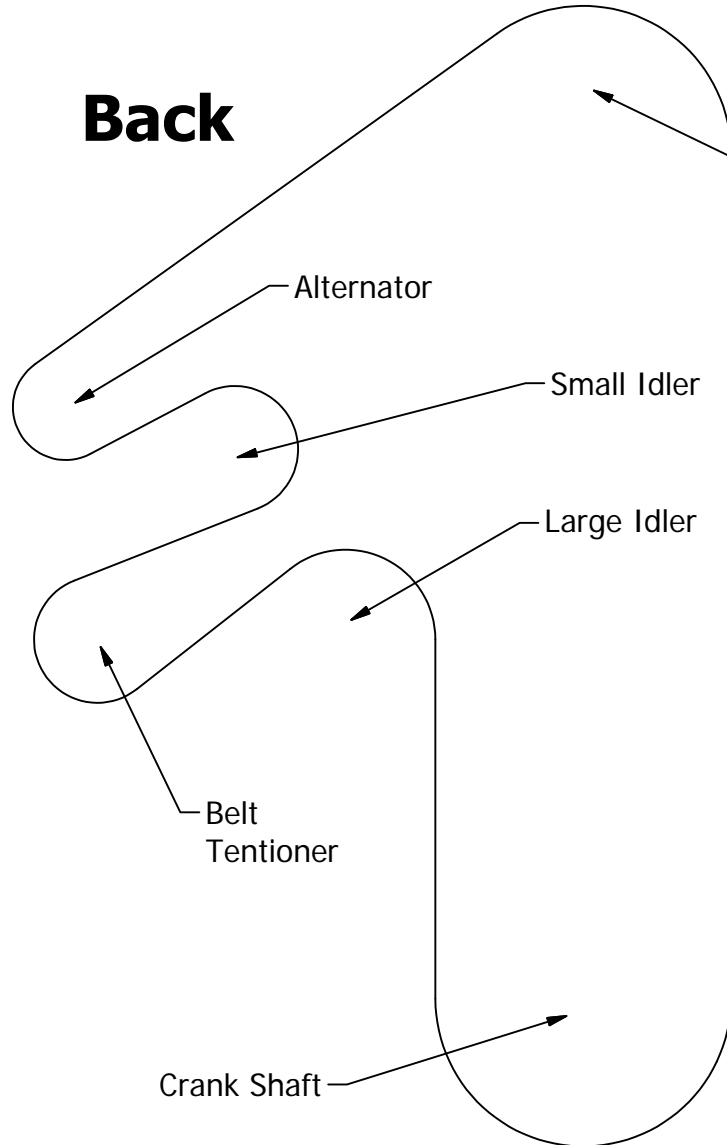
Fan Belt (Serpentine).....	1490-5985	(Cummins #3974248...Gates #K080926HD) S/N A1000
Fan Belt (Serpentine).....	1490-5672	(Cummins #3972379...Gates #K080897HD) S/N A1001-A1006
A/C Belt.....	1490-7106	(Gates #9455....Dayco #17455)

[More Information](#)

**Fluid
Index**

Cummins 8.3L Serpentine Belt Route

(All Models)



Serpentine Belt

S/N	Cummins	Dayco	Stinger	NAPA
230-309	3926861	5080725	1490-5215	25-080726
310-332	3289686	5080765	1490-4641	25-080765
333	3972262	5080770	1490-4645	25-080774
334-340	3289686	5080765	1490-4641	25-080765
341-392	3972262	5080770	1490-4645	25-080774
393-479	3972379	5080895	1490-5672	25-080893
480-later	3974248	5080925	1490-5985	25-080922

A/C Belt

S/N	Gates	Dayco	Stinger
230-309	9395	17395	1490-5216
310-479	9412	17410	1490-5212
480-Later	9395	17395	1490-5216

Rear Cylinder Index

Back

Home

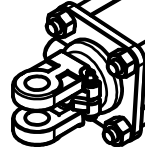
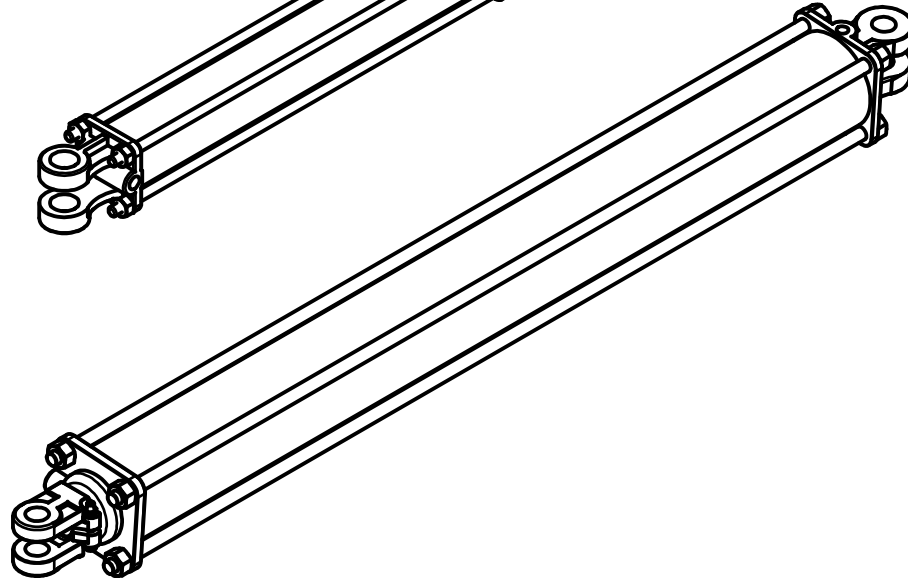
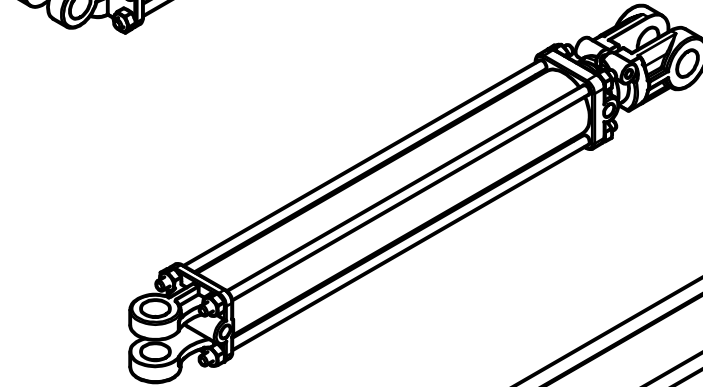
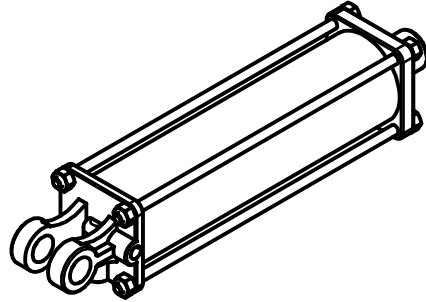
Hoist

Pull-Bar

Stackdown

Squeeze

Push-Off



Rear Cylinder Index

Back

Home

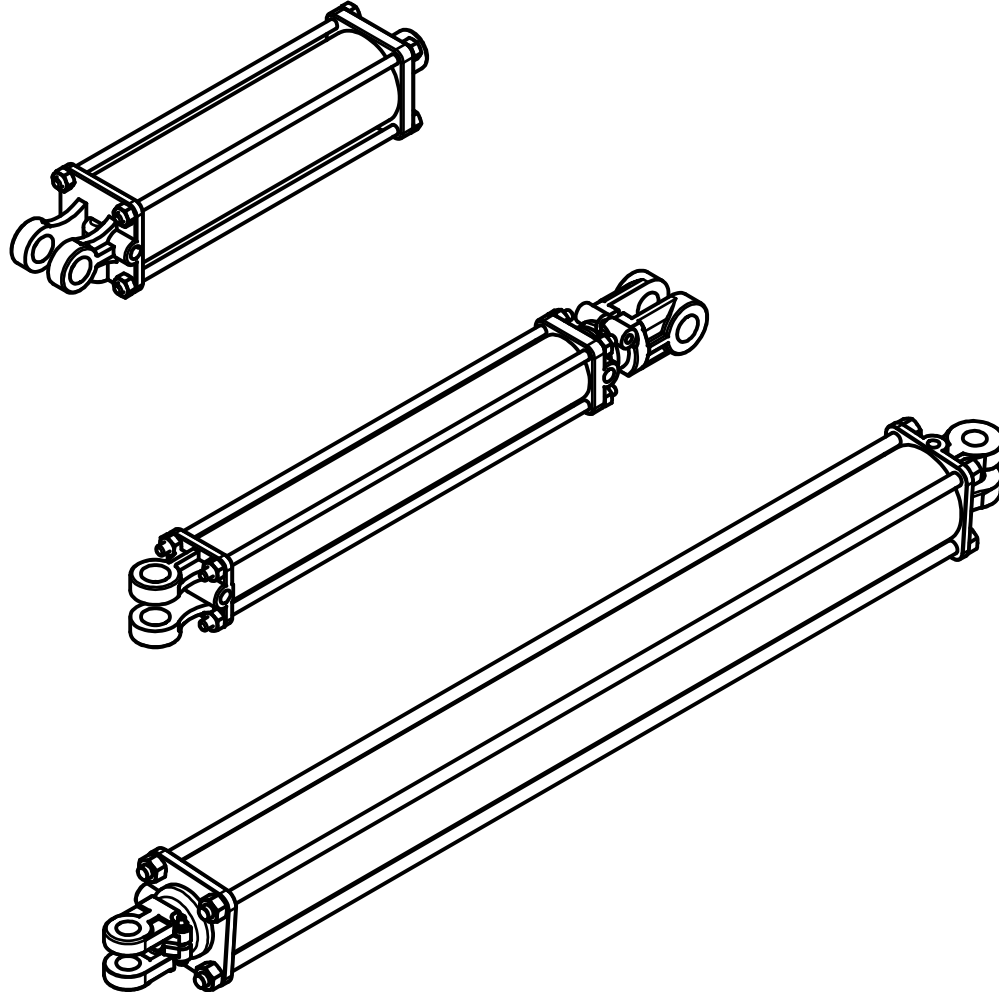
Hoist

Pull-Bar

Stackdown

Squeeze

Push-Off

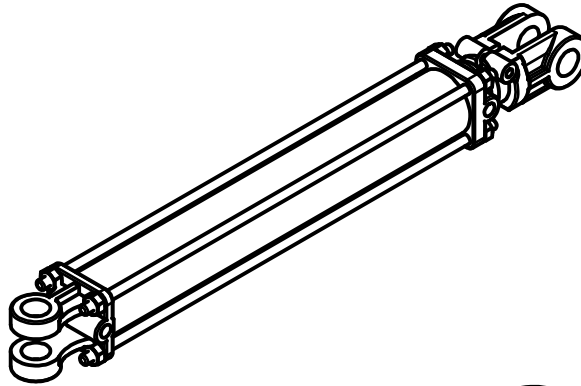


**Front Cylinder
Index**

Back

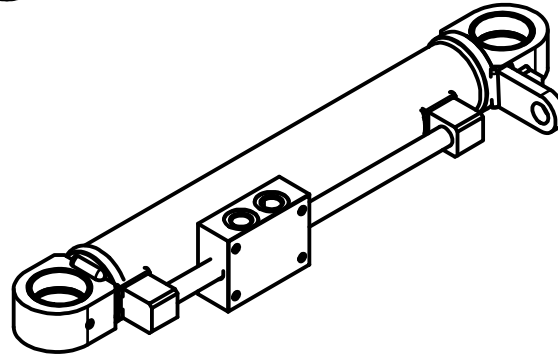
Home

Front Sqz



Slide Assist

Front Tilt w/Sensor



Front Lift w/Sensor

Front Tilt

Front Lift

Double Turn

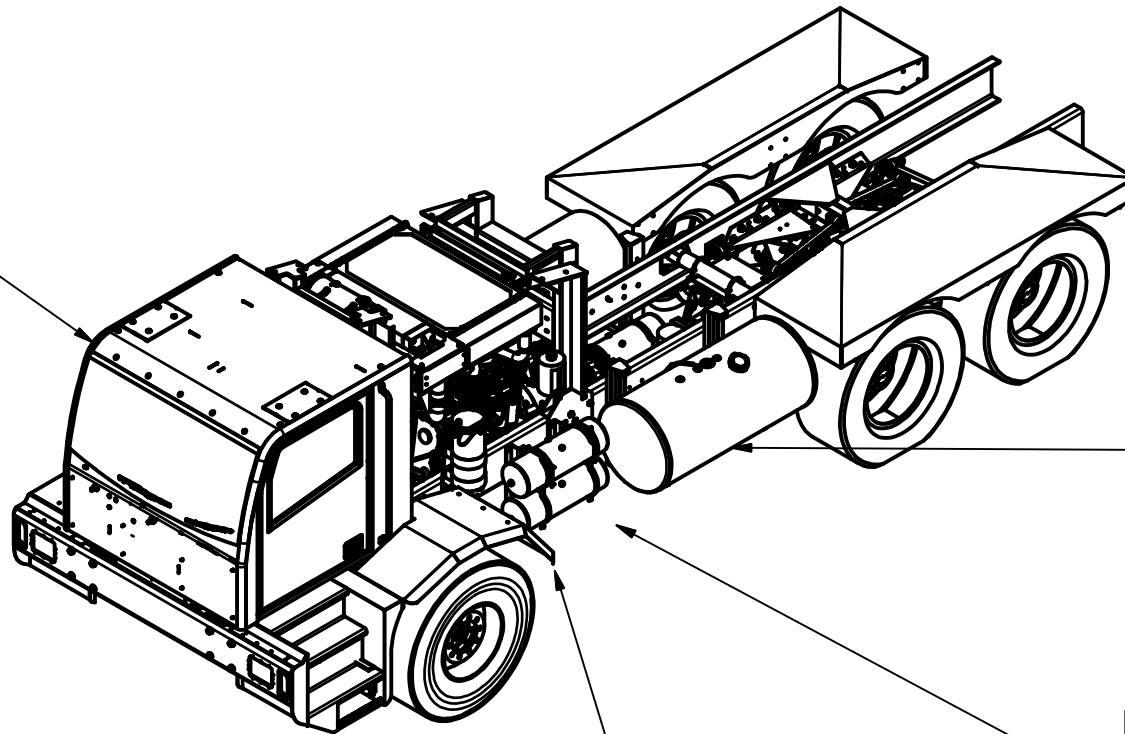
Stinger 8500 Stacker Chassis & Fenders

Back

Home

Cab

Fenders



Chassis

**Engine, Pump
Transmission**

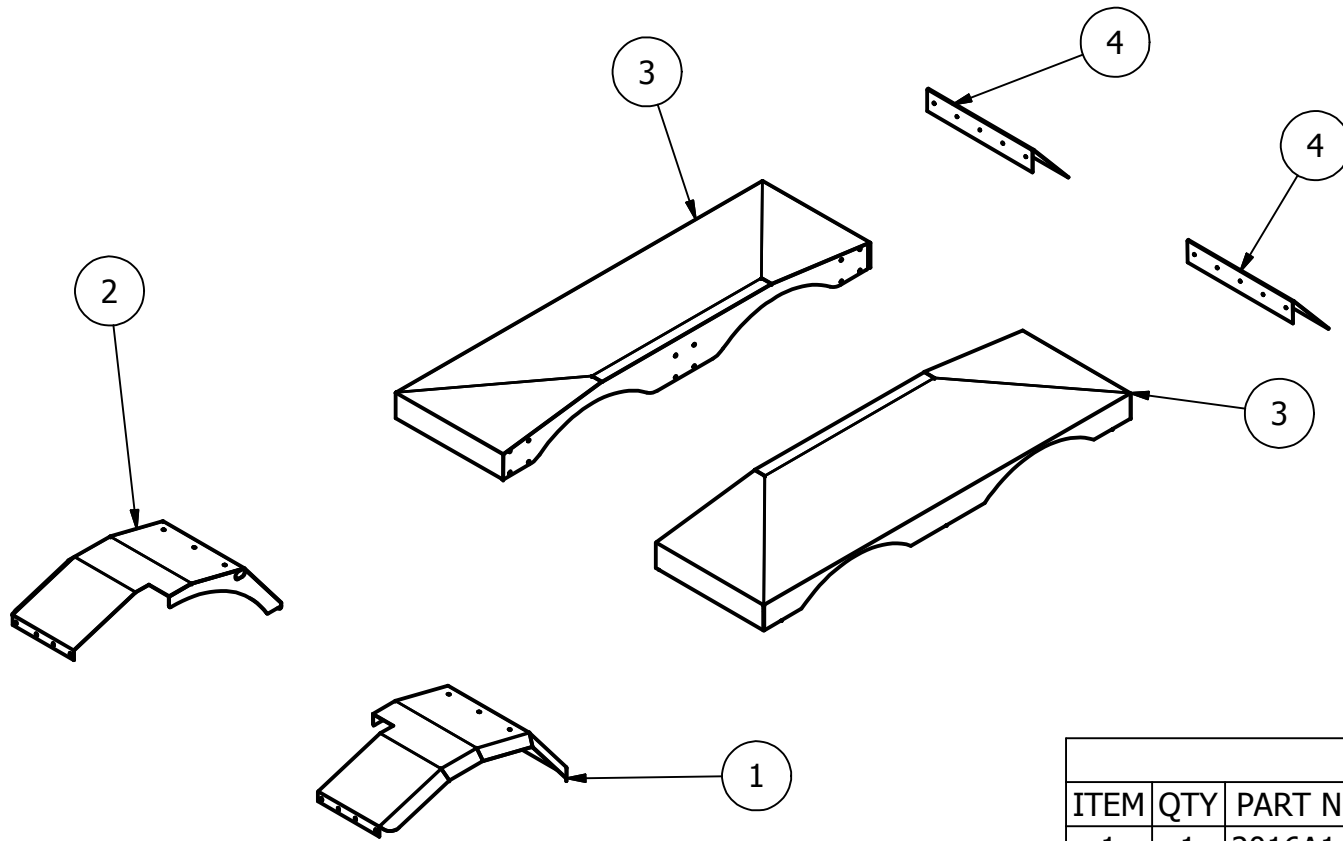
Mudflaps



8500 Fenders

Back

Home



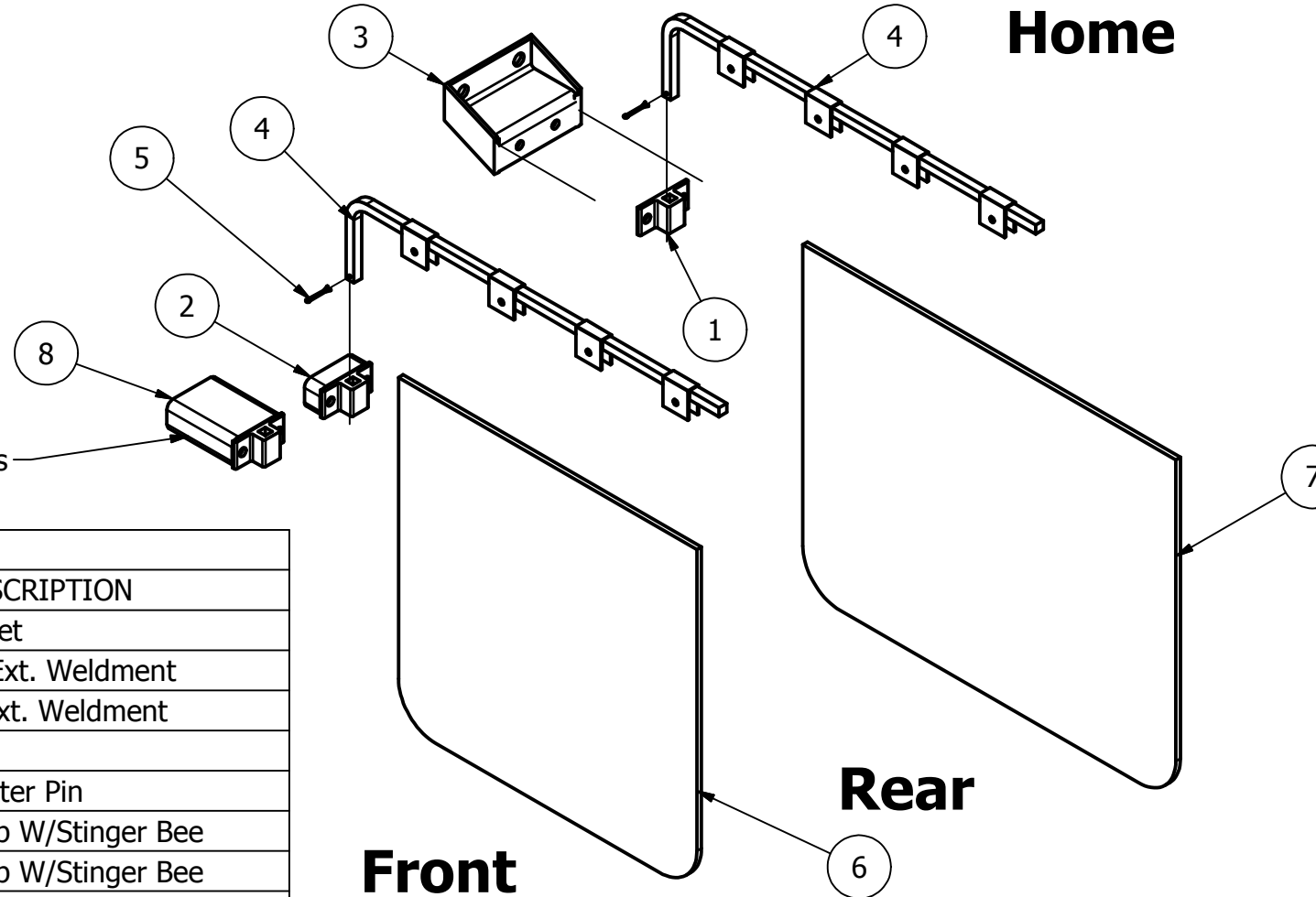
Mud Flaps

PARTS LIST			
ITEM	QTY	PART NUMBER	DESCRIPTION
1	1	2016A1	Front LH SS Fender
2	1	2016A2	Front RH SS Fender
3	2	8560A89	8500 Tandem Series Fender
4	2	8560-517	Mudflap Shield

Mud Flap Detail

Back

Home



Used for the Alliance Front Floats

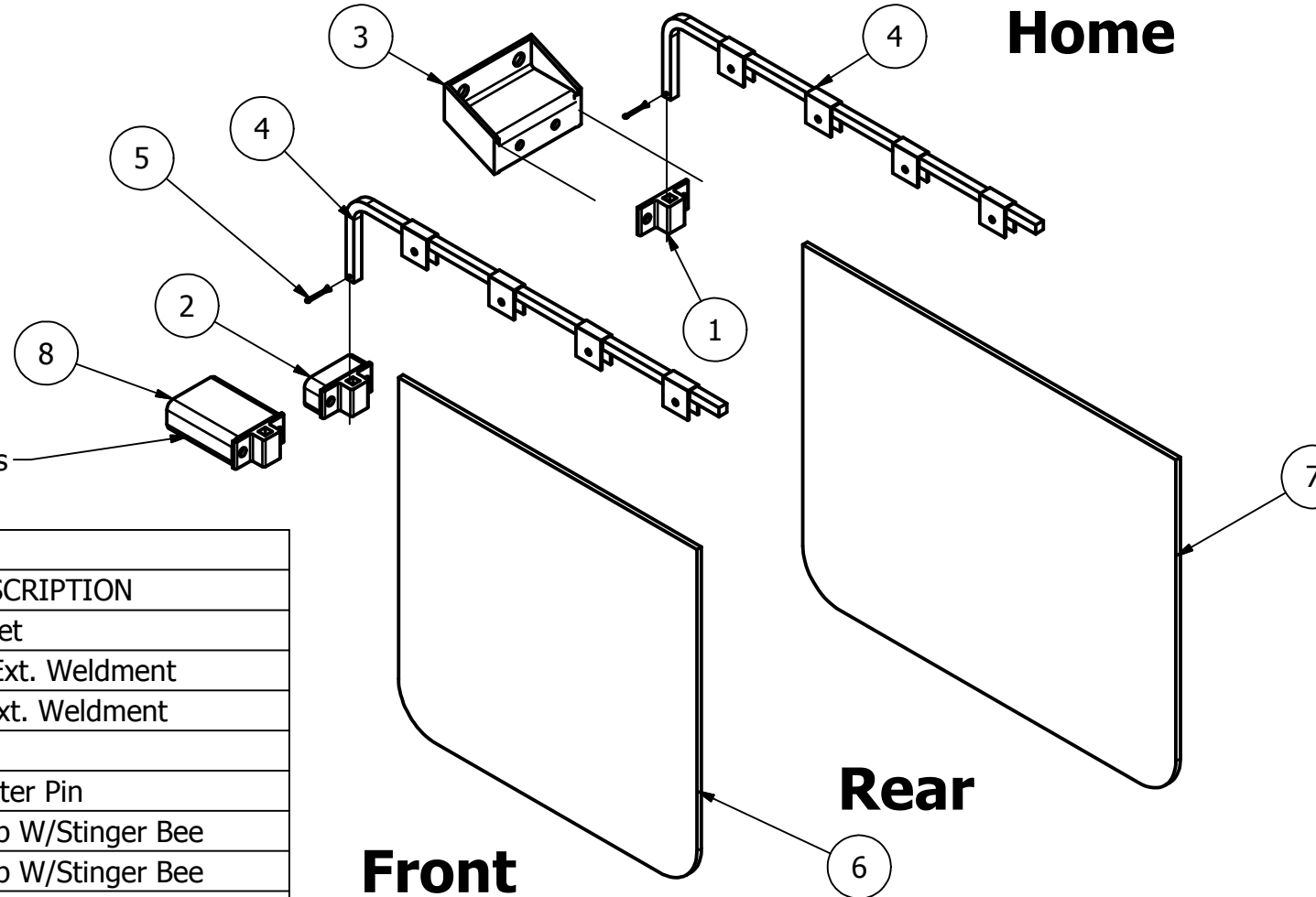
PARTS LIST

ITEM	QTY	PART NUMBER	DESCRIPTION
1	1	14905045	Mud Flap Bracket
2	1	2006A2	Front Mudflap Ext. Weldment
3	1	2000A8	Rear Mudflap Ext. Weldment
4	2	1490-5088	Mudflap Arm
5	2	Cotter Pin	1/8 X 1-3/8 Cotter Pin
6	1	1490-4514	24 X 24 Mudflap W/Stinger Bee
7	1	1490-2310	24 X 30 Mudflap W/Stinger Bee
8	1	2006A4	Front Mudflap Ext. Weldment (Long)

Mud Flap Detail

Back

Home



Used for the Alliance Front Floats

PARTS LIST

ITEM	QTY	PART NUMBER	DESCRIPTION
1	1	14905045	Mud Flap Bracket
2	1	2006A2	Front Mudflap Ext. Weldment
3	1	2000A8	Rear Mudflap Ext. Weldment
4	2	1490-5088	Mudflap Arm
5	2	Cotter Pin	1/8 X 1-3/8 Cotter Pin
6	1	1490-4514	24 X 24 Mudflap W/Stinger Bee
7	1	1490-2310	24 X 30 Mudflap W/Stinger Bee
8	1	2006A4	Front Mudflap Ext. Weldment (Long)

8500 Chassis

Back

Home

Front Axle

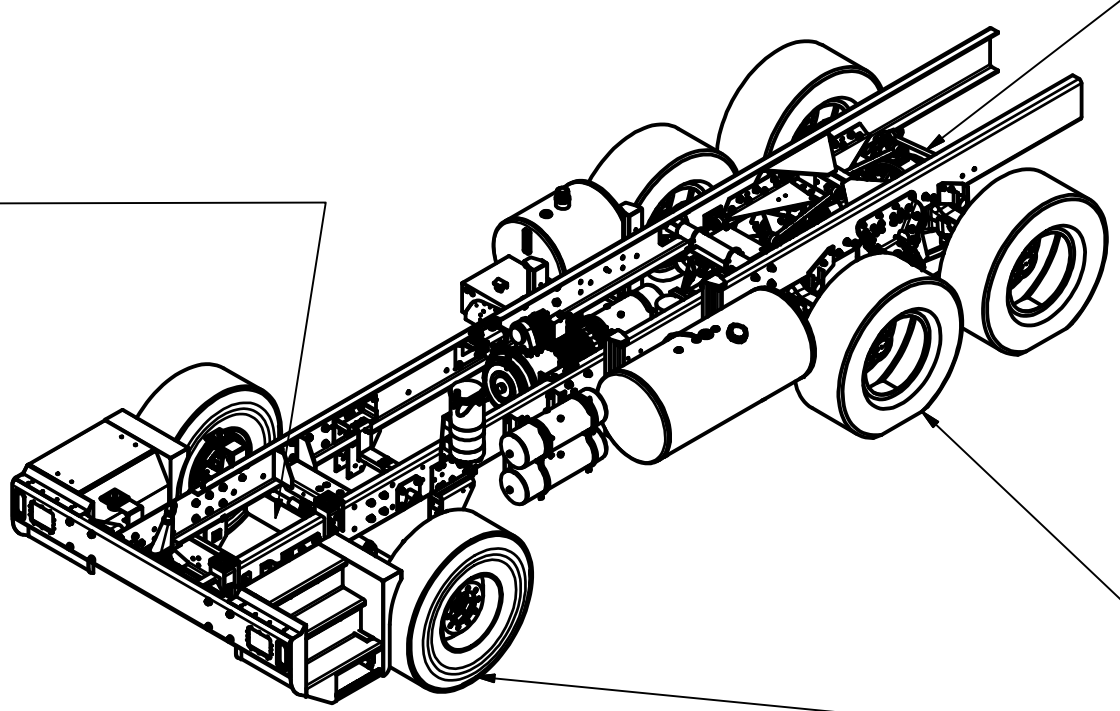
**Rear
Axles**

**Poly Wear
Pad Kits**

**Brake
Shoes**

**Leaf
Springs**

**Wheels &
Tires**



2014 Cab Elements

Back

Home

Joystick

**Glass
Gen 2**

Heating & A/C

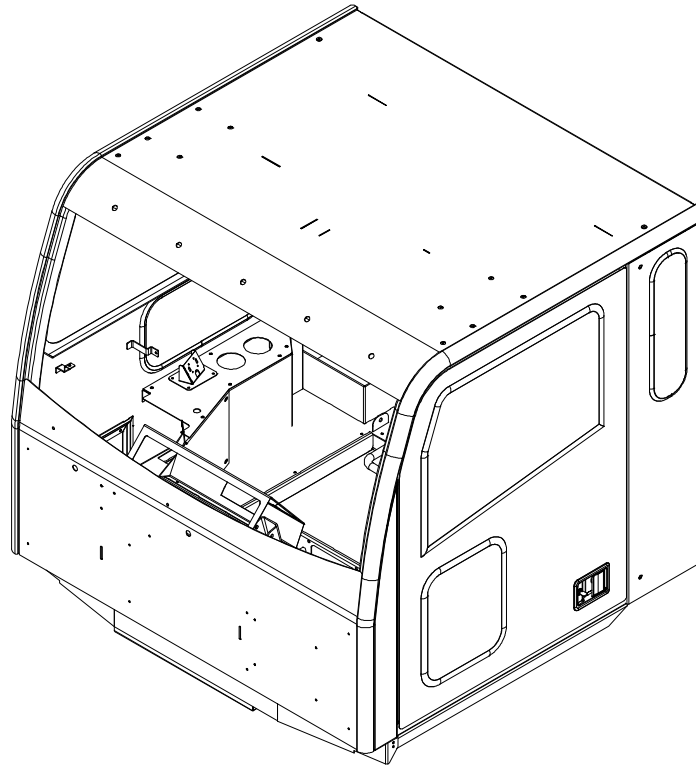
Units #A1001-A1002

**Glass
Gen 3**

Seat

Heating & A/C

Units #A1003-A1006



**Trans
Shifter**

More

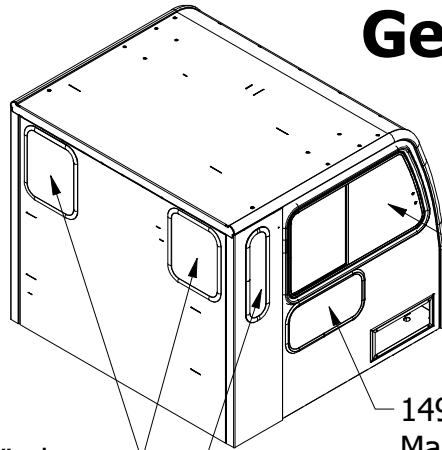
Stinger 8500 Stacker

[Back](#)

[Home](#)

Glass & Seals Gen 2 Able Cab

Units # A1000-A1003

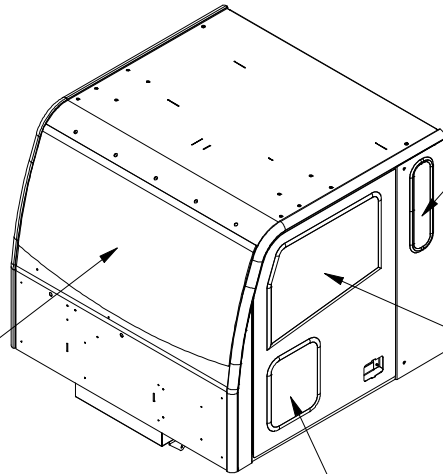


Sliding Glass Window for
Emergency Exit

1490-8063 Lower RH Side
Manufacturer part #172-2305-001
14907724 Rubber Window Trim
Manufacturer Part # 284A-0051

1490-8048 Back Windows
Manufacturer part #172-9140-001
14907724 Rubber Window Trim
Manufacturer Part # 284A-0051

1490-5992 Rear Pillar Window
Manufacturer part #172-2303-001
14907724 Rubber Window Trim
Manufacturer Part # 284A-0051



1490-5992 Rear Pillar Window
Manufacturer part #172-2303-001
14907724 Rubber Window Trim
Manufacturer Part # 284A-0051

1490-5987 Upper Door Window
Manufacturer part #172-9152-001
14907724 Rubber Window Trim
Manufacturer Part # 284A-0051

1490-6571 Cab Windshield Gen 2
Manufacturer part #172-1104-001

1490-8048 Lower Door Window
Manufacturer part # 172-9140-001
14907724 Rubber Window Trim
Manufacturer Part # 284A-0051

18" (LH) Wiper Blade 1490-6699
24" (RH) Wiper Blade 1490-6700

8500 Engine & Pumps

Back

Home

Electrical

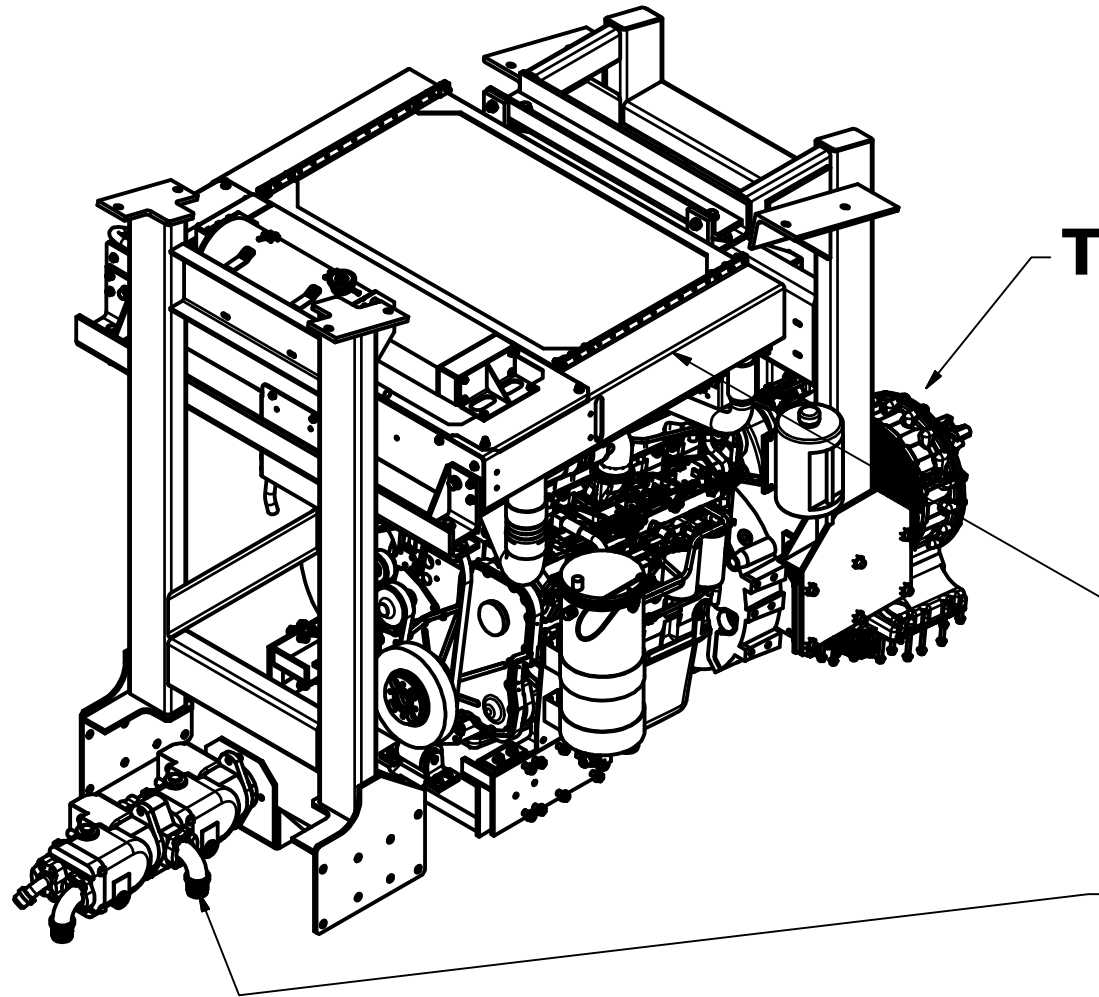
Transmission

Filters

Cooling System

Exhaust

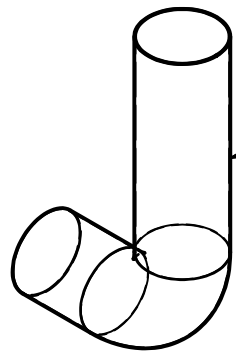
Hydraulic Pumps



Engine Exhaust

[Back](#)

[Home](#)



Turbo Exhaust Elbow Part #1490-6233



Exhaust V-Band Clamp Part #1490-5982



Turbo Exhaust Adapter Part #1490-6140

Engine Electrical

[Back](#)

[Home](#)

150 Amp Buzzanator Part #1490-4040

Main Disconnect Switch Part #1490-4911

Batteries are Group 31 (995 Cold Cranking Amps)



Engine Cooling System

[Back](#)

[Home](#)

Recovery Tank Assy (Tank W/Mounts & Sight Tube) **Part #1490-4562**

Recovery Tank (Plastic Tank, No Sight Tube) **Part #1490-4626**

Cap for Recovery Tank Part #1490-4614

Sight Glass for Surge Tank (Metal Tank) **Part #1490-5393**

Coolant should be replaced every 2000 hrs with a 50/50 mixture (50qts)

Transmission Components

Back

Home

Transmission is an Allison 4000 RDS 6-speed

Gen 5 Shifter Part # 1490-6422

(No detent spring required)

**Joystick
Control**

Transmission Components

Back

Home

Transmission is an Allison RDS 3000 6-speed

Gen 5 Shifter Part # 1490-6422

(No detent spring required)

**Joystick
Control**

Transmission Components

[Back](#)

[Home](#)

Transmission is an Allison RDS 3000 6-speed

6-Speed Gen. 4 Shifter Part #1490-5295

(S/N 393 thru 759, No Pigtail)

6-Speed Gen. 5 Shifter Part #1490-6422

(S/N 760 on, No Pigtail, No Detent Spring)

Detent Spring for Shifter

Part #1490-5332

(Used on Gen 3 & Gen 4 Shifters)

**Joystick
Control**

Hydraulic Pump Components

[Back](#)

[Home](#)

Double PVG 100 Pump Set #1490-6272

Pump Seal Kit Part #1490-5480 2 required

Pump Seal Kit Part #1490-6933 2 required

Pump Front Shaft Seal #1490-5632

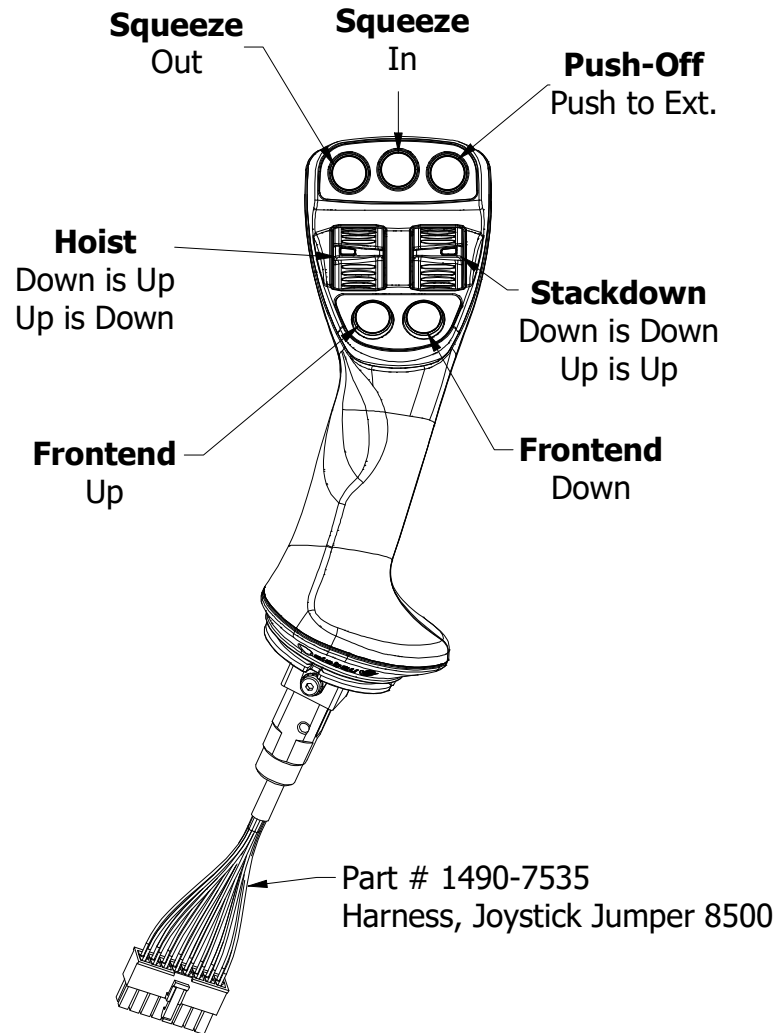
Pump Drive Shaft Part #1490-6881

1350 Pump Drive Engine Flange Yoke Part #1490-6390

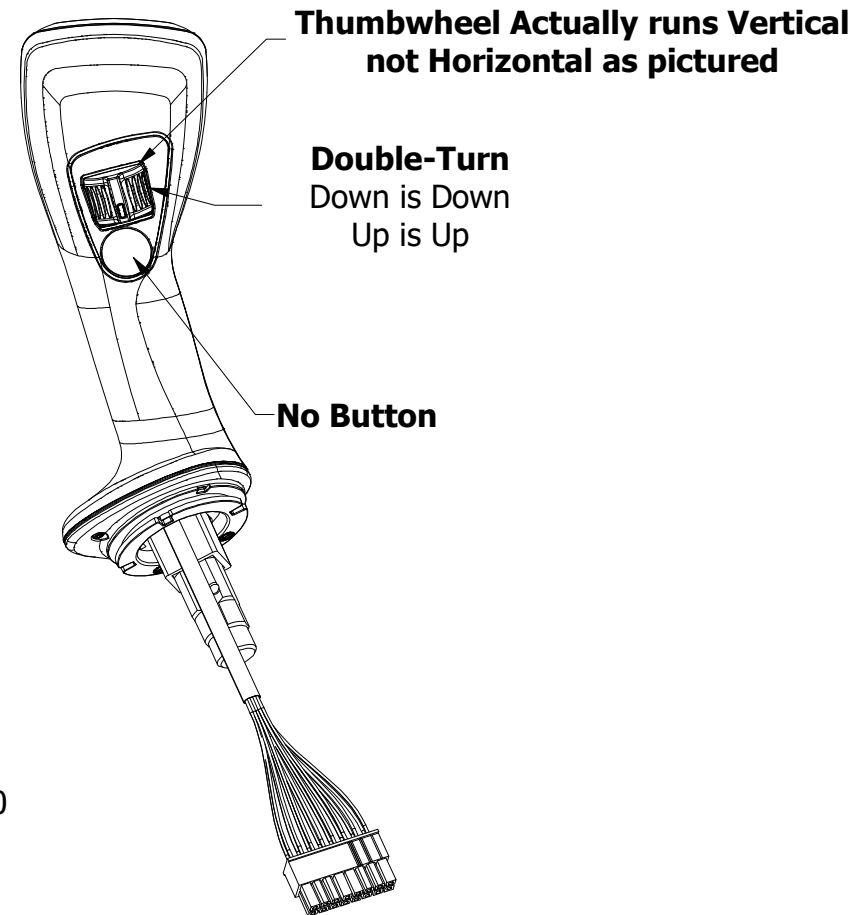
1350 Pump Drive U-Joint With Grease Zerk Part #1490-6788

8500 Joystick Control 1490-6584

Back



Home



Seat Components

Back

**Standard SST Hi-Back Seat
W/ TLV Air Suspension
Part # 1490-5880**

Home

**Adjustable Shock W/Control
Cable
Part # 1490-5949**

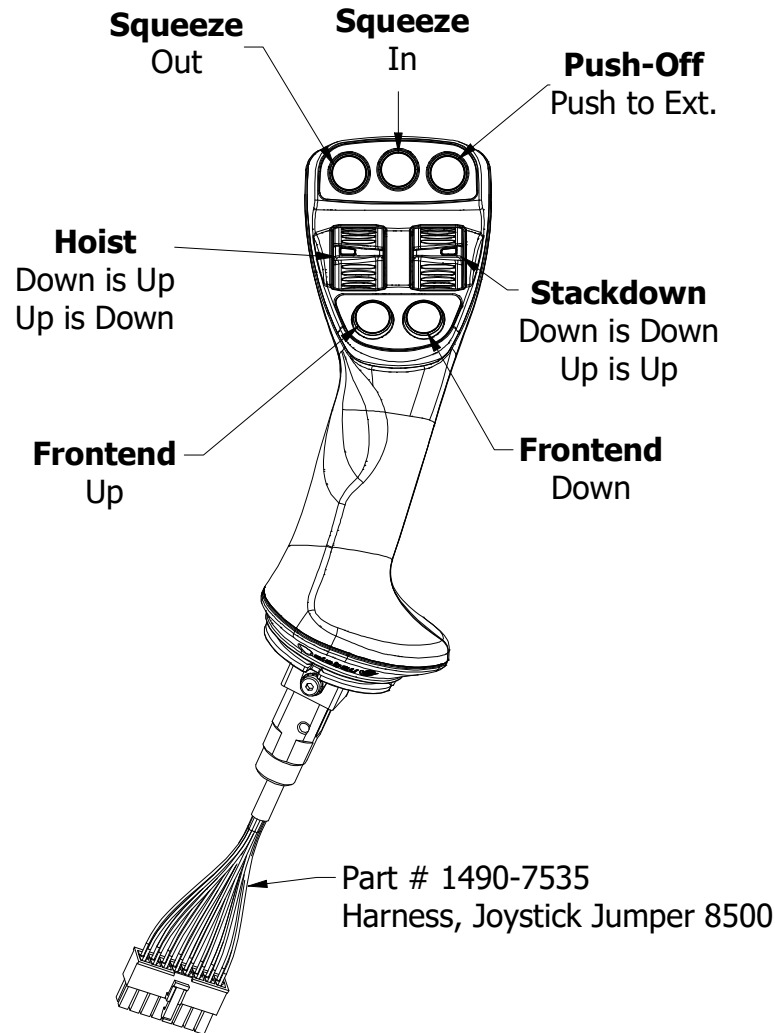
**Non-adjustable Shock
W/Bushings
Part # 1490-5948**

**Seat Air Pump W/Brass Fittings
Part # 1490-5991**

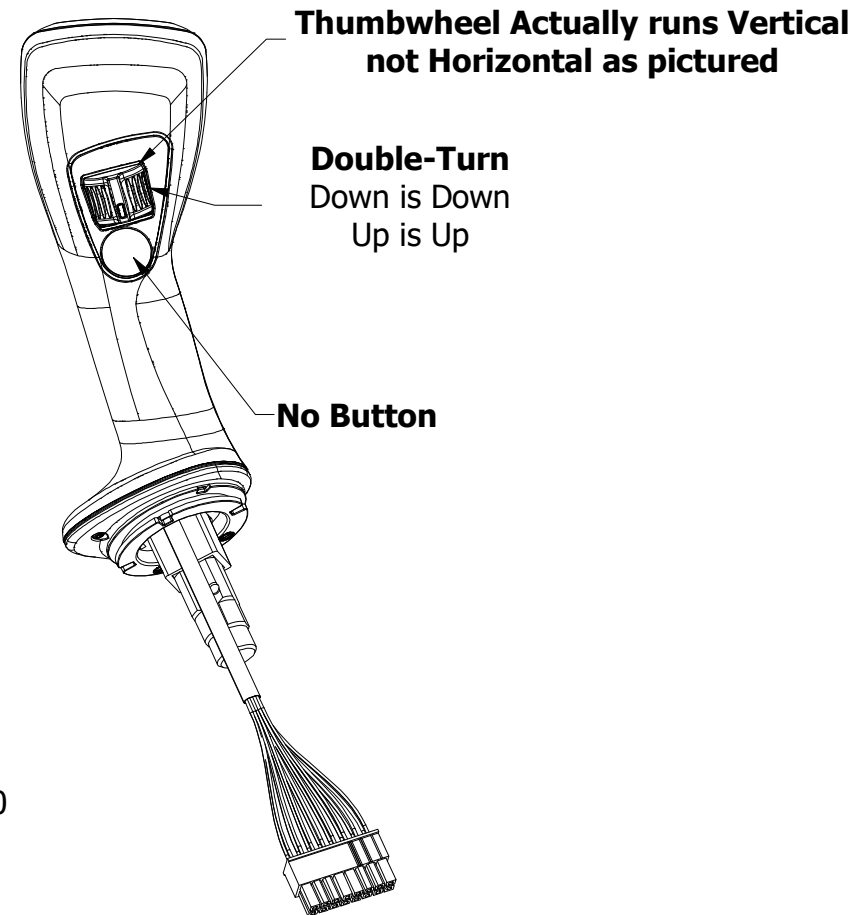
**Non-adjustable Shock Only
Part # 1490-5852**

8500 Joystick Control 1490-6584

Back



Home



Stinger 8500 Unit Assy

Back

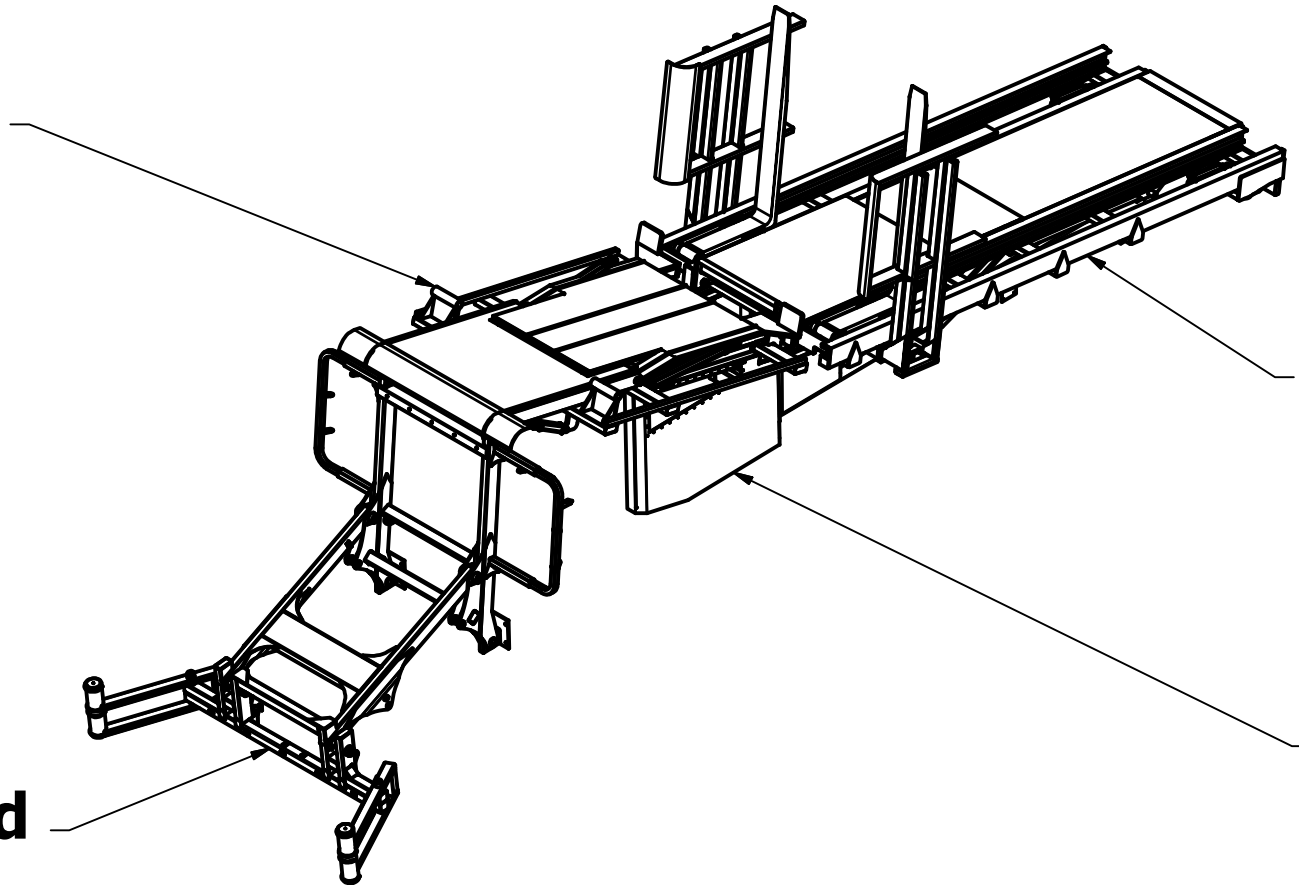
Home

**Upper
Deck**

Stackframe

Frontend

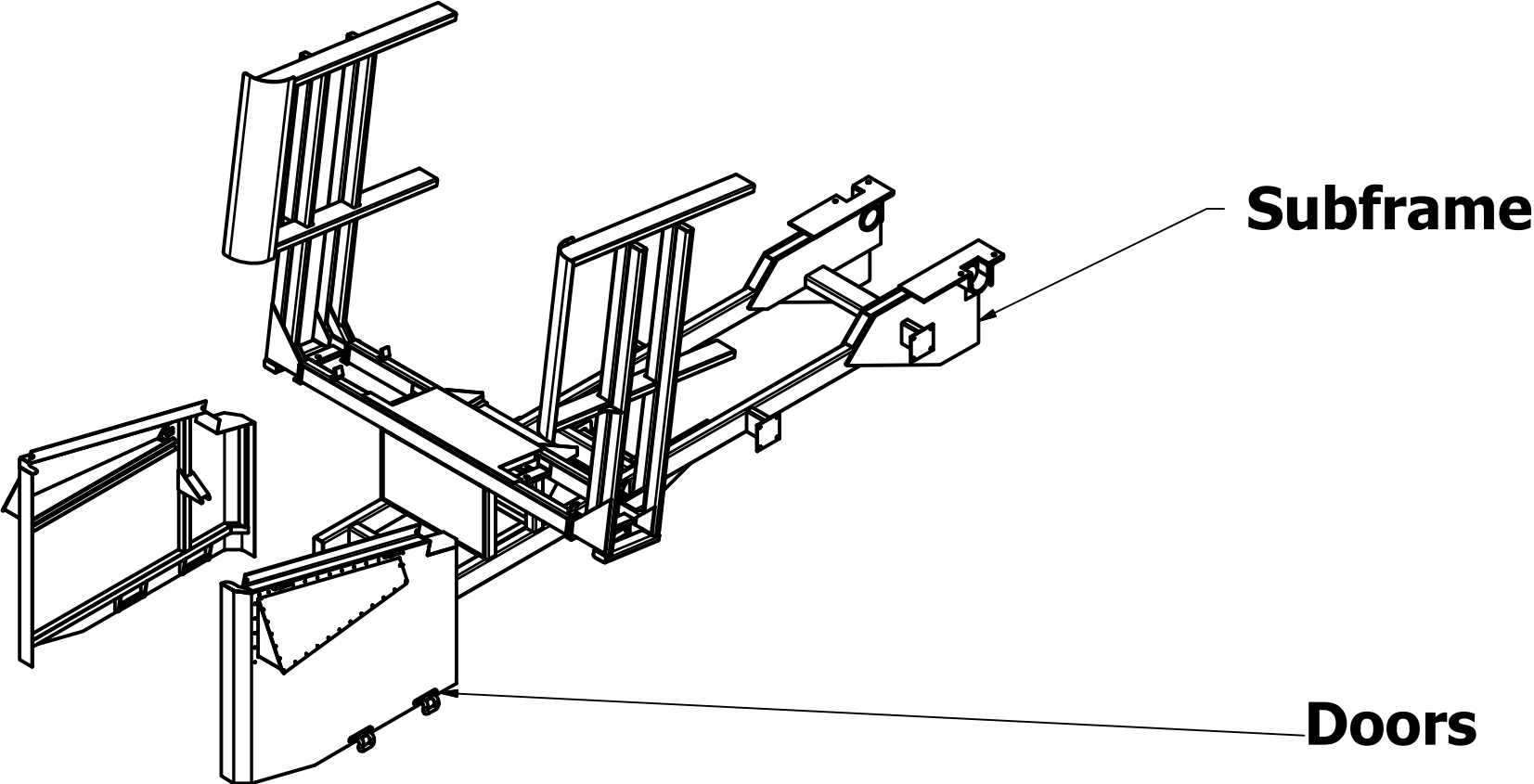
**Subframe
& Doors**



Subframe & Door Index

Back

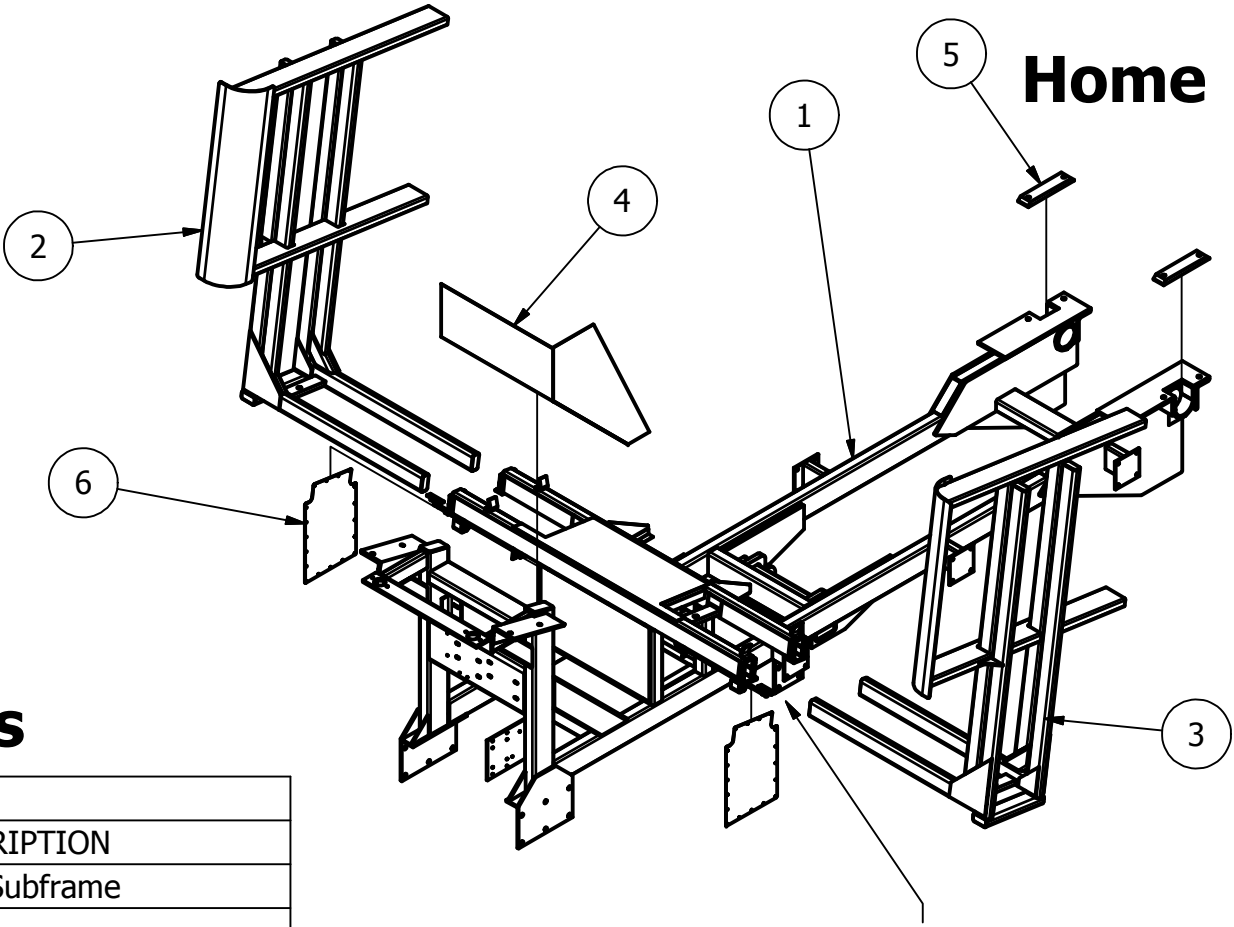
Home



CCC 8500 Subframe

Back

Home



Squeeze Arm Poly Liners & Wear Plates

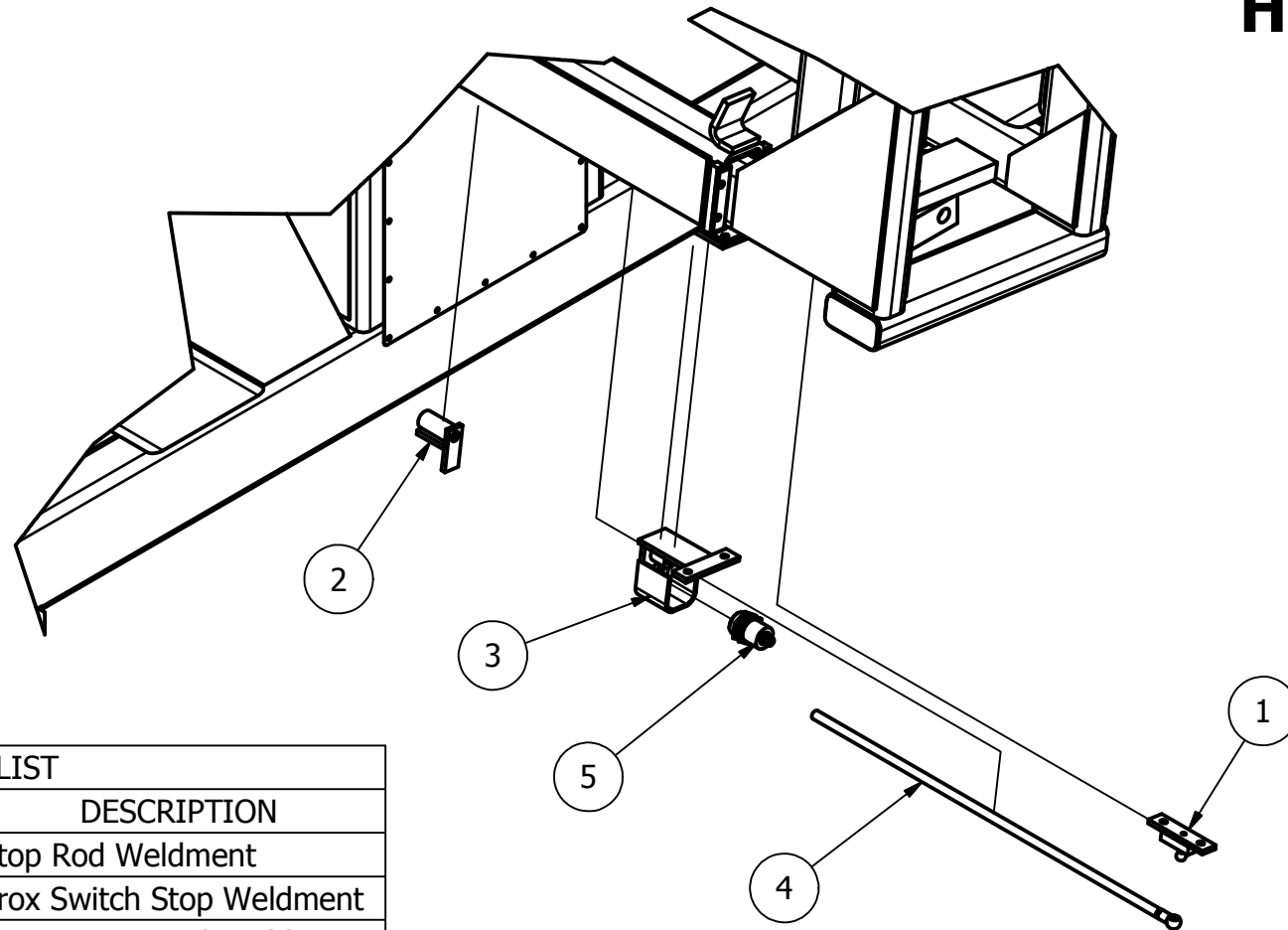
Squeeze Arm Prox Guide

PARTS LIST			
ITEM	QTY	PART NUMBER	DESCRIPTION
1	1	8560A2	8500 Series Rear Subframe
2	1	8560A10	RH Squeeze Arm
3	1	8560A11	LH Squeeze Arm
4	1	8560A53	8500 Subframe Shield
5	2	8560A52	Stackframe Pivot Holddown Weldment
6	2	8560-432	Condenser Intake Side Screen

8500 Squeeze Arm Prox Guide

Back

Home

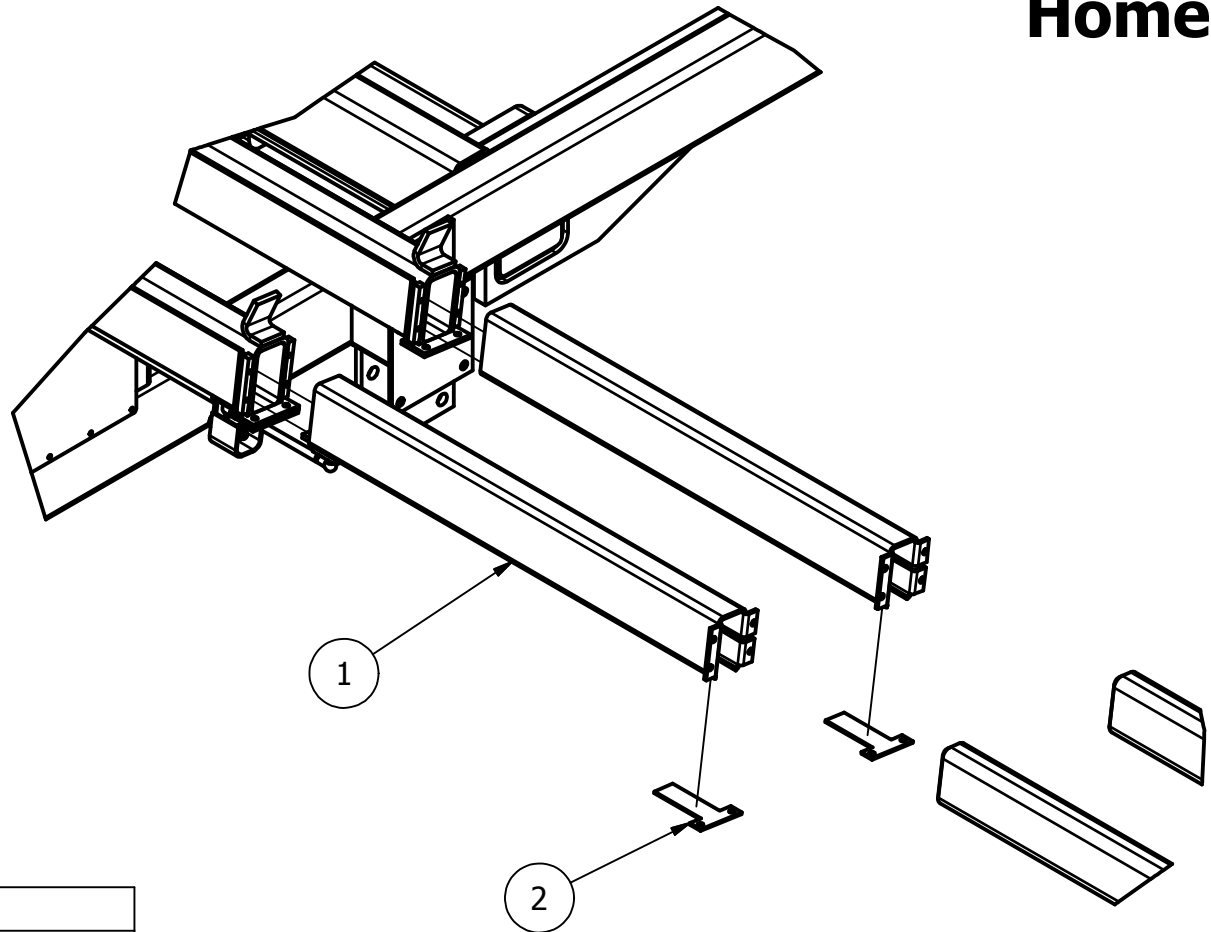


PARTS LIST			
ITEM	QTY	PART NUMBER	DESCRIPTION
1	2	8560A36	Stop Rod Weldment
2	2	8560A27	Prox Switch Stop Weldment
3	2	8560A26	8500 Prox Switch Holder
4	2	8560A25	Stop Rod Weldment
5	2	1490-5667	Prox Switch W/QD at switch

8500 Squeeze Arm Poly Liners & Wear Plates

[Back](#)

[Home](#)



PARTS LIST			
ITEM	QTY	PART NUMBER	DESCRIPTION
1	4	2460-331	36" Squeeze Poly Liner
2	4	2460-328	Squeeze Wear Plate

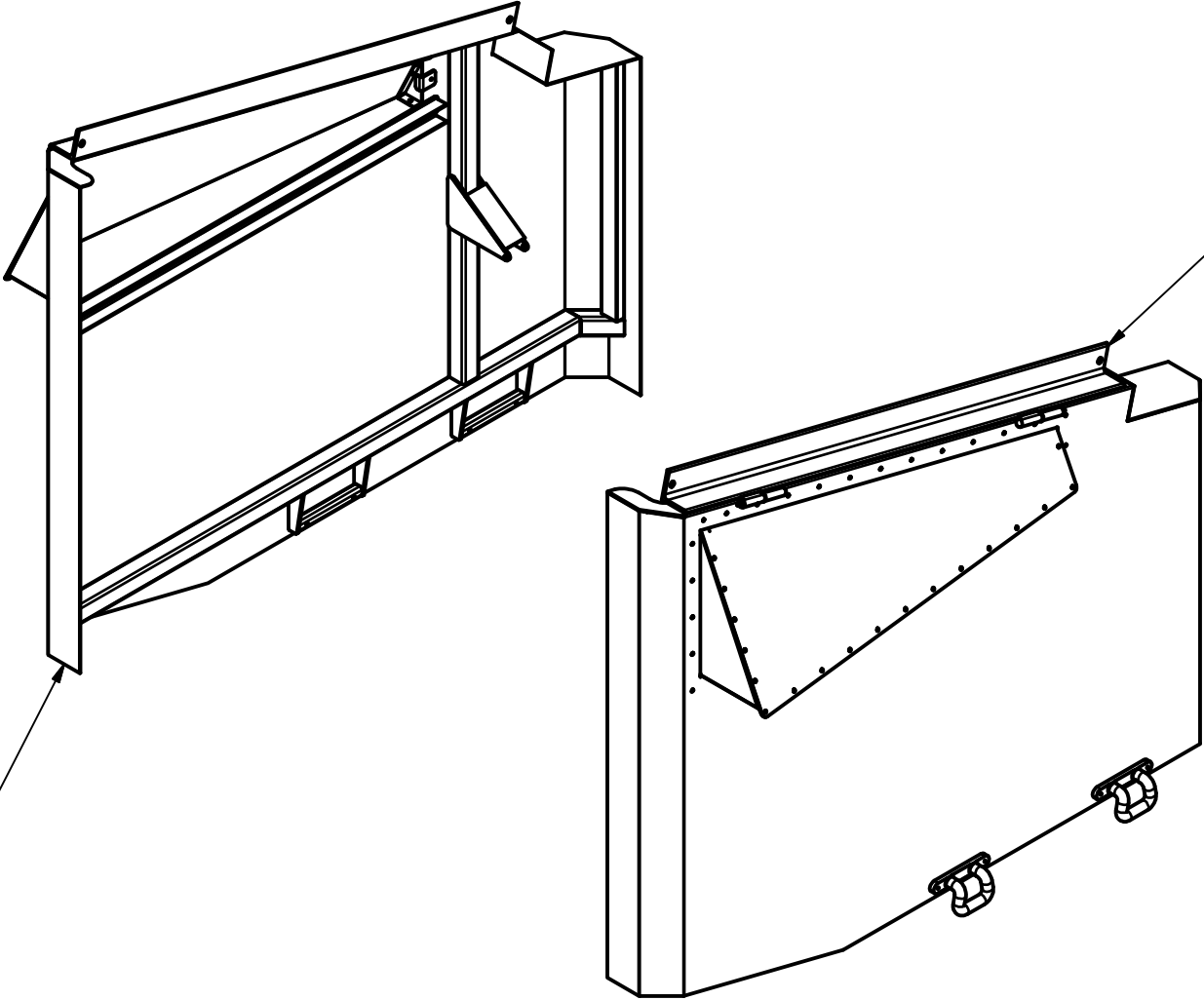
Stinger 8500 CCC Chassis

Back

Home

RH Door

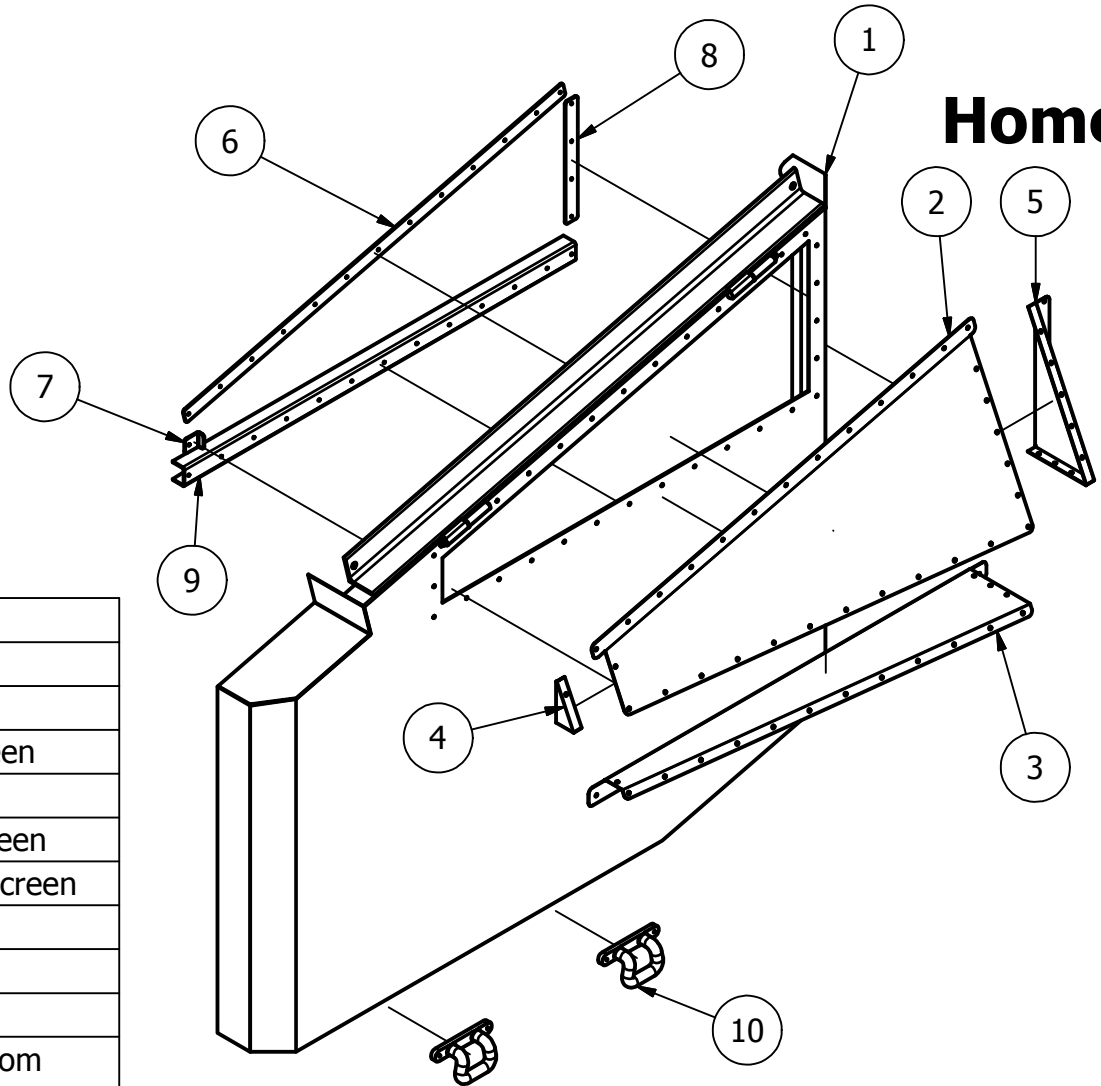
LH Door



CCC 8500 RH Door

Back

Home

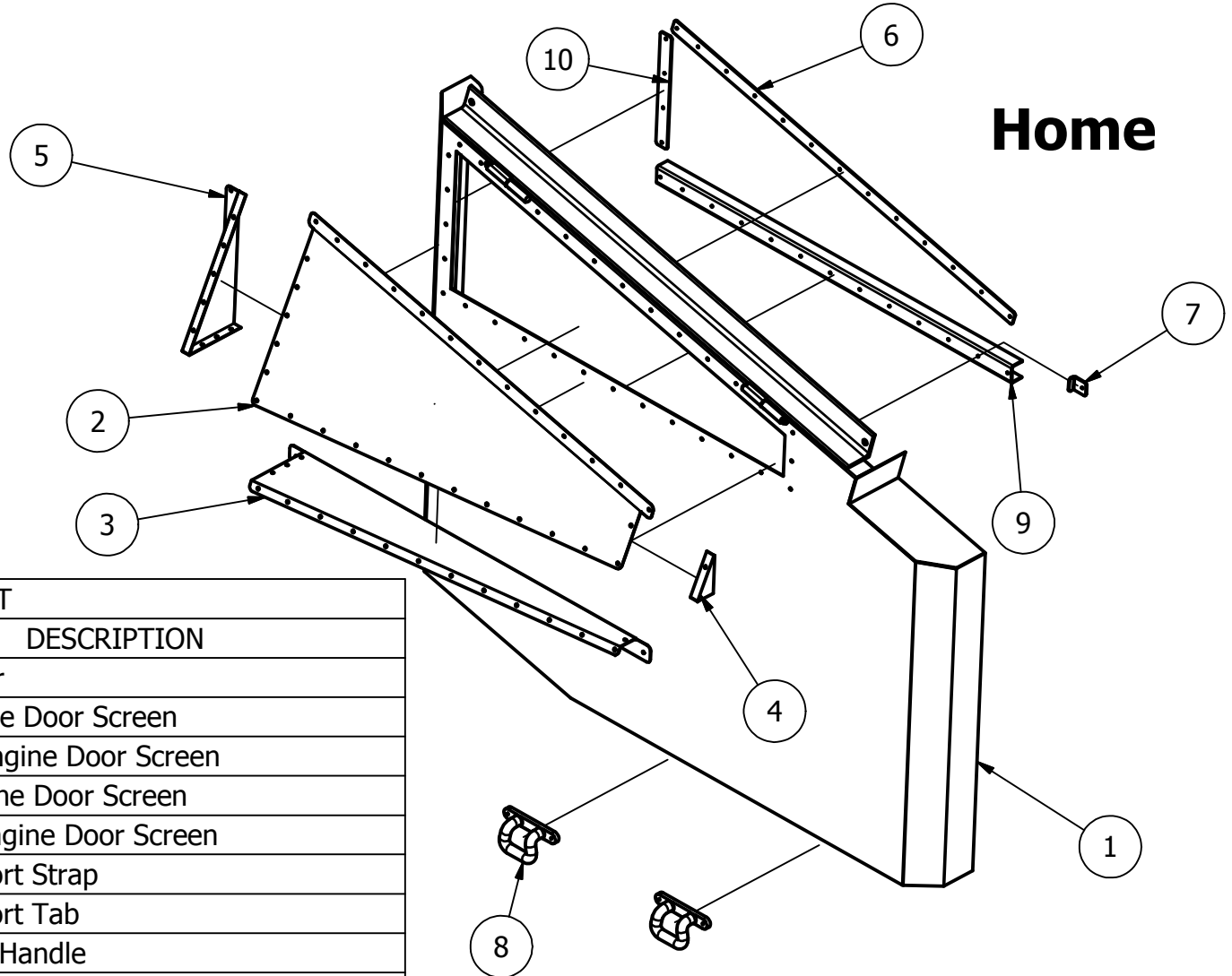


PARTS LIST			
ITEM	QTY	PART NUMBER	DESCRIPTION
1	1	8560A21	8500 RH Door
2	1	8560-457RH	RH Top Engine Door Screen
3	1	8560-458RH	RH Bottom Door Screen
4	1	8560-459RH	RH Rear Engine Door Screen
5	1	8560-460RH	500 Series Engine Door Screen
6	1	8560-461	Screen Support Strap
7	1	8560-462	Screen Support Tab
8	1	8560-463	Screen Support Strap
9	1	6550-304	Tandem Series 6500 Bottom Screen Support
10	2	14904243	Molded Grab Handle

CCC 8500 LH Door

Back

Home



PARTS LIST

ITEM	QTY	PART NUMBER	DESCRIPTION
1	1	8560A21	8500 LH Door
2	1	8560-457LH	LH Top Engine Door Screen
3	1	8560-458LH	LH Bottom Engine Door Screen
4	1	8560-459LH	LH Rear Engine Door Screen
5	1	8560-460LH	500 Series Engine Door Screen
6	1	8560-461	Screen Support Strap
7	1	8560-462	Screen Support Tab
8	2	14904243	Molded Grab Handle
9	1	6550-304	Tandem Series 6500 Bottom Screen Support
10	1	8560-463	Screen Support Strap

Stinger 6500 Stacker

Back

Home

**Push-Off
Table**

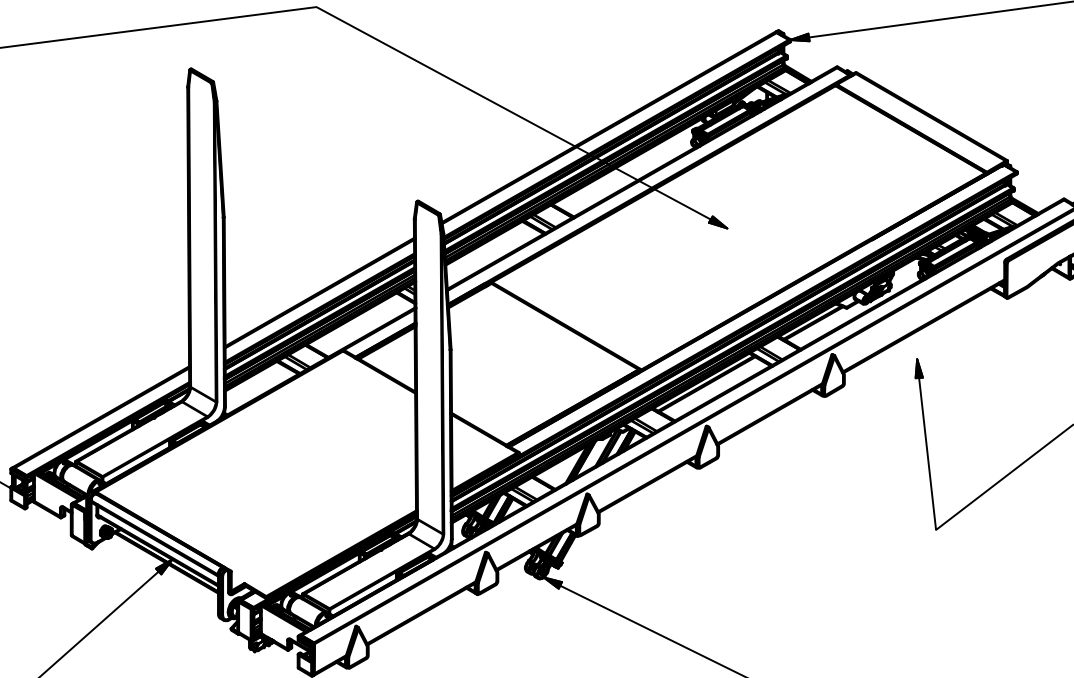
**Stackframe
Assy**

**Fork
Trolley**

**Chain Drive
Components**

Pull-Bar

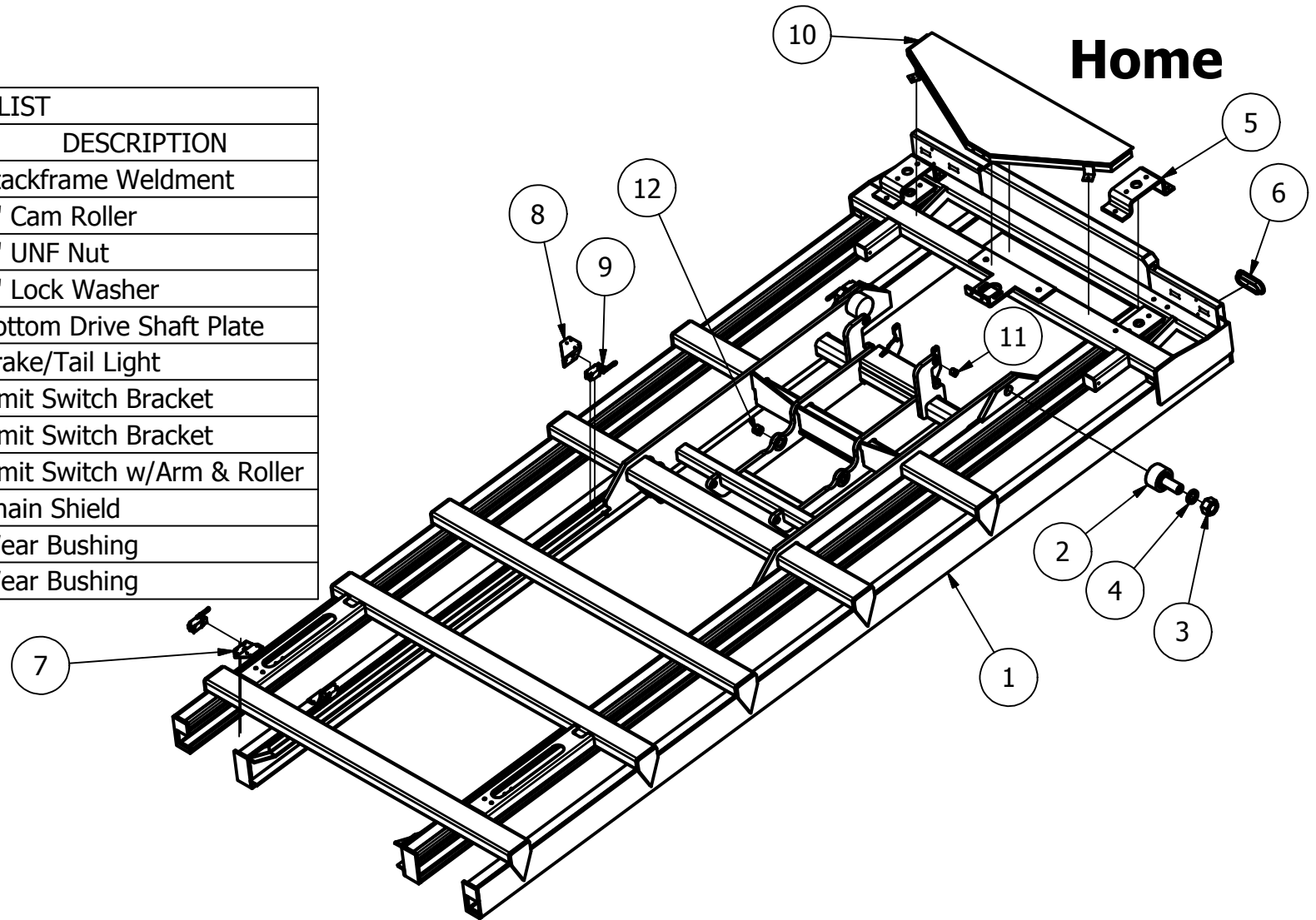
**Rear Hydraulic
Cylinders**



8500 Stackframe Assy

Back

PARTS LIST			
ITEM	QTY	PART NUMBER	DESCRIPTION
1	1	8560A1	Stackframe Weldment
2	2	1490-6916	5" Cam Roller
3	2	Hex Nut	2" UNF Nut
4	2	Lock Washer	2" Lock Washer
5	2	8560-150	Bottom Drive Shaft Plate
6	4	1490-6188	Brake/Tail Light
7	3	8560-321	Limit Switch Bracket
8	1	2410-509	Limit Switch Bracket
9	4	1490-4958	Limit Switch w/Arm & Roller
10	1	8560A31	Chain Shield
11	4	14902030	Wear Bushing
12	2	1490-4055	Wear Bushing



8500 Trolley Chain Drive

Back

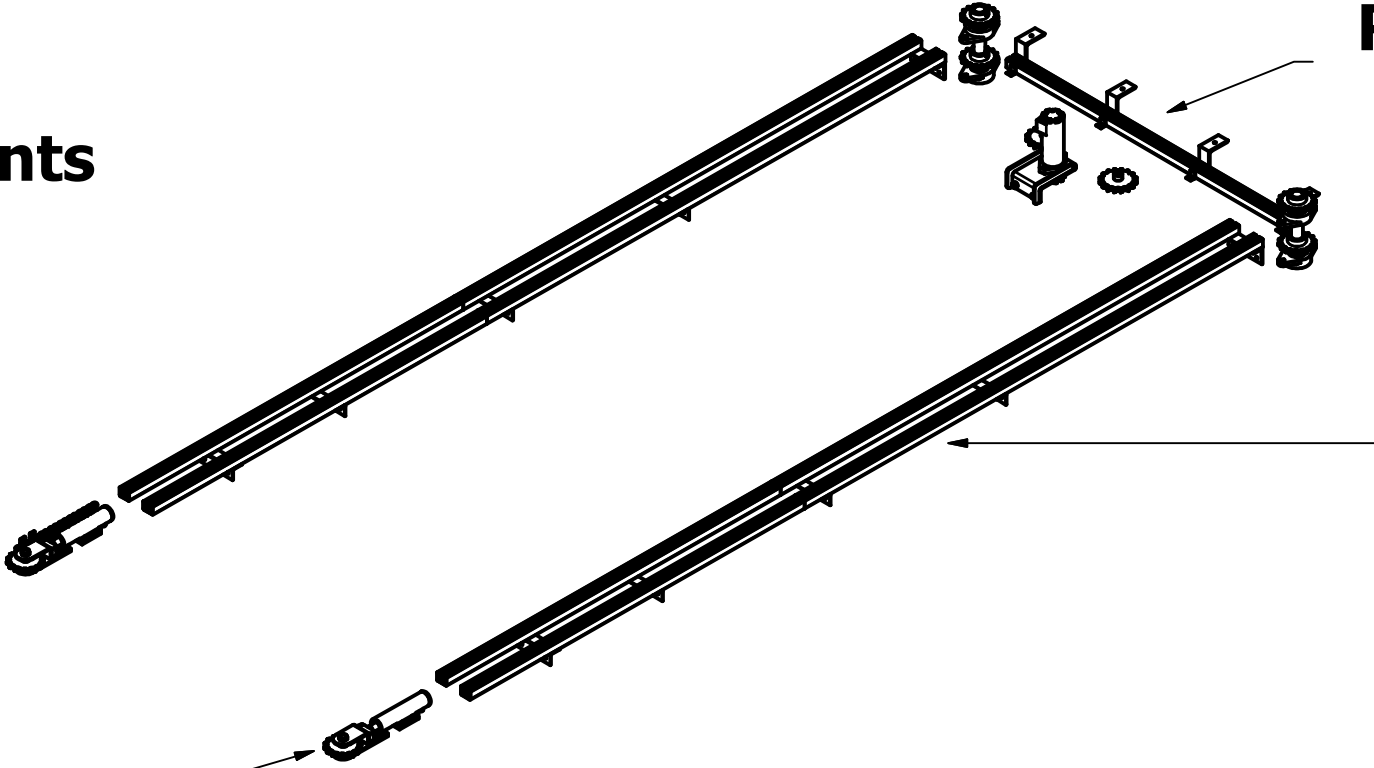
Home

Chain Components

Rear Drive Section

Chain Guide

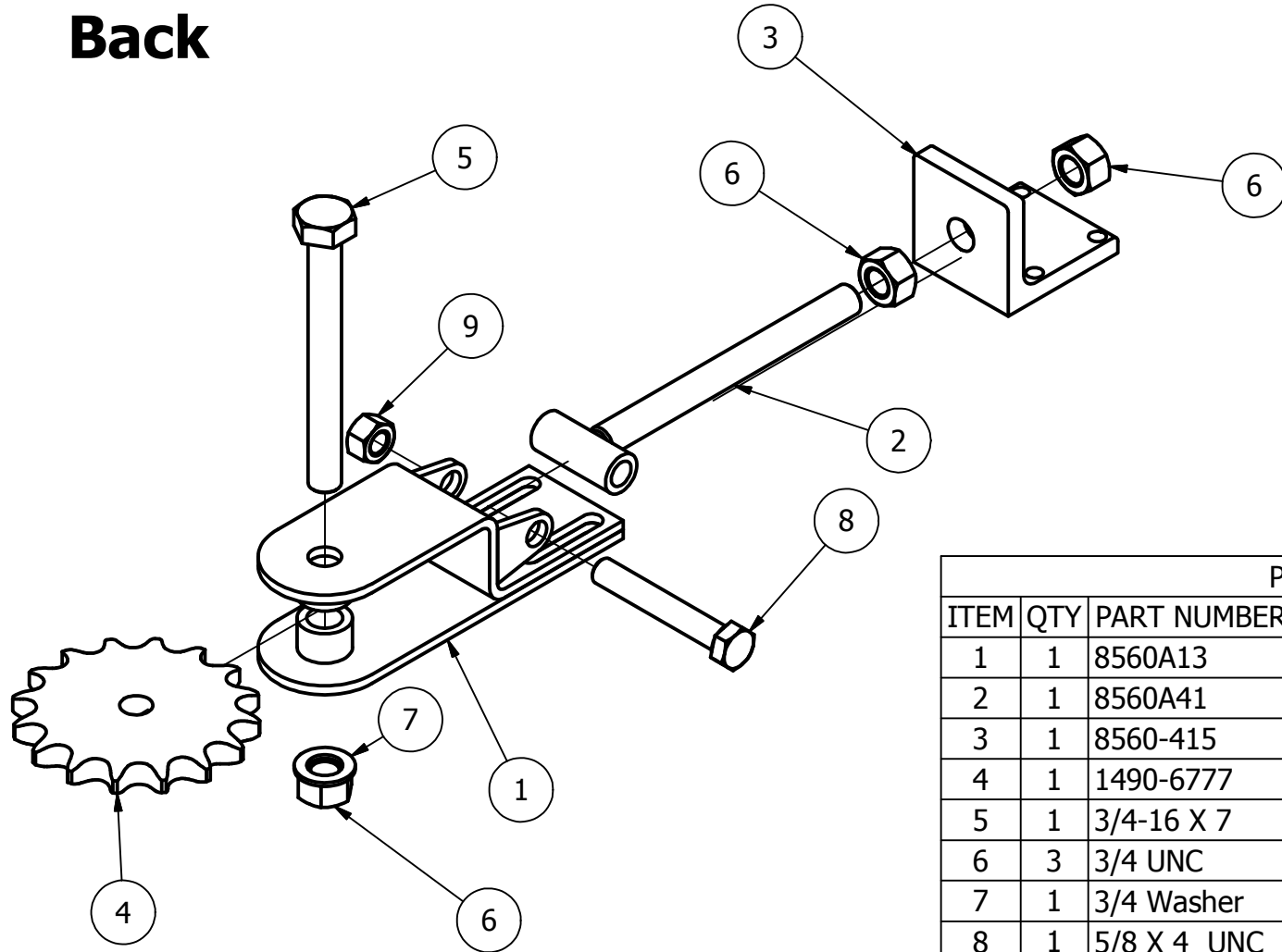
Chain Tensioner



8500 Chain Tensioner

Back

Home

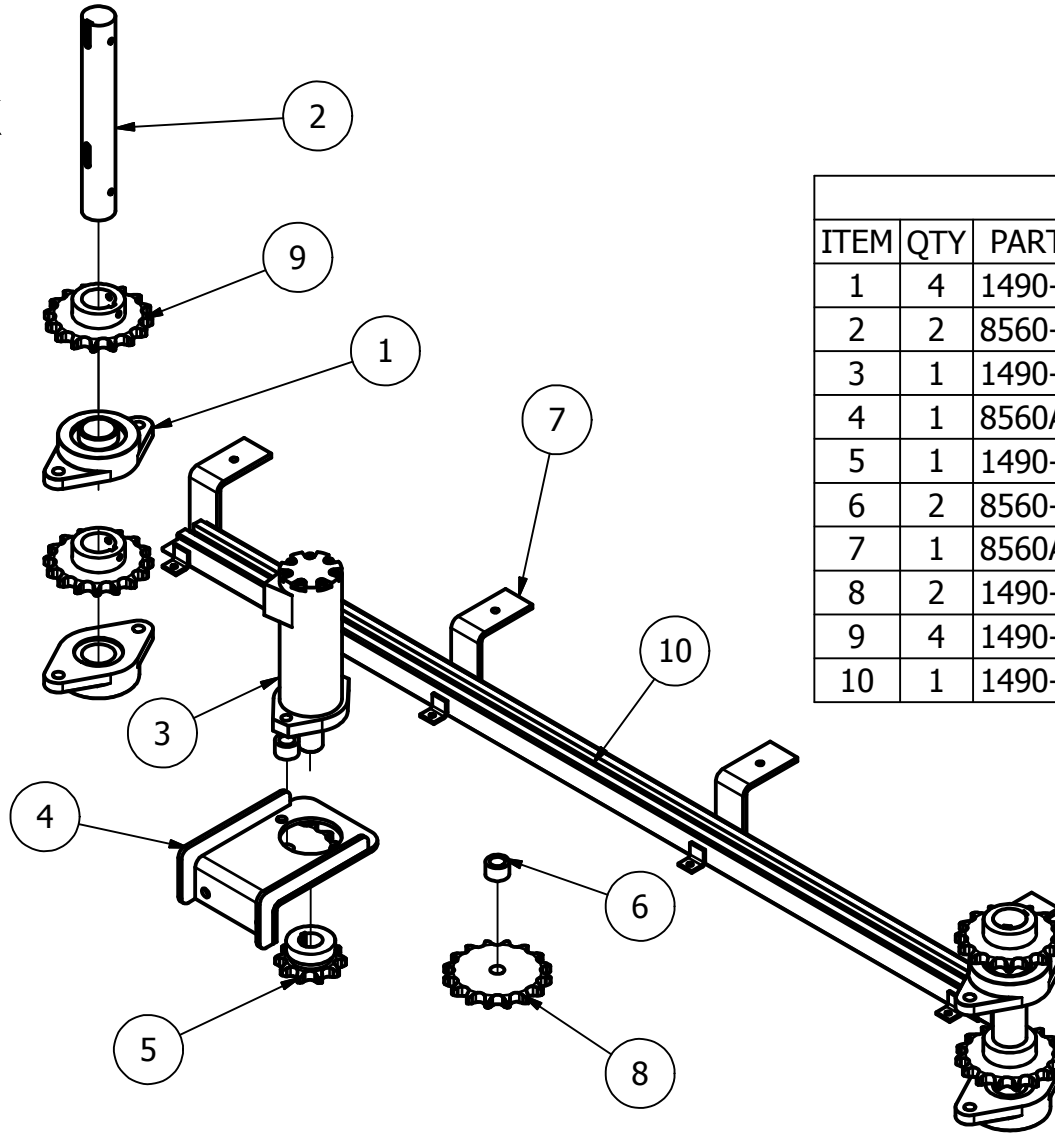


PARTS LIST			
ITEM	QTY	PART NUMBER	DESCRIPTION
1	1	8560A13	Chain Tentioner Weldment
2	1	8560A41	Chain Tentioner T-Bolt Weldment
3	1	8560-415	Chain Tentioner Base Angle
4	1	1490-6777	3/4 ID 16T Idler Sprocket
5	1	3/4-16 X 7	Hex Bolt
6	3	3/4 UNC	Hex Nut
7	1	3/4 Washer	Standard Washer
8	1	5/8 X 4 UNC	Hex Bolt
9	1	5/8 UNC	Hex Nut

8500 Rear Chain Drive

Back

Home



PARTS LIST			
ITEM	QTY	PART NUMBER	DESCRIPTION
1	4	1490-6778	UCFL209 28 Flange Bearing
2	2	8560-124	Carrage Drive Shaft
3	1	1490-6988	Charlynn Drive Motor W/Encoder
4	1	8560A19	Drive Chain Tentioner
5	1	1490-6903	1-1/4 ID 10T Drive Sprocket
6	2	8560-252	Chain Tentioner Bushing
7	1	8560A29	Rear Chain Track Weldment
8	2	1490-6777	3/4 ID 16T Idler Sprocket
9	4	1490-6775	1-3/4 16T Driven Sprocket
10	1	1490-6927	Rear #80 Chain Track 60"

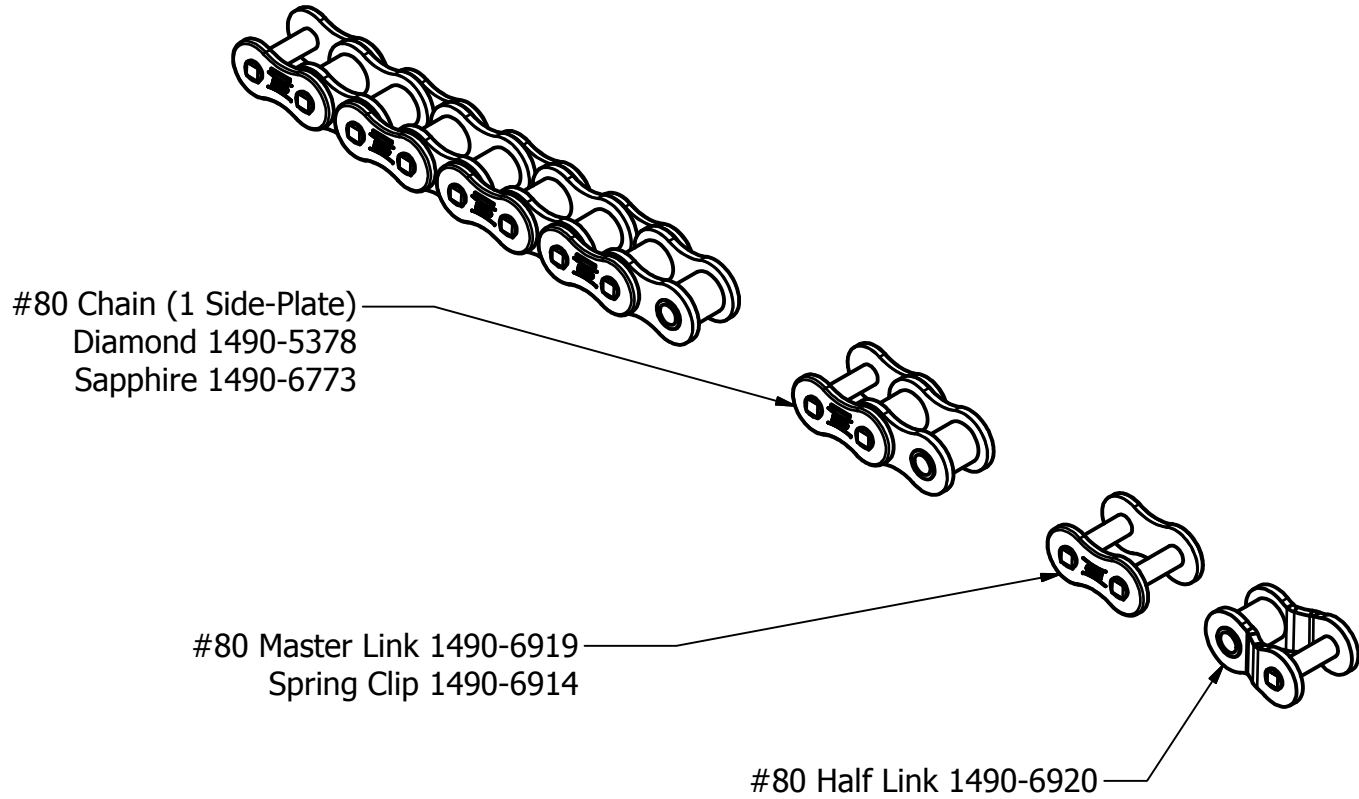
Drive Chain Components

Drive Chain Components

Back

The Drive Chain is 79 Side plates (158")
With 1 Master link and 4 Half links

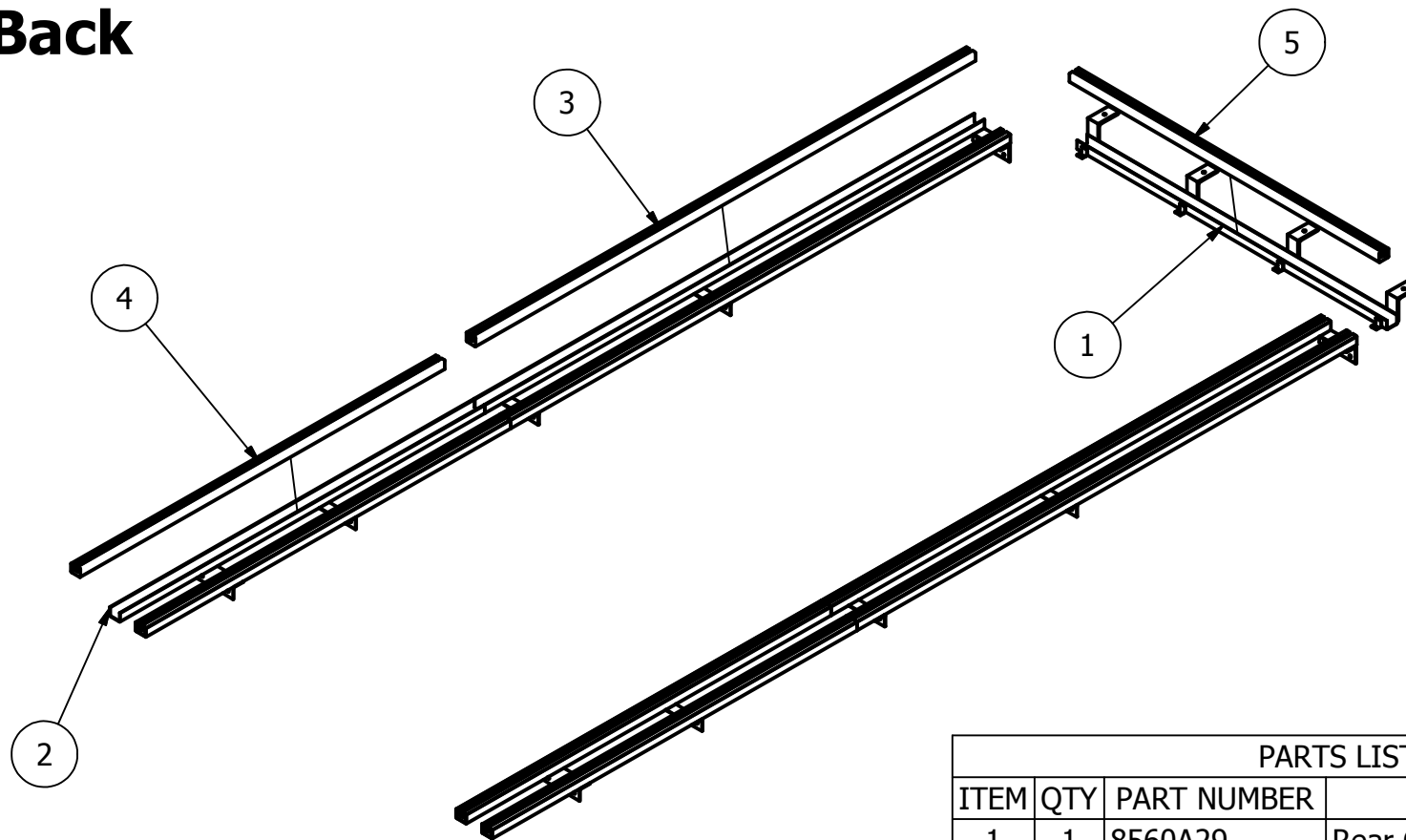
Home



8500 Chain Guide Components

Back

Home



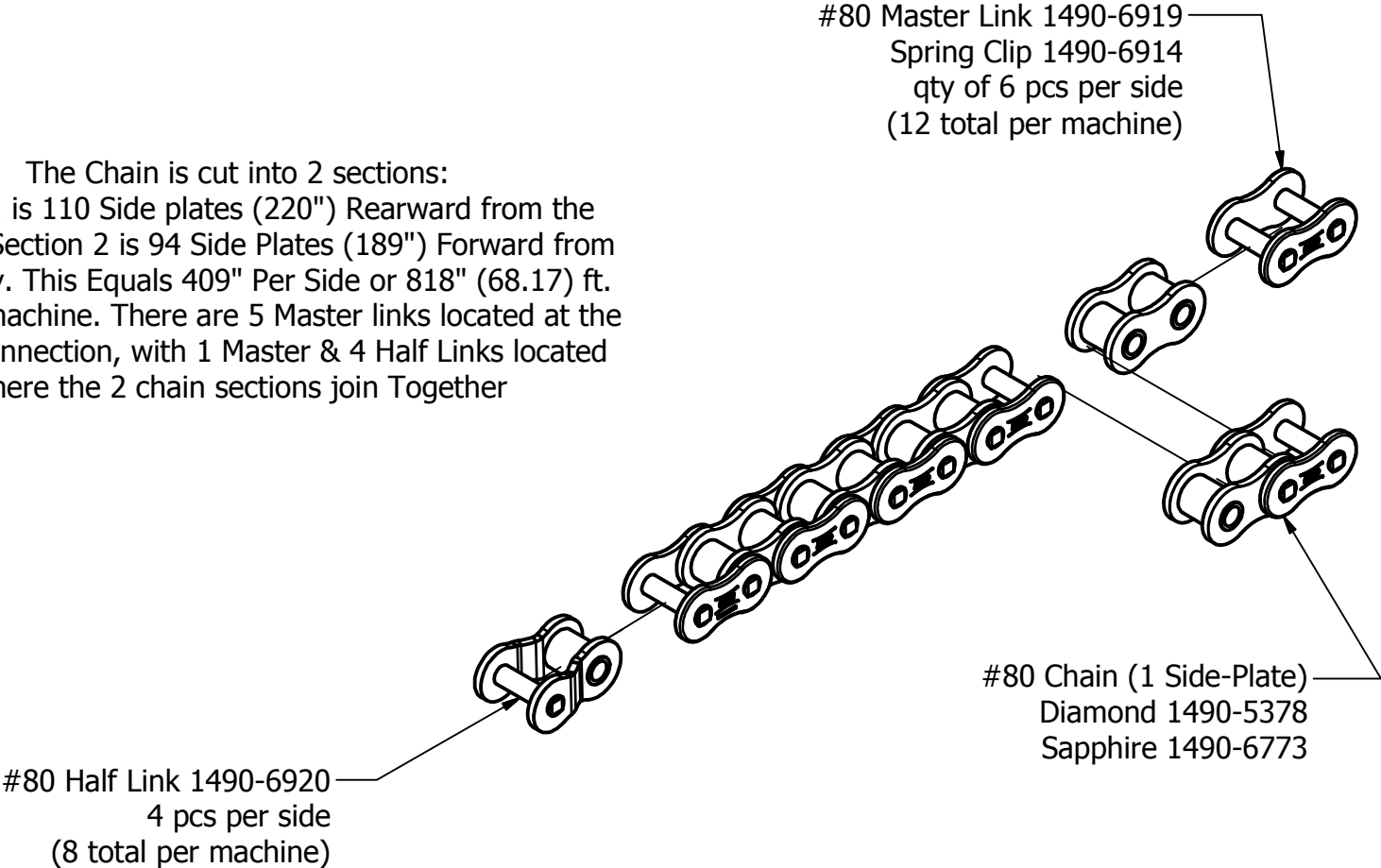
PARTS LIST			
ITEM	QTY	PART NUMBER	DESCRIPTION
1	1	8560A29	Rear Chain Guide Housing
2	2	8560A28	Chain Guide Housing
3	4	1490-6925	#80 Chain Track 96"
4	4	1490-6926	#80 Chain Track 70"
5	1	1490-6927	#80 Chain Track 60"

Chain Components

Back

Home

The Chain is cut into 2 sections:
Section 1 is 110 Side plates (220") Rearward from the Trolley & Section 2 is 94 Side Plates (189") Forward from the Trolley. This Equals 409" Per Side or 818" (68.17) ft. Total per machine. There are 5 Master links located at the Trolley Connection, with 1 Master & 4 Half Links located where the 2 chain sections join Together



8500 Push-Off Table

Back

Home

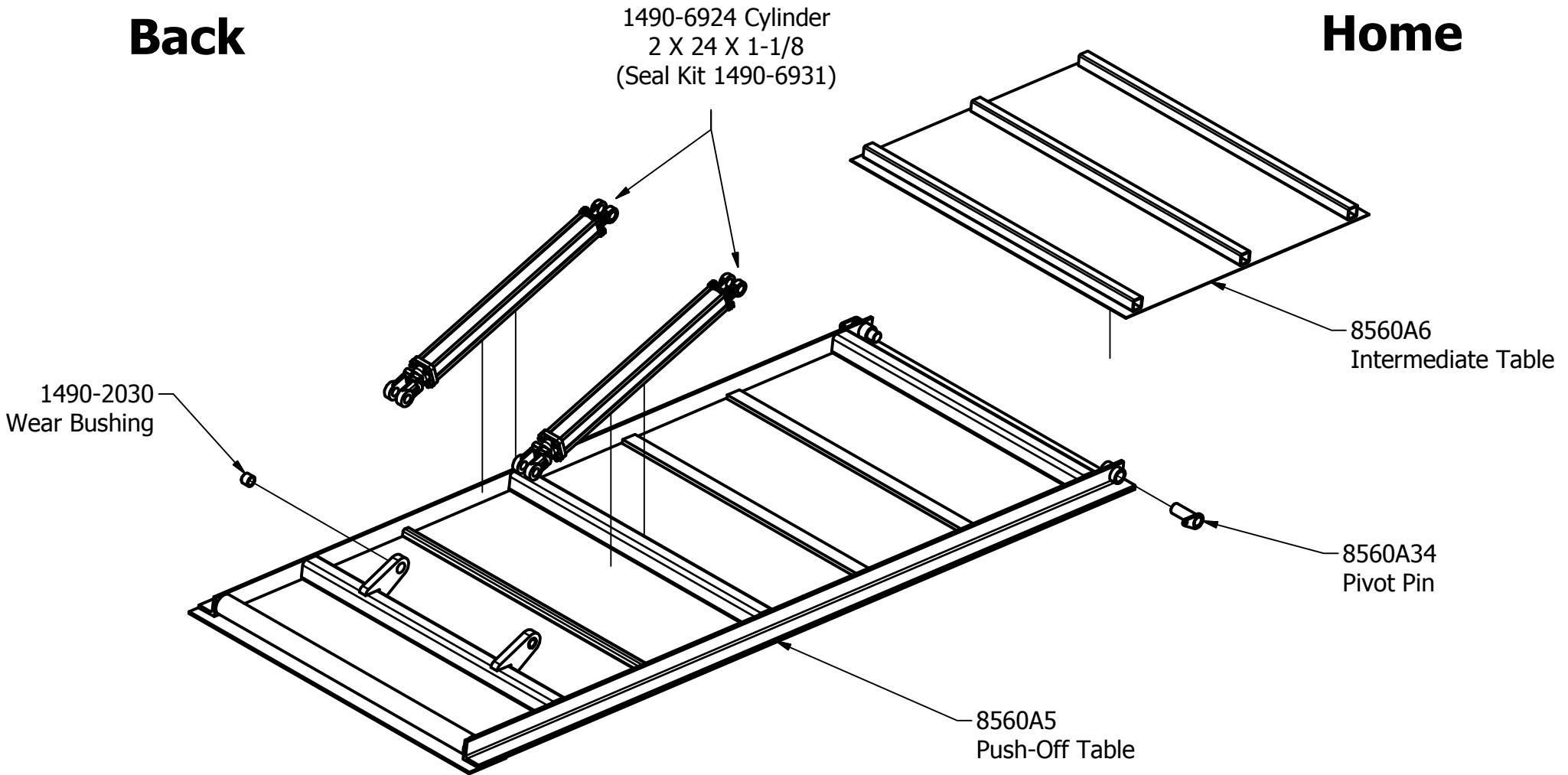
1490-6924 Cylinder
2 X 24 X 1-1/8
(Seal Kit 1490-6931)

1490-2030
Wear Bushing

8560A6
Intermediate Table

8560A34
Pivot Pin

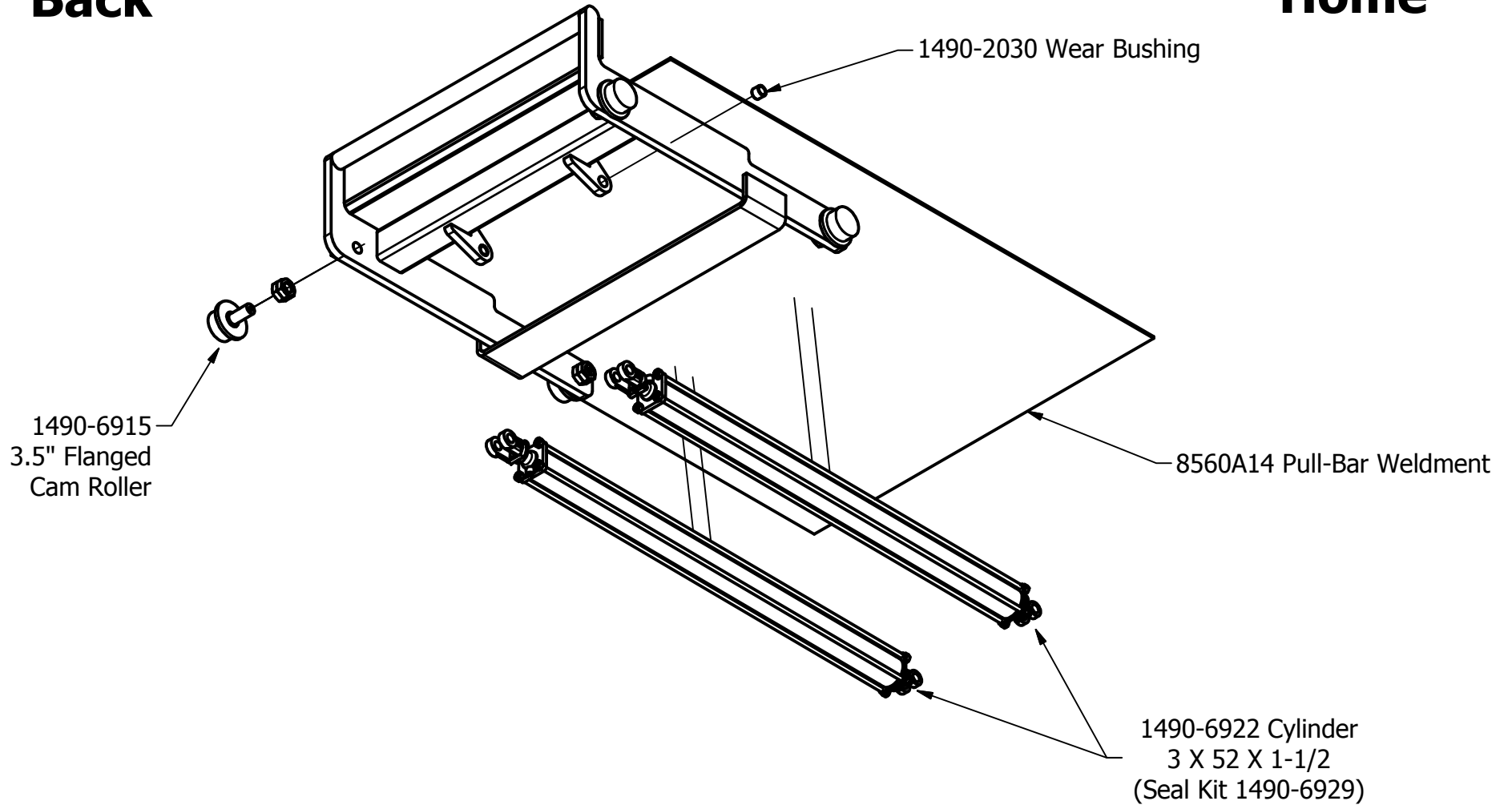
8560A5
Push-Off Table



8500 Pull-Bar 8560A14

Back

Home

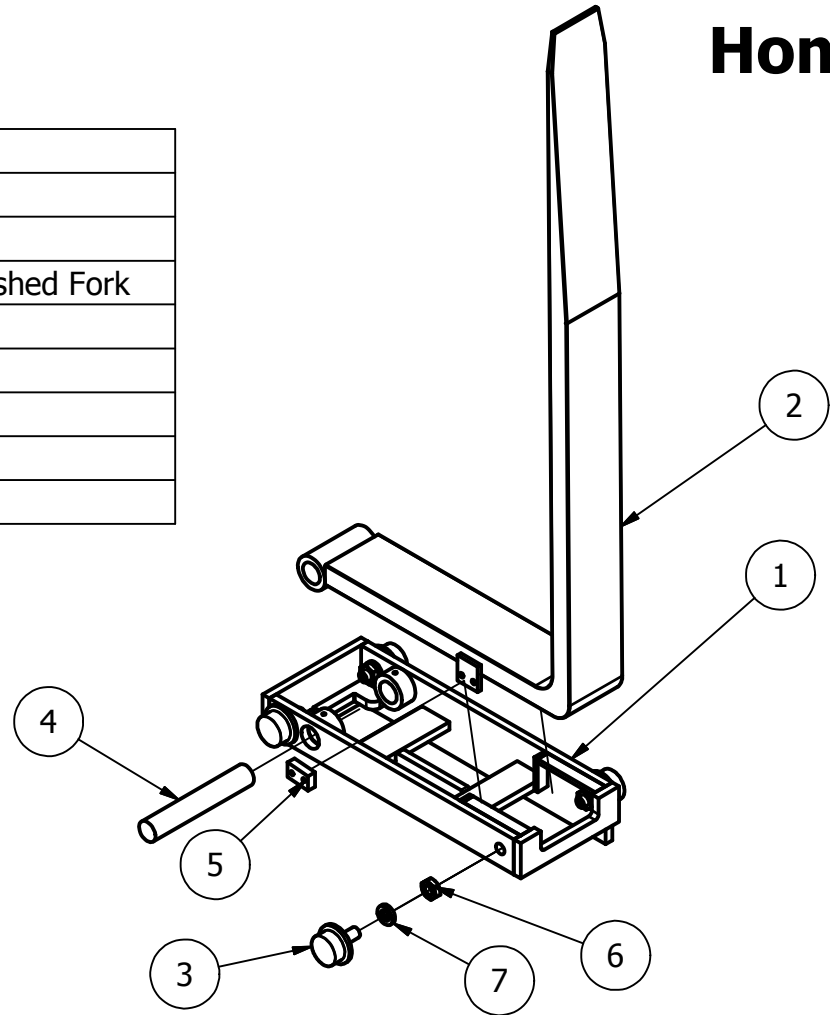


8500 Fork Trolley

Back

Home

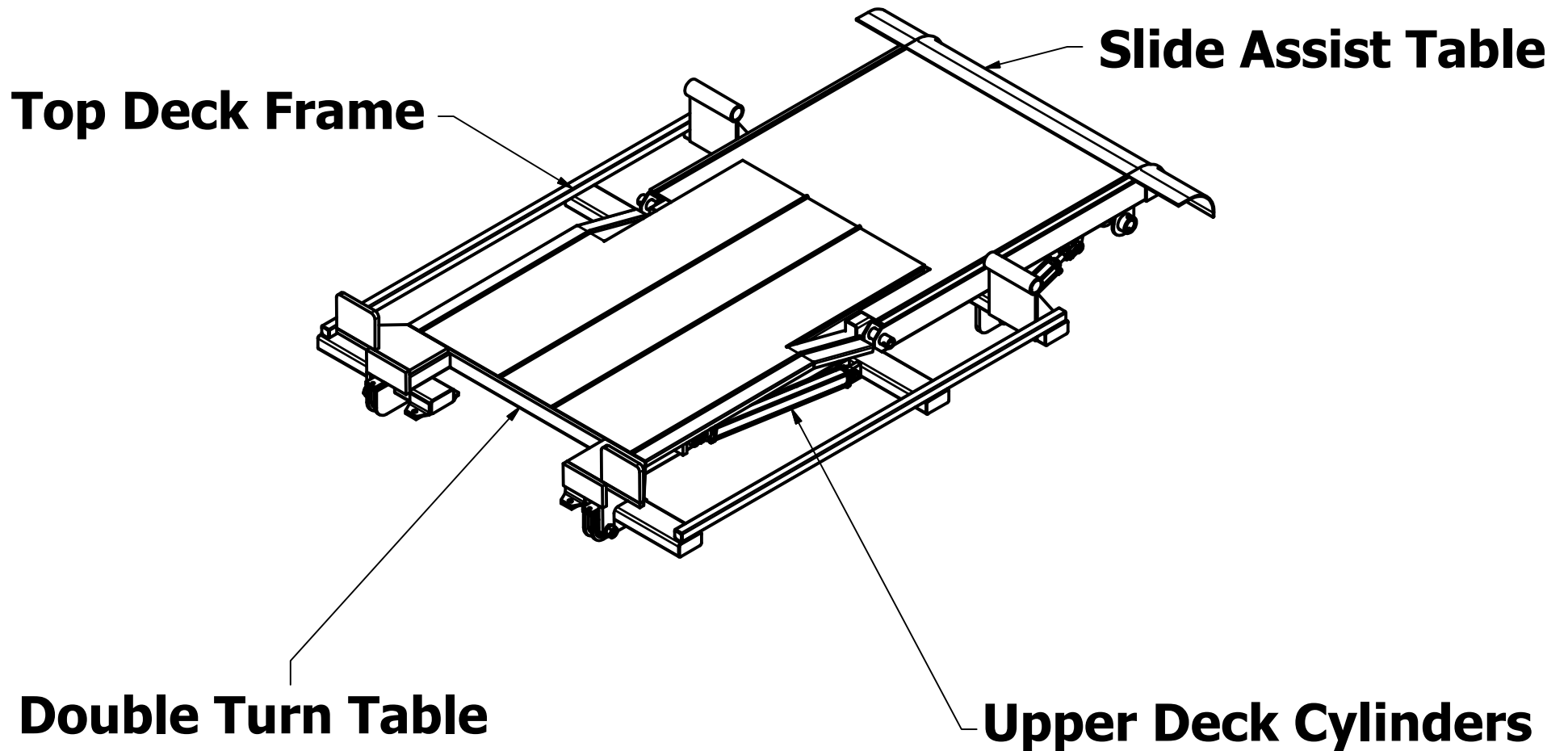
PARTS LIST			
ITEM	QTY	PART NUMBER	DESCRIPTION
1	1	8560A12	Trolley Weldment
2	1	1490-6837	2-1/2 X 8 X 84 Full-Taper & Polished Fork
3	4	1490-6915	3.5 Flanged Cam Roller
4	1	8560-123	Fork Connecting Pin
5	2	8560-126	Fork Stop
6	4	Hex Nut	1-1/4 " Hex Nut
7	4	Lock Washer	1-1/4" Lock Washer



8500 Upper Deck Assy

Back

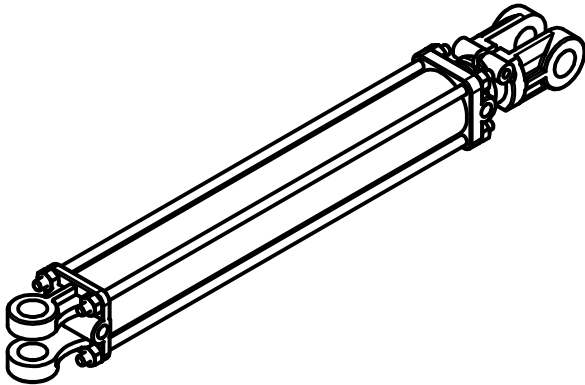
Home



Upper Deck Cylinders

Back

Home

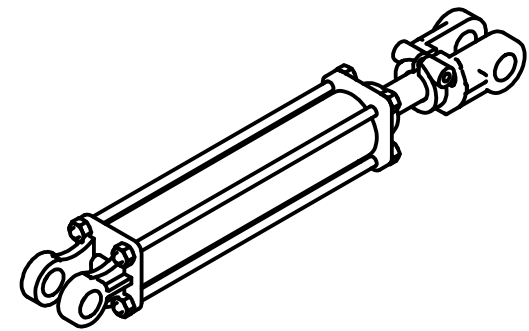


Double Turn Cylinders

2-1/2 X 32 X 1-1/4

1490-6923

(Seal Kit #1490-6930)



Slide Assist Cylinders

2 X 8 X 1-1/8

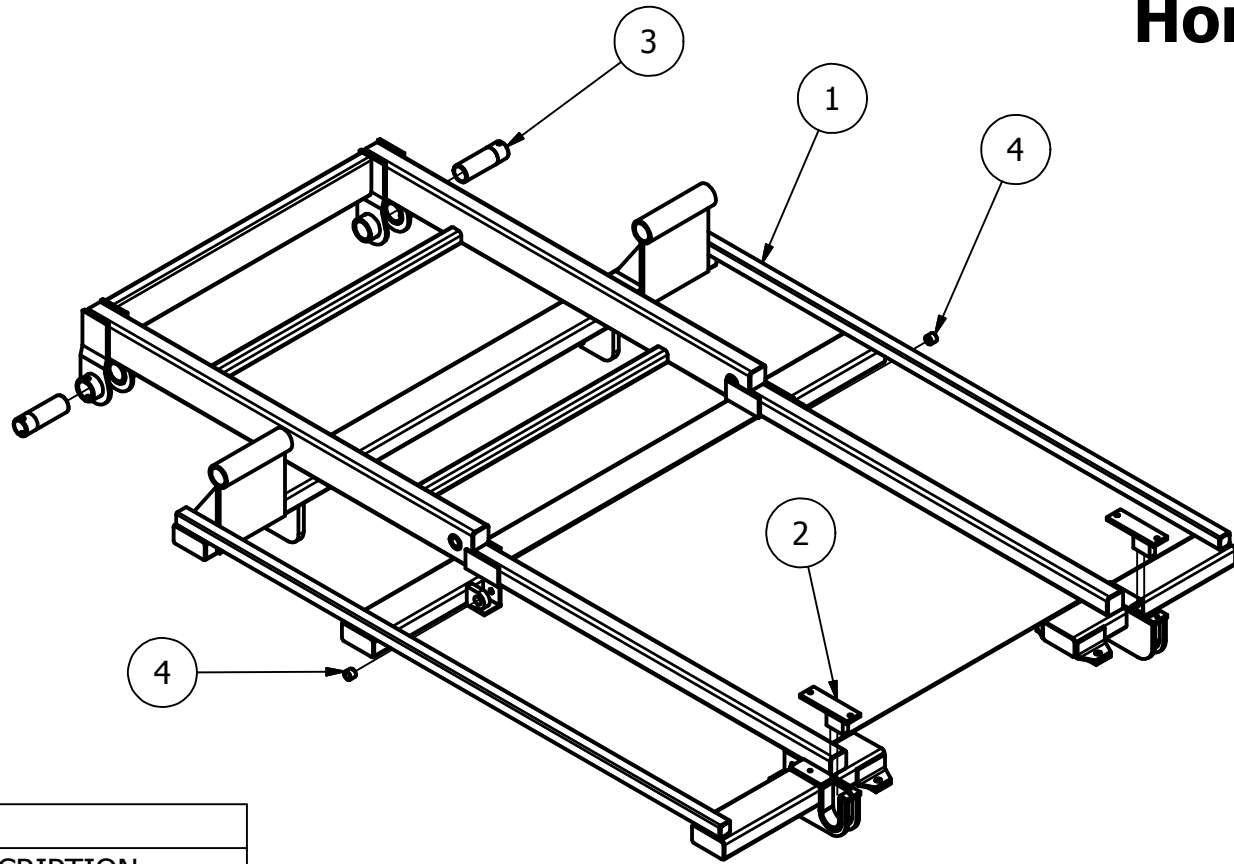
1490-5146 & 1490-5145

(Ported Opposite each other
Both use Seal Kit 1490-4627)

8500 Top Deck Frame

Back

Home



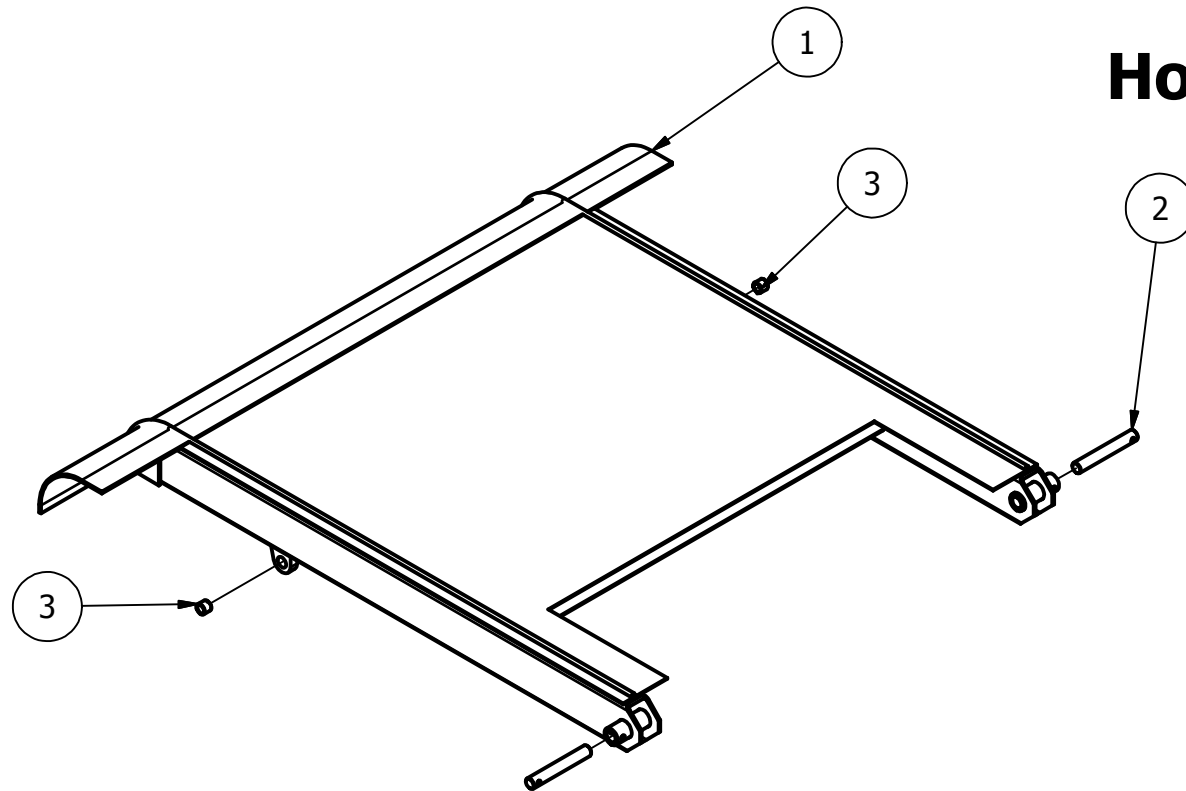
PARTS LIST

ITEM	QTY	PART NUMBER	DESCRIPTION
1	1	8560A17	Top Deck Frame Weldment
2	2	8560A33	Pivot Mount Cap
3	2	5540-111	Main Pivot Shaft
4	2	14902030	Wear Bushing

Slide Assist Table

Back

Home

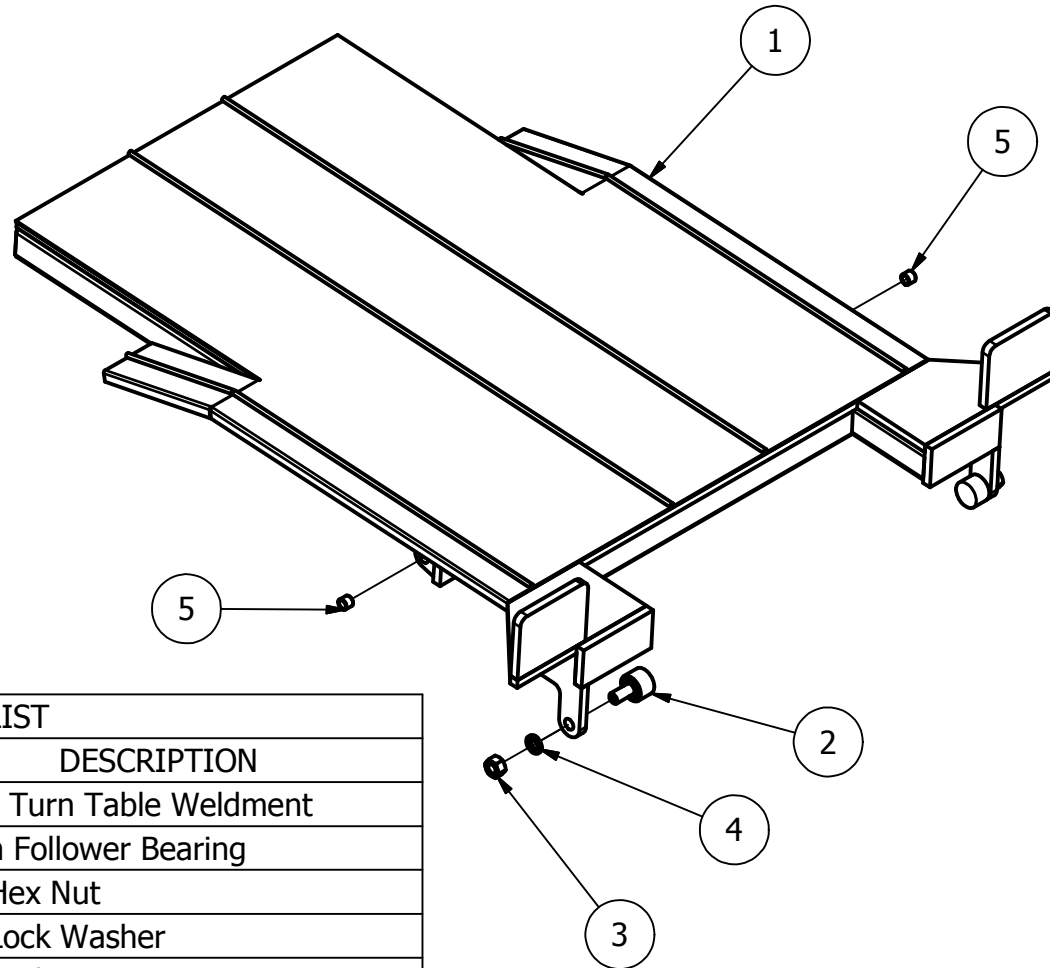


PARTS LIST			
ITEM	QTY	PART NUMBER	DESCRIPTION
1	1	8560A16	Bale Assist Lift Frame
2	2	8560-341	Pivot Shaft
3	2	14902030	Wear Bushing

8500 Double Turn Table

Back

Home



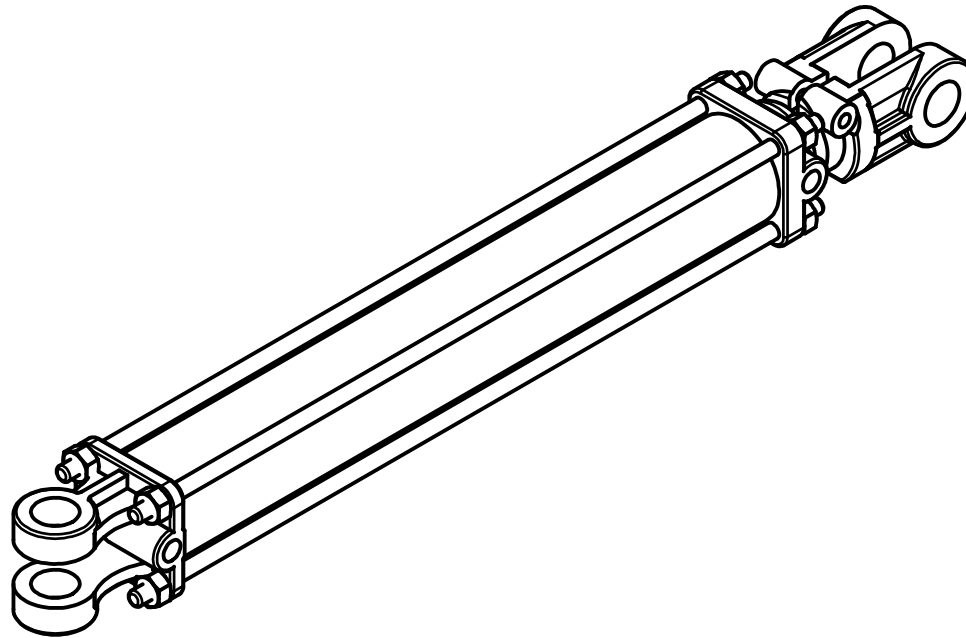
PARTS LIST			
ITEM	QTY	PART NUMBER	DESCRIPTION
1	1	8560A15	Double Turn Table Weldment
2	2	1490-6917	3" Cam Follower Bearing
3	2	Nut	1-1/4 Hex Nut
4	2	Washer	1-1/4 Lock Washer
5	2	14902030	Wear Bushing

**Hydraulic
Cylinders**

**Double Turn Cylinder
1490-6923
(2-1/2 X 32 X 1-1/4)**

Back

Home

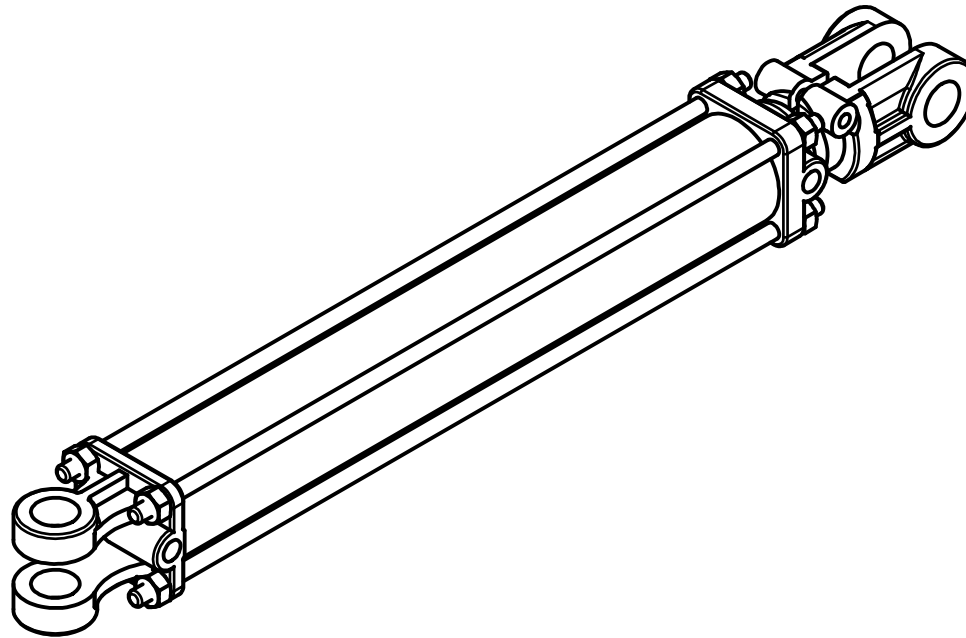


Use Seal Kit # 1490-6930

**Double Turn Cylinder
1490-6923
(2-1/2 X 32 X 1-1/4)**

Back

Home



Use Seal Kit # 1490-6930

Squeeze Frontend

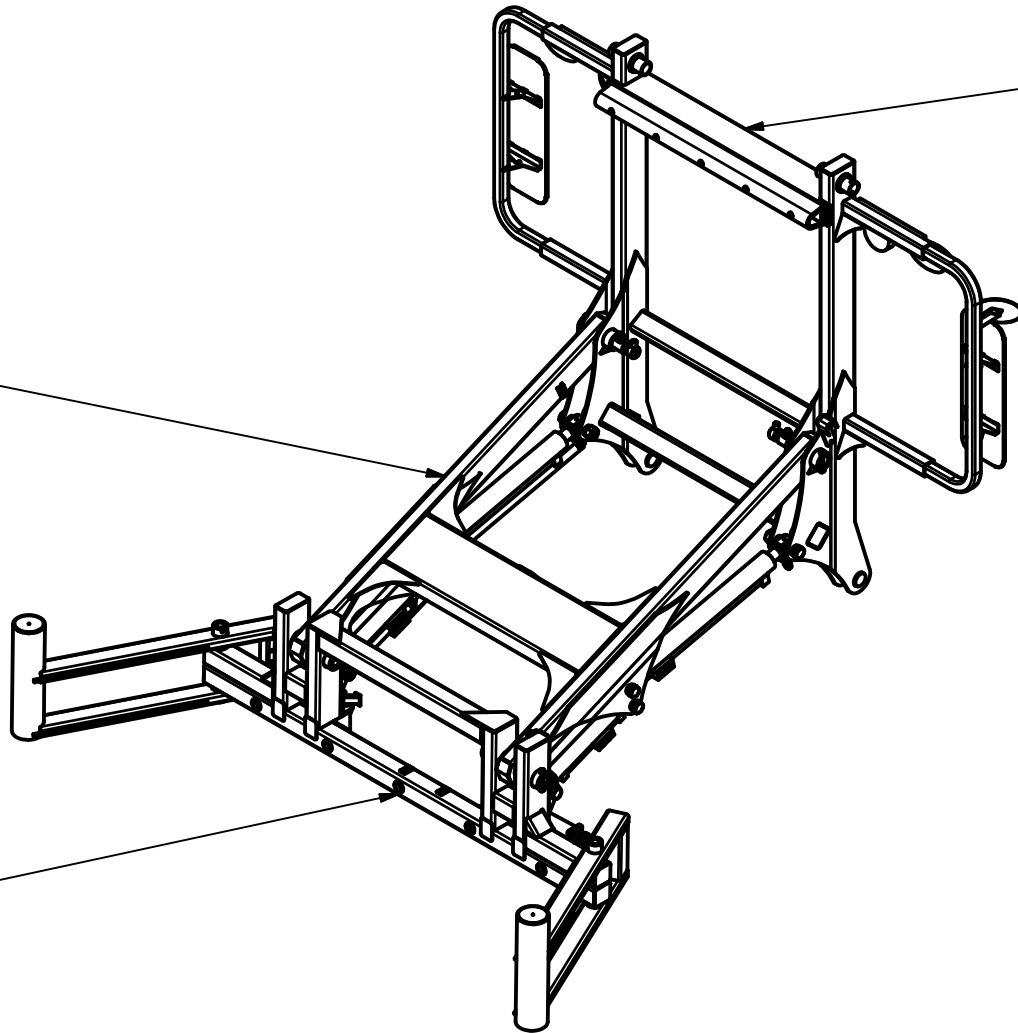
Back

Home

Lift Arm

Lift Frame

Tilt Frame



Squeeze Frontend

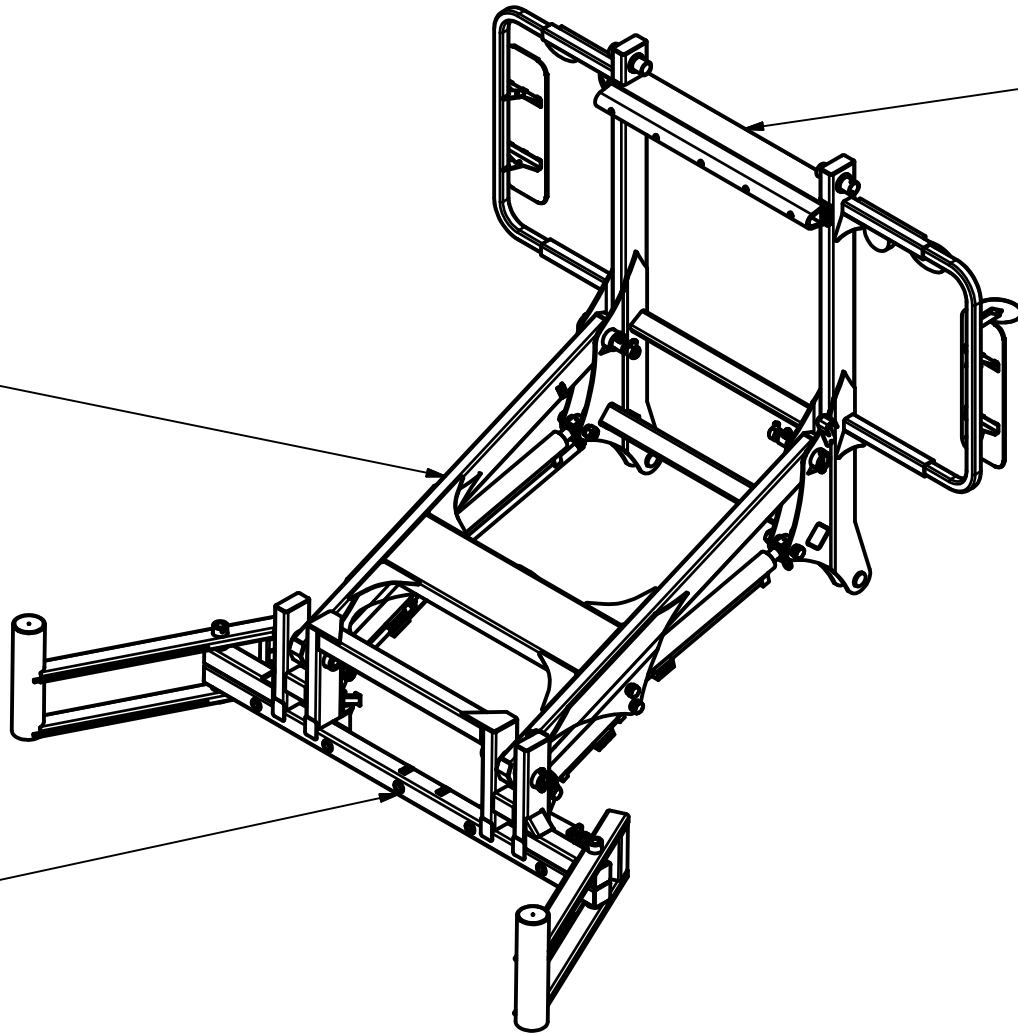
Back

Home

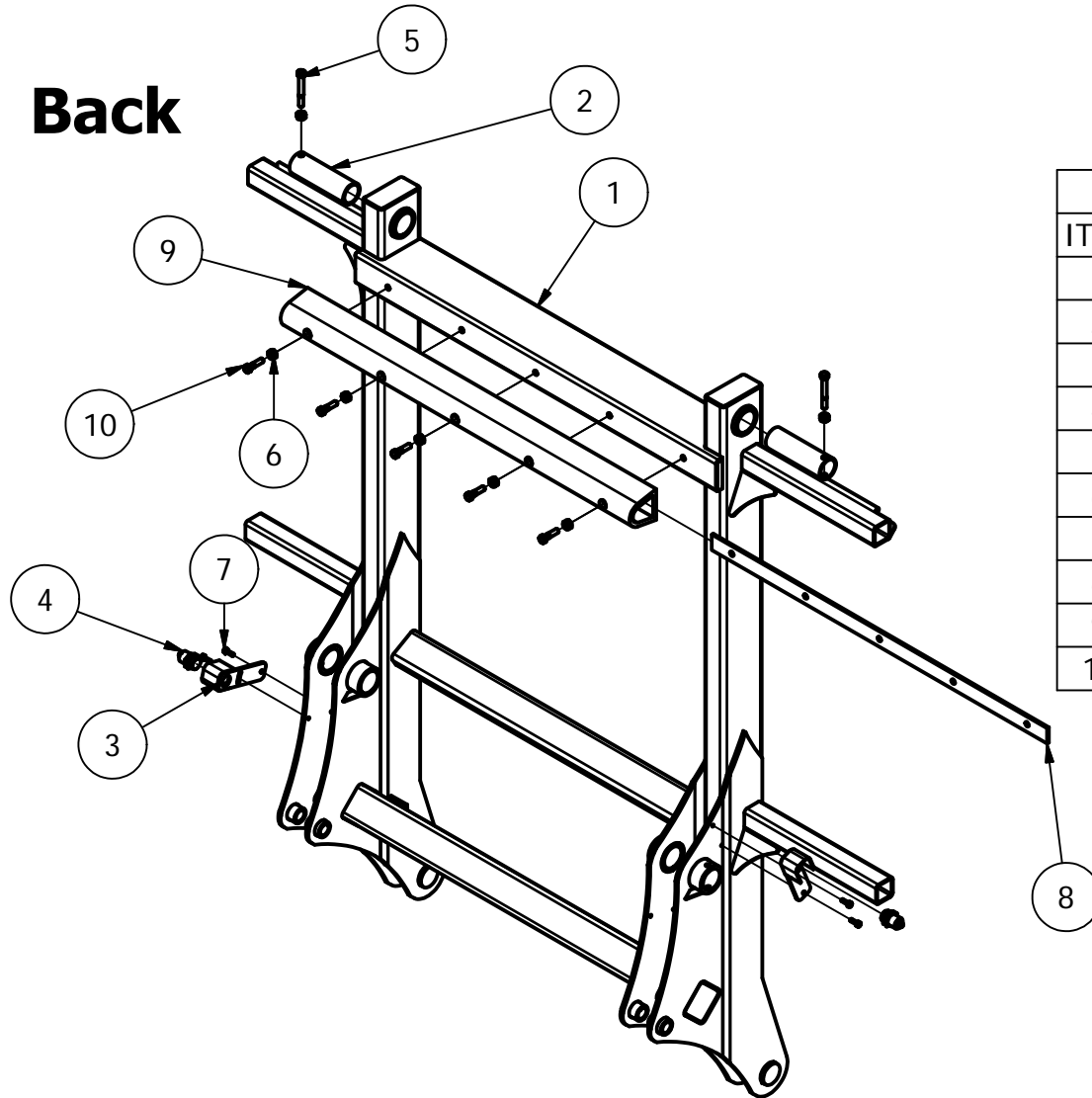
Lift Arm

Lift Frame

Tilt Frame



Lift Frame Assy



Home

PARTS LIST			
ITEM	QTY	PART NUMBER	DESCRIPTION
1	1	5540A	Front Lift Frame
2	2	5540-118	Lift Frame Upper Pivot Shaft
3	2	1400-122	Shielded Prox Switch Mount
4	2	1490-5667	Prox Switch W/QD at switch
5	2	1/2-13 X 4	Hex Bolt
6	7	1/2-13 Nut	Hex Nut
7	4	5/16-18 X 1	Hex Bolt
8	1	5540-109	Rubber Bumper Strap
9	1	1490-5338	Rubber Bumper
10	5	1/2-13 X 2	Hex Bolt

Prox Wire 1490-5668

Lift Frame Assy

Back

Home

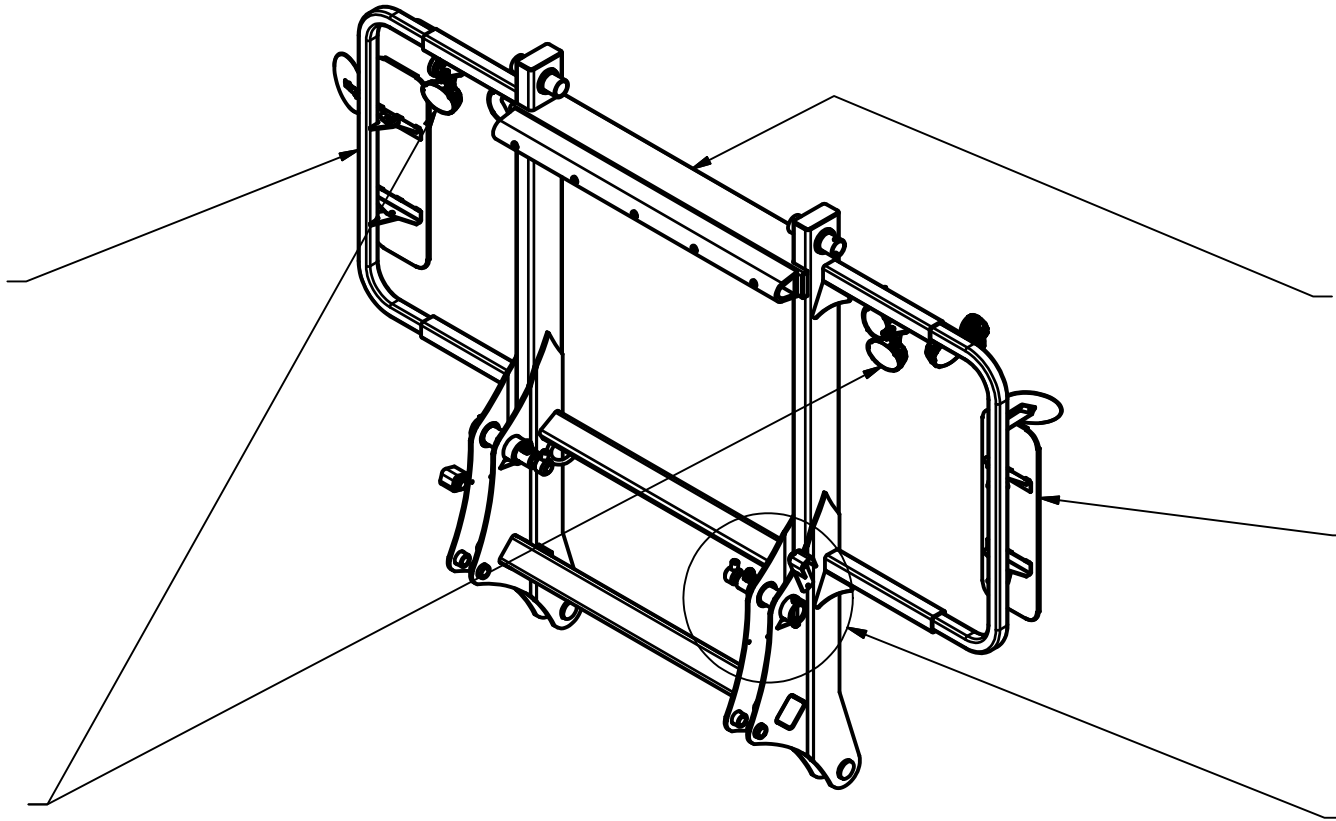
RH Mirror

Lift Frame

LH Mirror

Lights

Detail A



Lift Arm Assy

Back

Home

**Lift Cyl.
W/ Sensor**

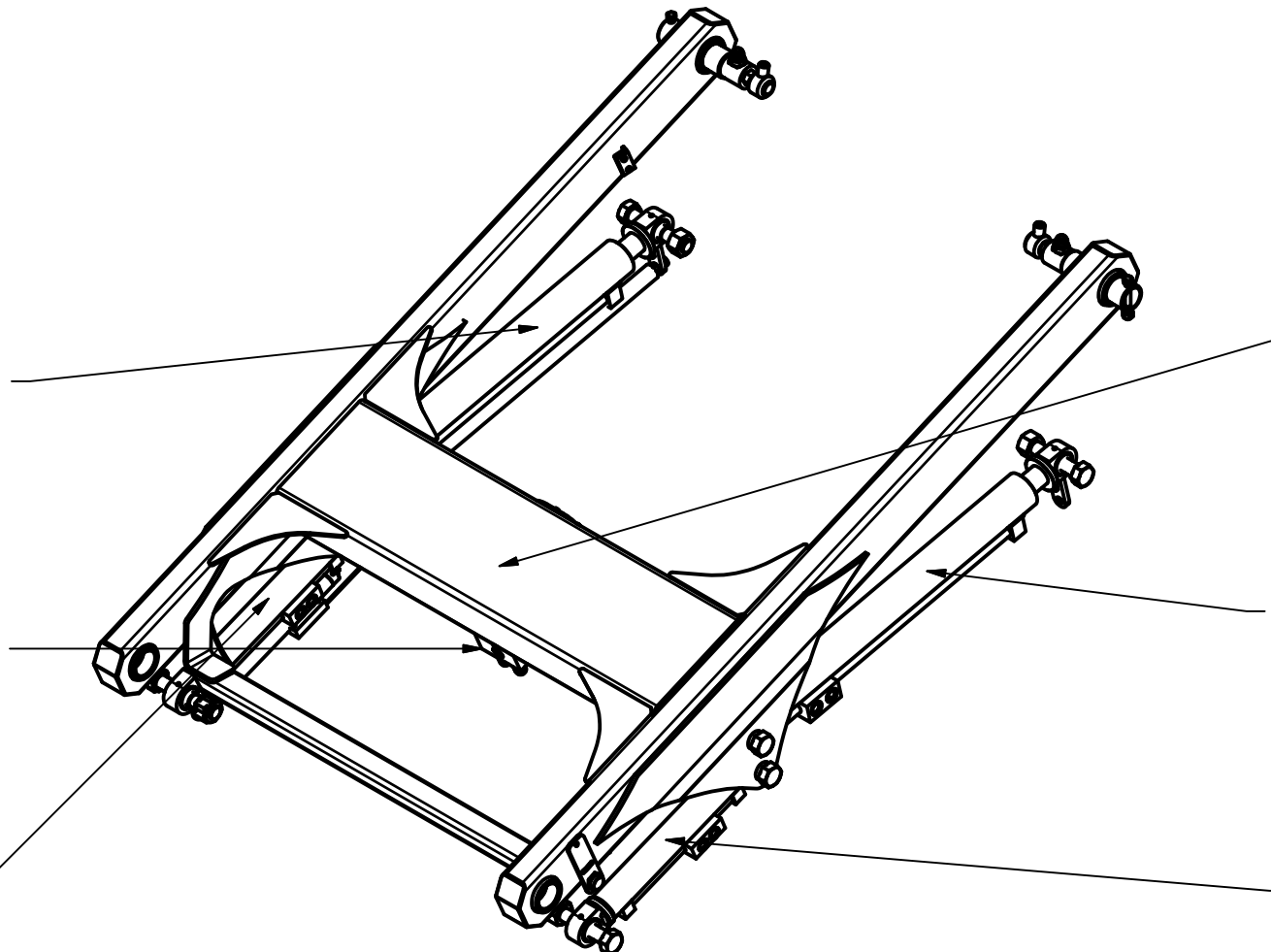
Lift Arm

**Hyd. Valve
Block**

Lift Cyl.

**Tilt Cyl
W/Sensor**

Tilt Cyl.



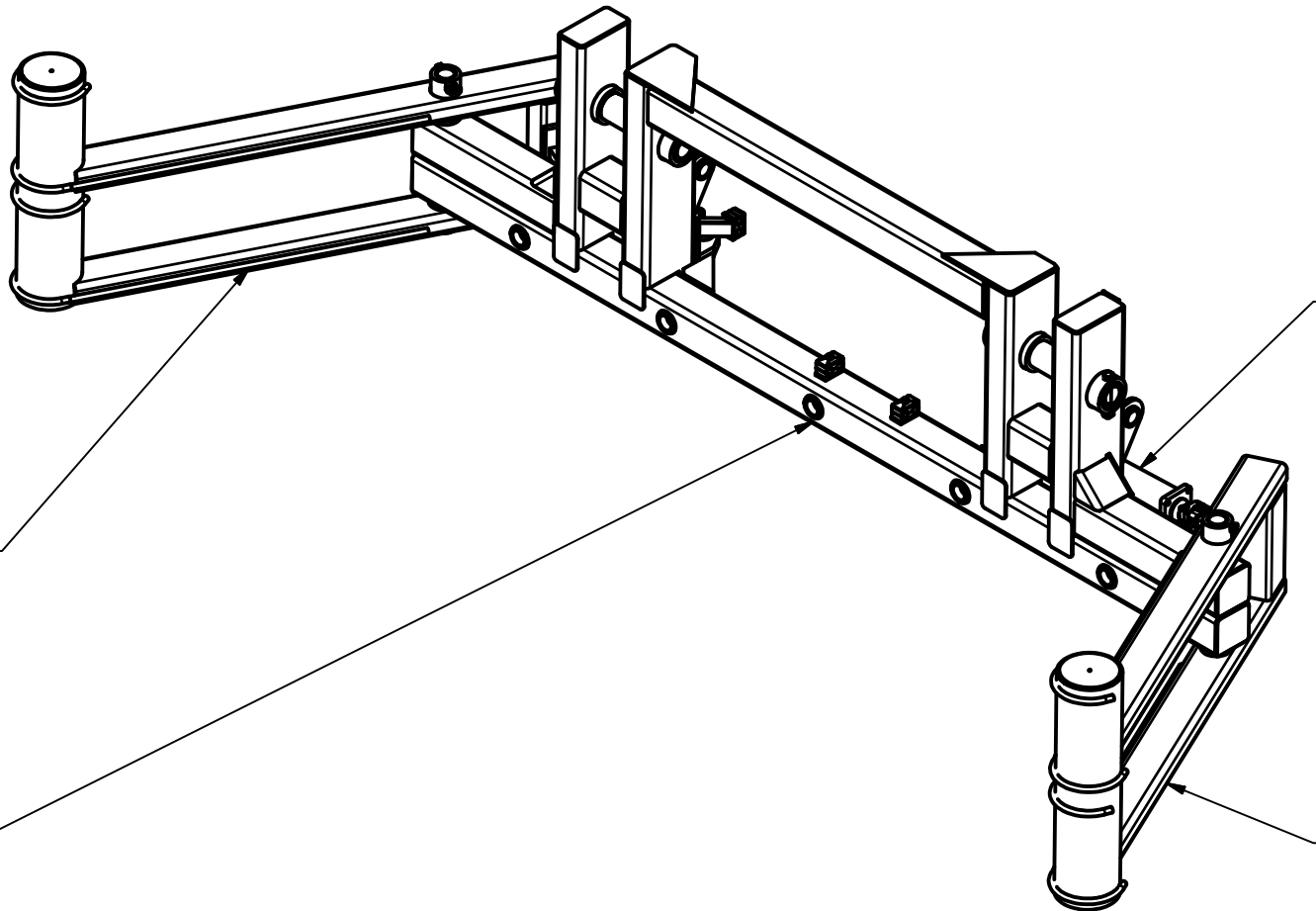
Squeeze Tilt Frame Assy

Back

Home

Sqz. Cyl.

RH Sq Arm



Tilt Frame

LH Sq Arm



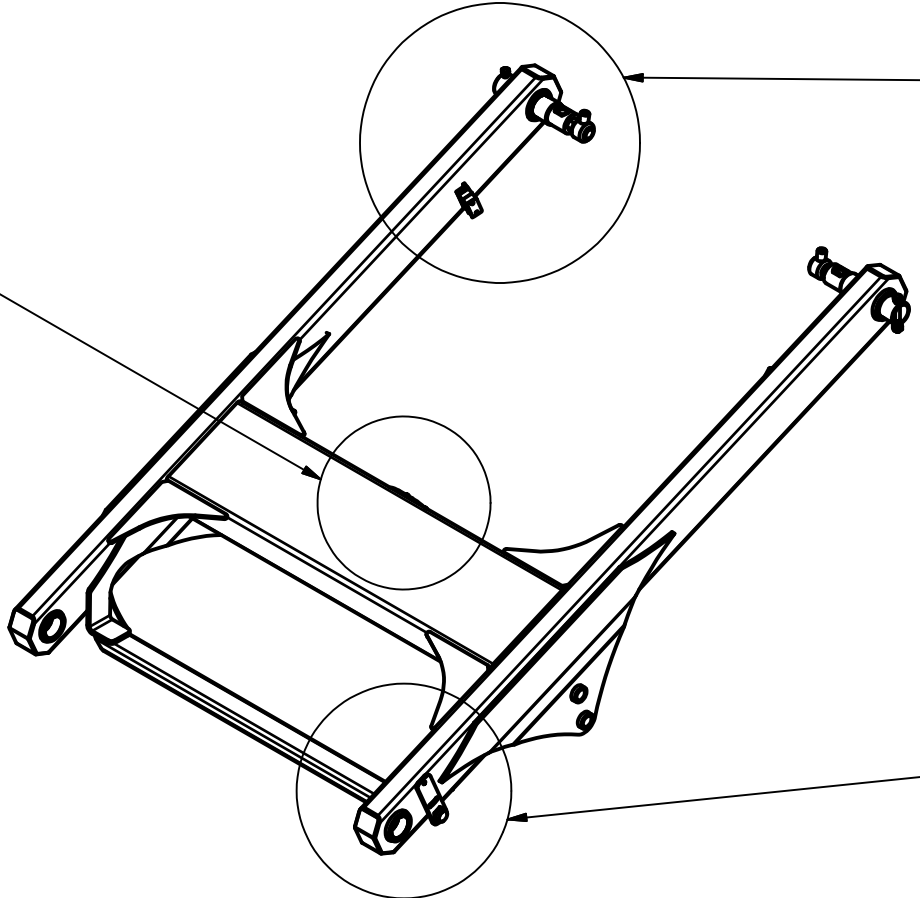
Lift Arm

Back

Home

Detail C

Detail A

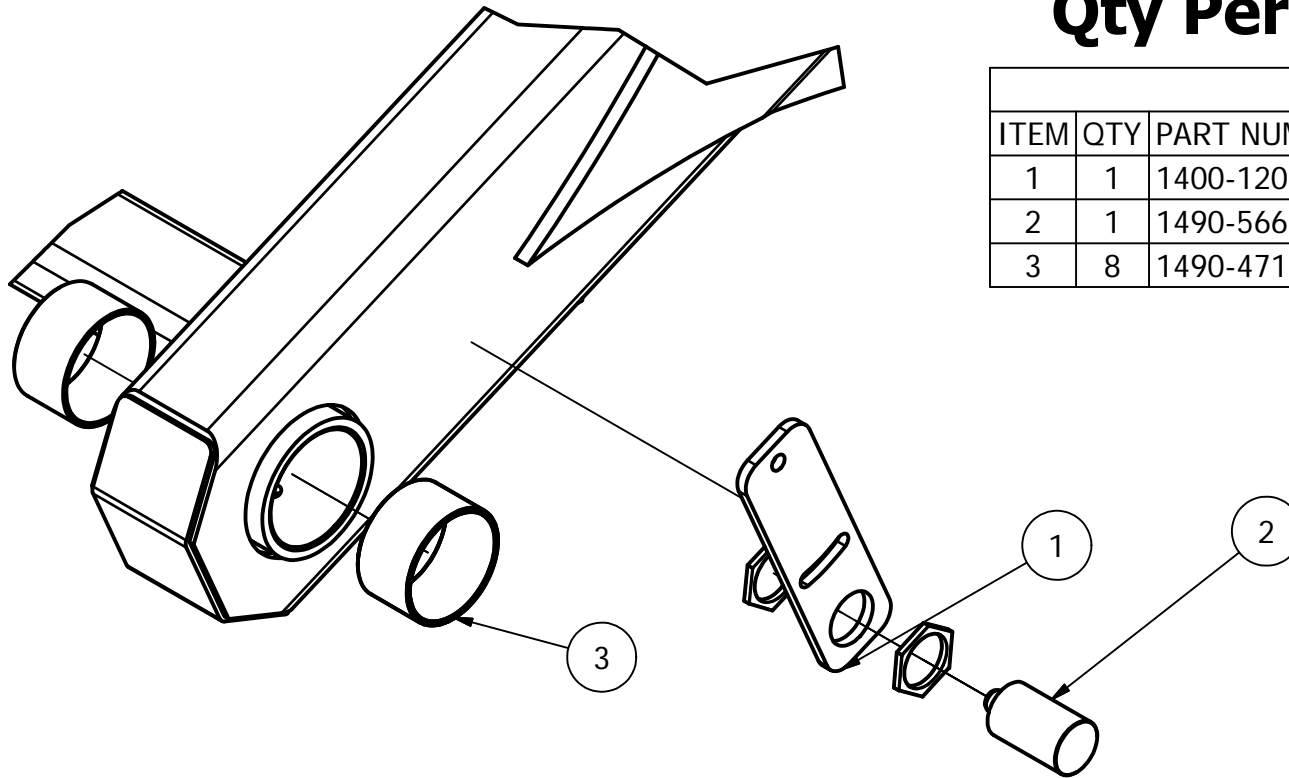


Detail B

Lift Arm Detail B

Back

Home



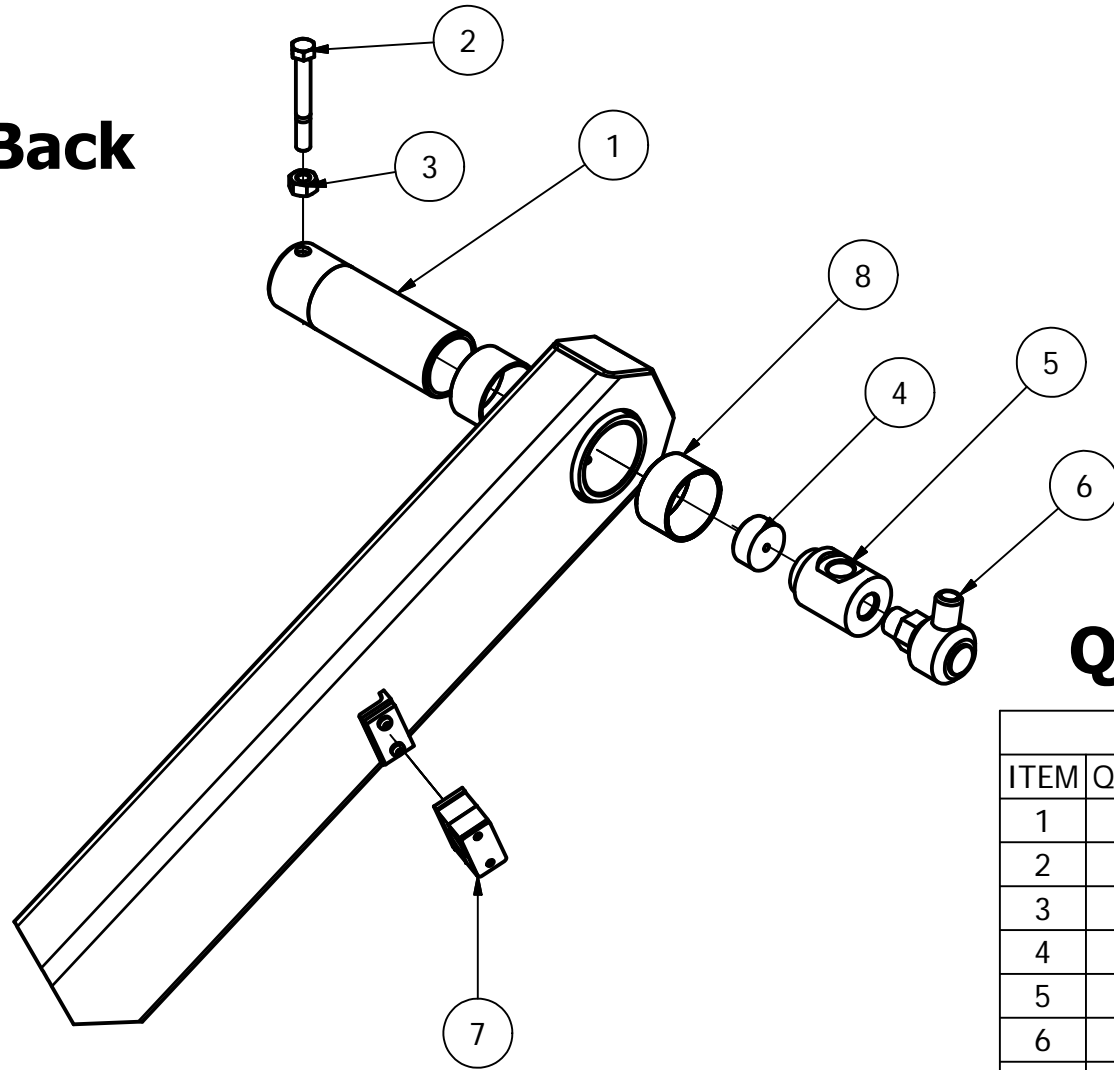
Qty Per Lift Arm Assy

PARTS LIST			
ITEM	QTY	PART NUMBER	DESCRIPTION
1	1	1400-120	Prox Switch Mount
2	1	1490-5667	Prox Switch W/QD at switch
3	8	1490-4716	Wear Bushing

Lift Arm Detail A

Back

Home



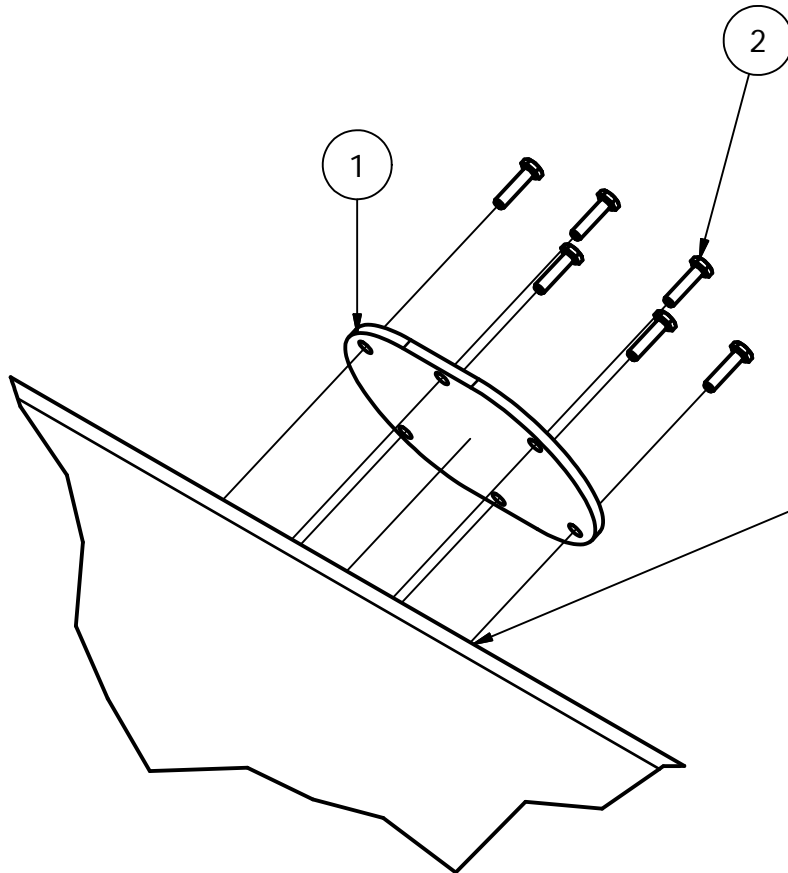
Qty Per Lift Arm Assy

PARTS LIST			
ITEM	QTY	PART NUMBER	DESCRIPTION
1	2	5540-111	Main Pivot Shaft
2	2	1/2-13 X 4"	Bolt
3	2	1/2-13 Nut	Nut
4	2	1490-5942	Expansion Plug
5	2	1490-5879	High Pressure Swivel Mount
6	2	1490-5849	High Pressure Swivel
7	4	Kit-Sng-.75	3/4" Single Hose Clamp
8	8	1490-4716	Wear Bushing

Lift Arm Detail C

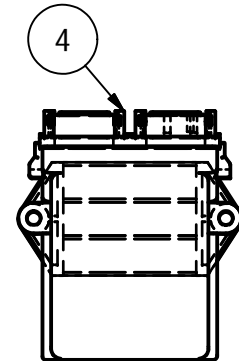
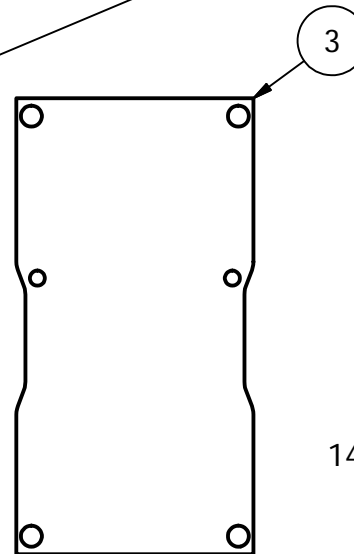
Back

Home



PARTS LIST			
ITEM	QTY	PART NUMBER	DESCRIPTION
1	1	5530-125	Lift Arm Crossmember Cover
2	6	1/4-20 X 1	1/4-20 X 1 Hex Head Bolt
3	1	5530-121	EVDR-6 Mounting Plate
4	1	1490-5861	EVDR-6 Controller
5	1	1490-5887	Frontend Wiring Harness

Inside the Crosstube



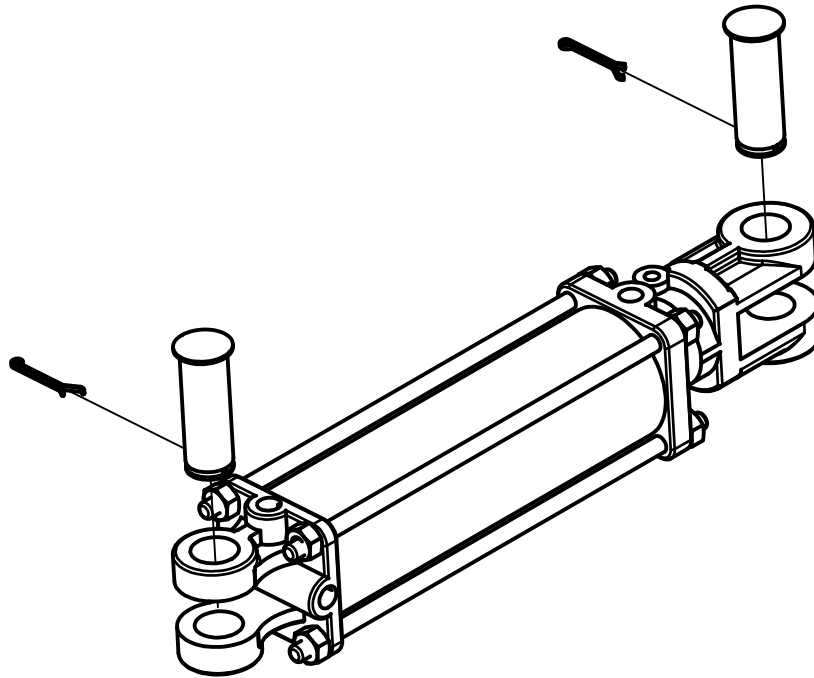
1490-5887 Front Wiring Harness includes Valve and Cylinder Sensor Wires

Tilt Squeeze Cylinder Assy

(2-1/2 X 6 X 1-1/8" Cylinder)

Back

Home



**Cylinder Part Number
14905147**

(Comes with both Cylinder pins)

**Seal Kit Part Number
14901872**

(2-1/2" bore, 6" Stroke, 1-1/8" Rod)

**Rod End Clevis Part Number
14905958**

(Hardened for 1" Cylinder pins 1-1/8" Thread)

**Cylinder Pin Part Number
14904566**

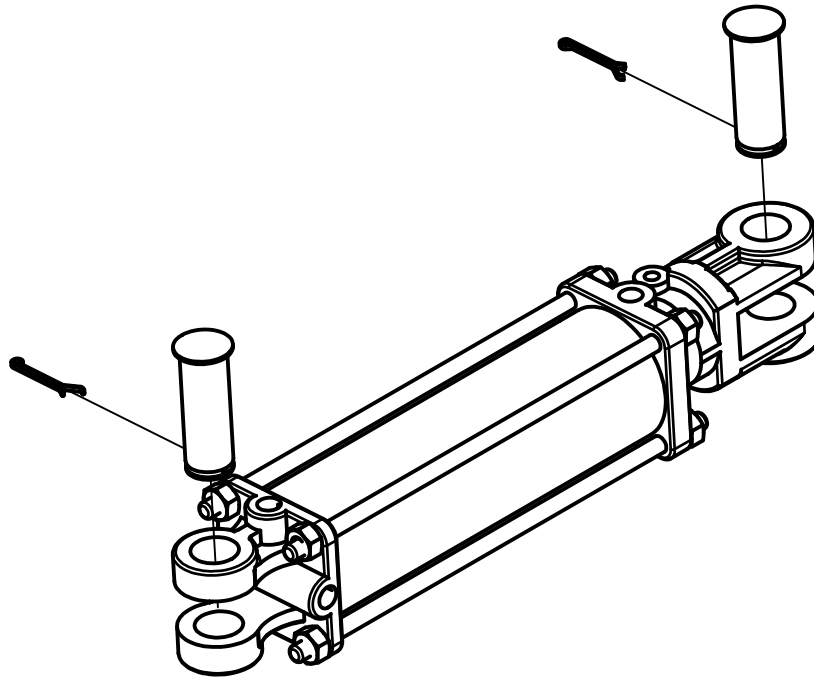
(1 X 2-3/4" W/Cotter pin)

Tilt Squeeze Cylinder Assy

(2-1/2 X 6 X 1-1/8" Cylinder)

Back

Home



**Cylinder Part Number
14905147**

(Comes with both Cylinder pins)

**Seal Kit Part Number
14901872**

(2-1/2" bore, 6" Stroke, 1-1/8" Rod)

**Rod End Clevis Part Number
14905958**

(Hardened for 1" Cylinder pins 1-1/8" Thread)

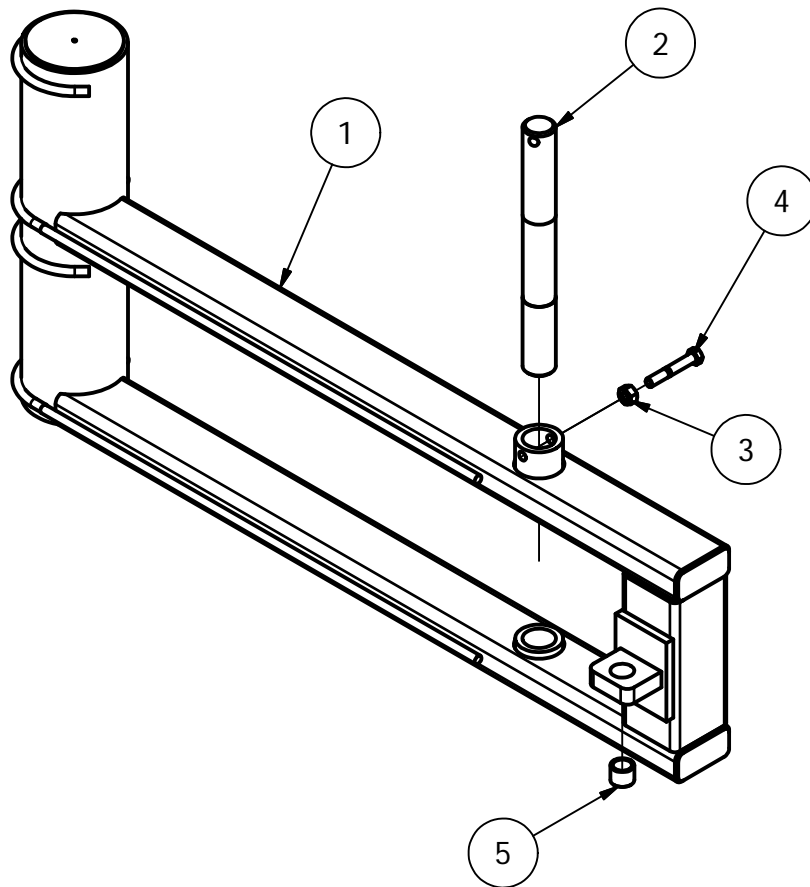
**Cylinder Pin Part Number
14904566**

(1 X 2-3/4" W/Cotter pin)

RH Front Squeeze Arm Assy

Back

Home

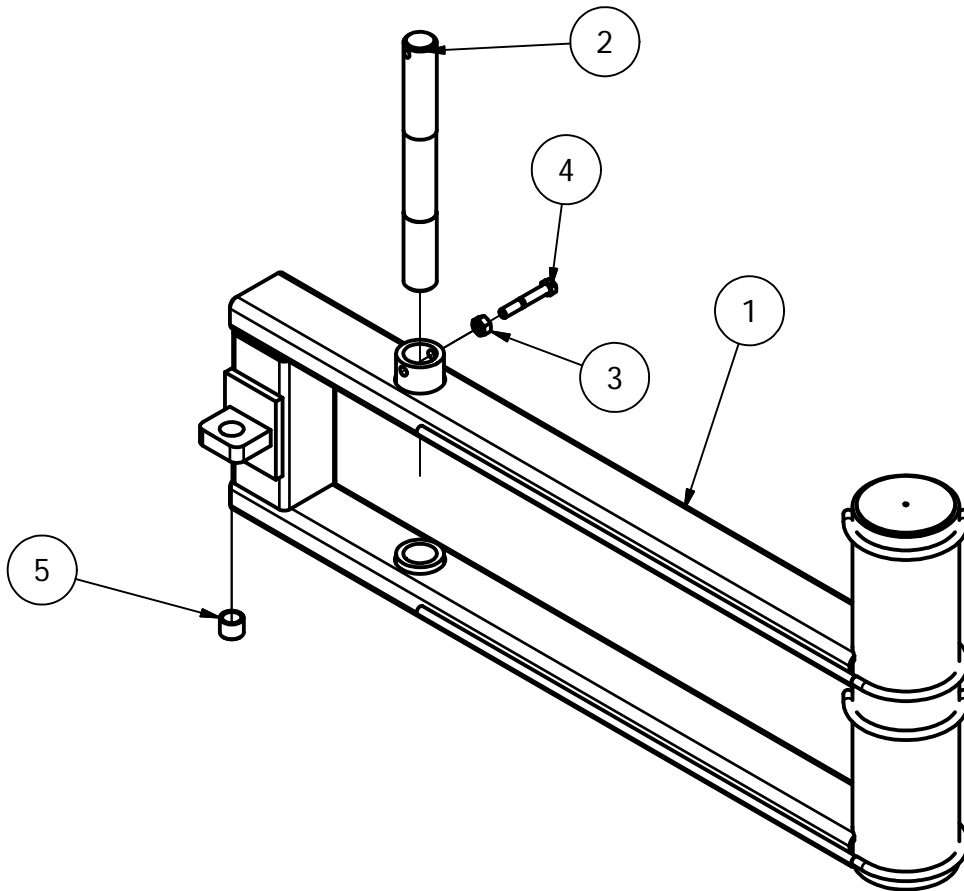


PARTS LIST			
ITEM	QTY	PART NUMBER	DESCRIPTION
1	1	1425A2R	RH Squeeze Arm
2	1	1420-305	Machined Shaft
3	1	1/2-13 Nut	Hex Nut
4	1	1/2-13 X 3-1/4 Bolt	Hex Bolt
5	1	14902030	Wear Bushing

LH Front Squeeze Arm Assy

Back

Home

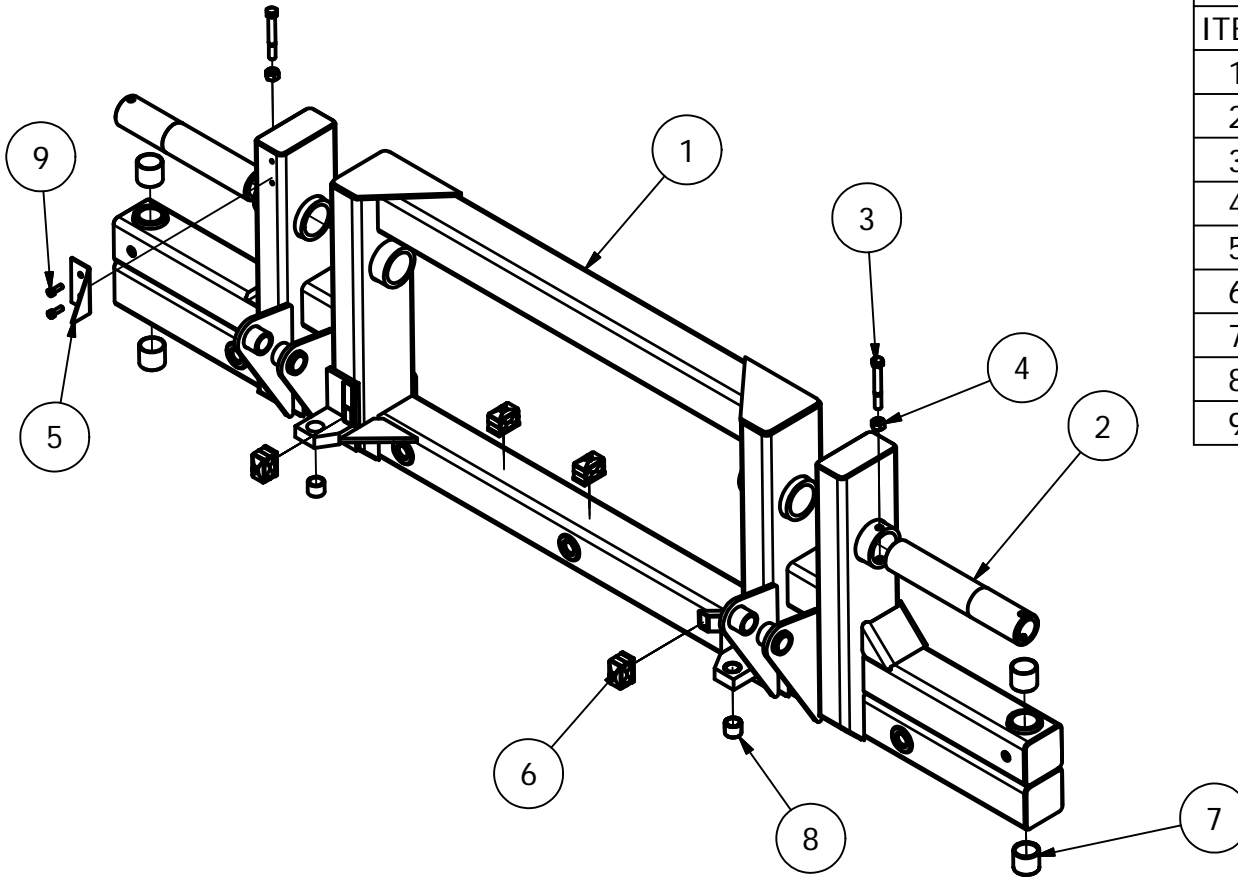


PARTS LIST			
ITEM	QTY	PART NUMBER	DESCRIPTION
1	1	1425A2L	RH Squeeze Arm
2	1	1420-305	Machined Shaft
3	1	1/2-13 Nut	Hex Nut
4	1	1/2-13 X 3-1/4 Bolt	Hex Bolt
5	1	14902030	Wear Bushing

Squeeze Front Tilt Frame Assy

Back

Home



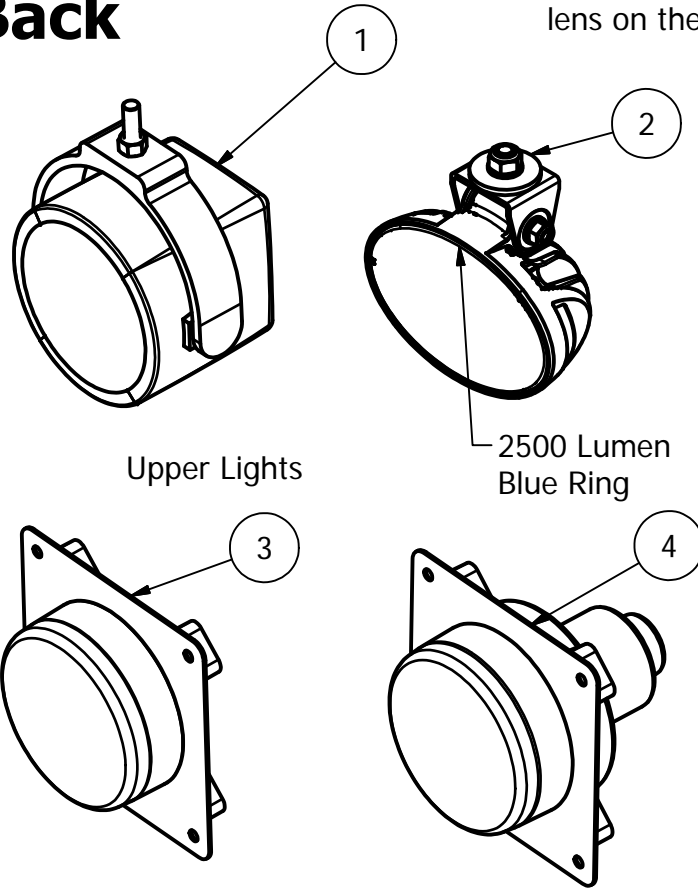
PARTS LIST			
ITEM	QTY	PART NUMBER	DESCRIPTION
1	1	5525A	Front Squeeze Tilt Frame
2	2	5520-110	Tilt Pivot Shaft
3	2	1/2-13 X 4	Hex Bolt
4	2	1/2-13 Nut	Hex Nut
5	1	5520-200	Tilt Prox Adjustent Angle
6	4	KIT-DBL-.375	3/8" Double Hose Clamp
7	4	14904654	Wear Bushing
8	2	14902030	Wear Bushing
9	2	5/16-18 X 1	Hex Bolt

White Lights

The two Oval Trilliant lights look identical in appearance except for a Blue Ring along the outer edge of the lens on the 2500 lumen (Forward Facing) light.

Back

Home



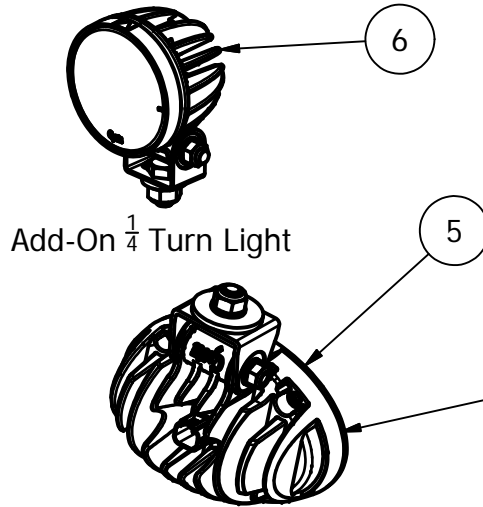
Upper Lights

2500 Lumen Blue Ring

Hi Beam Bulb
1490-6616

Bumper Lights

Low Beam Bulb
1490-6617



Add-On $\frac{1}{4}$ Turn Light

Rear-Facing 1/4-Turn & Squeeze-Rail Lights
1200 Lumen (No Blue Ring)

1490-6690 Wire Harness required to add any LED light to an older machine

Wiring Harnesses

Quantity per machine		PARTS LIST	
ITEM	QTY	PART NUMBER	DESCRIPTION
1	2	1490-6770	Rallye 4000 LED Driving Lamp
2	2	1490-6320	Trilliant LED Oval 2500 Lumens Flood Light
3	2	1490-6558	Hi Beam Headlight (2014 & Later Inner)
4	2	1490-6557	Low Beam Headlight (2014 & Later Outer)
5	6	1490-6319	Trilliant LED Oval 1200 Lumens Flood Light
6	1	1490-6611	Trilliant T26 LED 1400 Flood Light

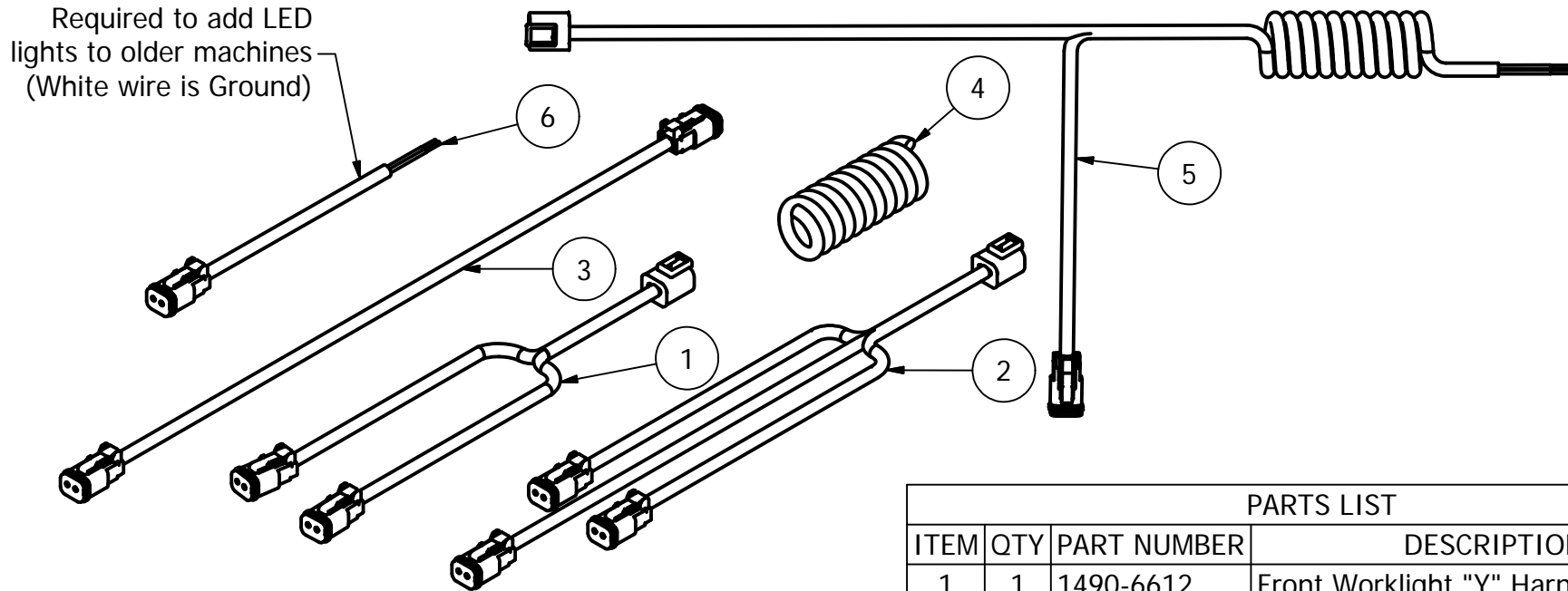
Wiring Harnesses

Back

Not Drawn to Scale

Home

Required to add LED lights to older machines (White wire is Ground)



PARTS LIST

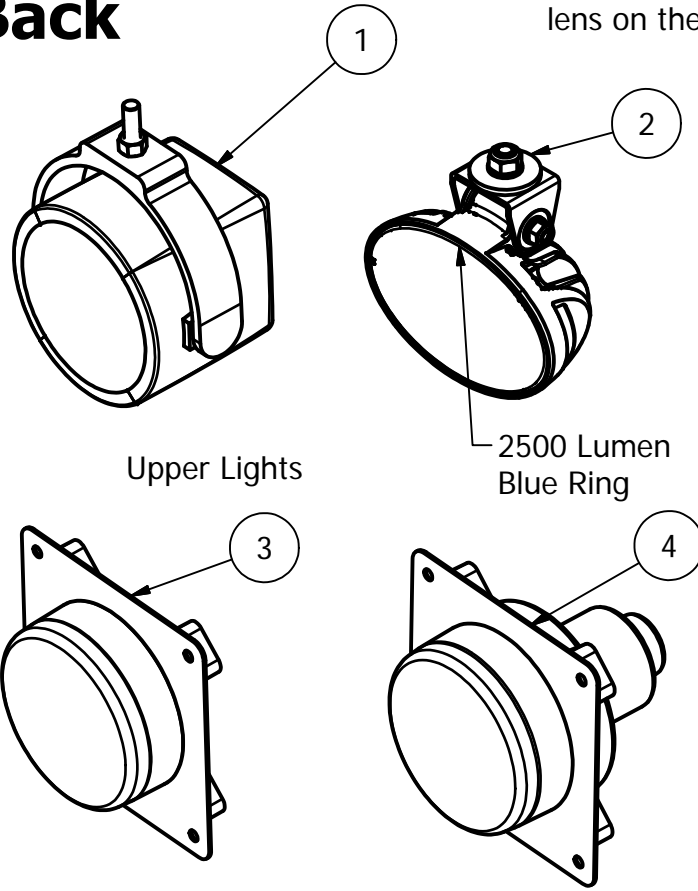
ITEM	QTY	PART NUMBER	DESCRIPTION
1	1	1490-6612	Front Worklight "Y" Harness (LH)
2	1	1490-6613	Front Worklight "W" Harness (RH)
3	1	1490-6689	Squeeze Rail Wiring Harness (Long)
4	1	1490-5955	Rear Work Light Power Supply Cord
5	1	1490-6691	Squeeze Rail Wire Harness Assembly
6	1	1490-6690	Rear Work Light Power Supply Cord

White Lights

The two Oval Trilliant lights look identical in appearance except for a Blue Ring along the outer edge of the lens on the 2500 lumen (Forward Facing) light.

Back

Home



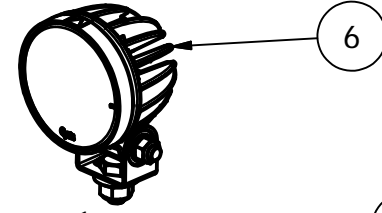
Upper Lights

2500 Lumen Blue Ring

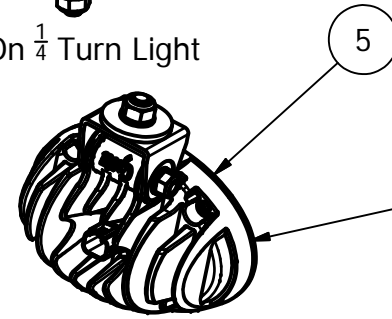
Hi Beam Bulb
1490-6616

Bumper Lights

Low Beam Bulb
1490-6617



Add-On $\frac{1}{4}$ Turn Light



Rear-Facing 1/4-Turn & Squeeze-Rail Lights
1200 Lumen (No Blue Ring)

1490-6690 Wire Harness required to add any LED light to an older machine

Wiring Harnesses

Quantity per machine		PARTS LIST	
ITEM	QTY	PART NUMBER	DESCRIPTION
1	2	1490-6770	Rallye 4000 LED Driving Lamp
2	2	1490-6320	Trilliant LED Oval 2500 Lumens Flood Light
3	2	1490-6558	Hi Beam Headlight (2014 & Later Inner)
4	2	1490-6557	Low Beam Headlight (2014 & Later Outer)
5	6	1490-6319	Trilliant LED Oval 1200 Lumens Flood Light
6	1	1490-6611	Trilliant T26 LED 1400 Flood Light

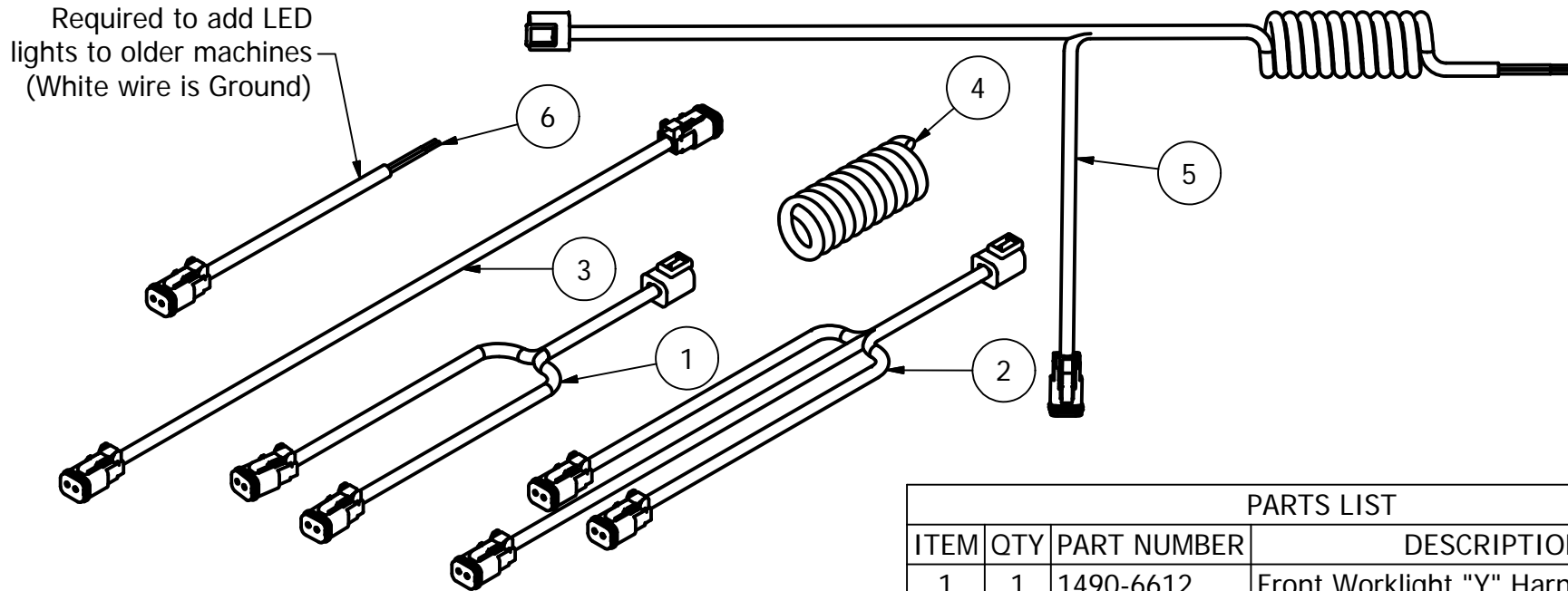
Wiring Harnesses

Back

Not Drawn to Scale

Home

Required to add LED lights to older machines (White wire is Ground)



PARTS LIST

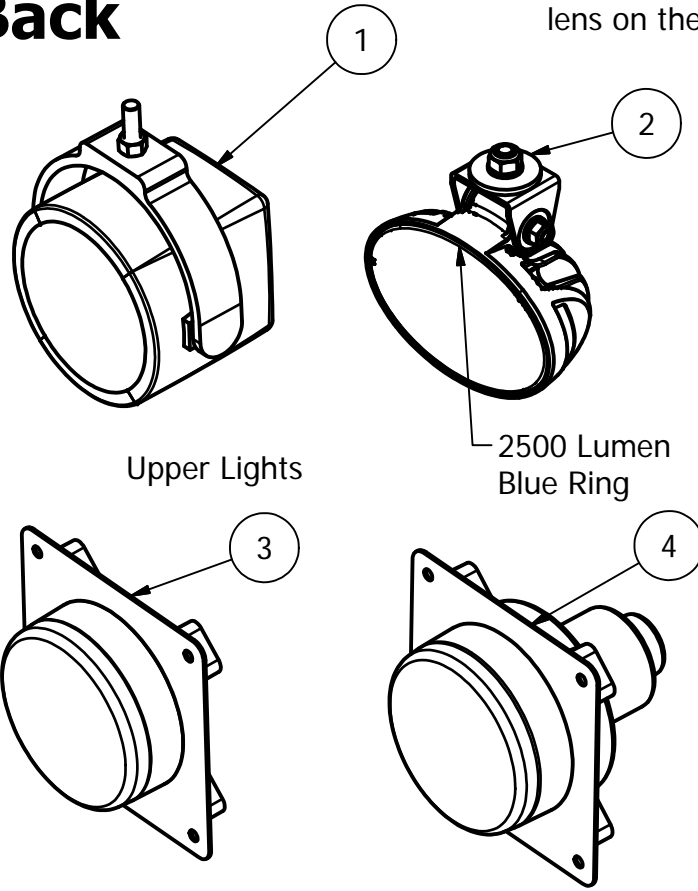
ITEM	QTY	PART NUMBER	DESCRIPTION
1	1	1490-6612	Front Worklight "Y" Harness (LH)
2	1	1490-6613	Front Worklight "W" Harness (RH)
3	1	1490-6689	Squeeze Rail Wiring Harness (Long)
4	1	1490-5955	Rear Work Light Power Supply Cord
5	1	1490-6691	Squeeze Rail Wire Harness Assembly
6	1	1490-6690	Rear Work Light Power Supply Cord

White Lights

The two Oval Trilliant lights look identical in appearance except for a Blue Ring along the outer edge of the lens on the 2500 lumen (Forward Facing) light.

Back

Home



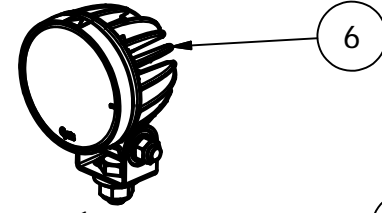
Upper Lights

2500 Lumen Blue Ring

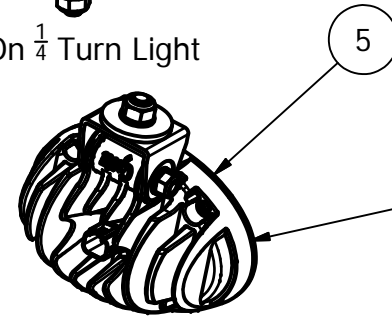
Hi Beam Bulb
1490-6616

Bumper Lights

Low Beam Bulb
1490-6617



Add-On $\frac{1}{4}$ Turn Light



Rear-Facing 1/4-Turn & Squeeze-Rail Lights
1200 Lumen (No Blue Ring)

1490-6690 Wire Harness required to add any LED light to an older machine

Wiring Harnesses

Quantity per machine		PARTS LIST	
ITEM	QTY	PART NUMBER	DESCRIPTION
1	2	1490-6770	Rallye 4000 LED Driving Lamp
2	2	1490-6320	Trilliant LED Oval 2500 Lumens Flood Light
3	2	1490-6558	Hi Beam Headlight (2014 & Later Inner)
4	2	1490-6557	Low Beam Headlight (2014 & Later Outer)
5	6	1490-6319	Trilliant LED Oval 1200 Lumens Flood Light
6	1	1490-6611	Trilliant T26 LED 1400 Flood Light

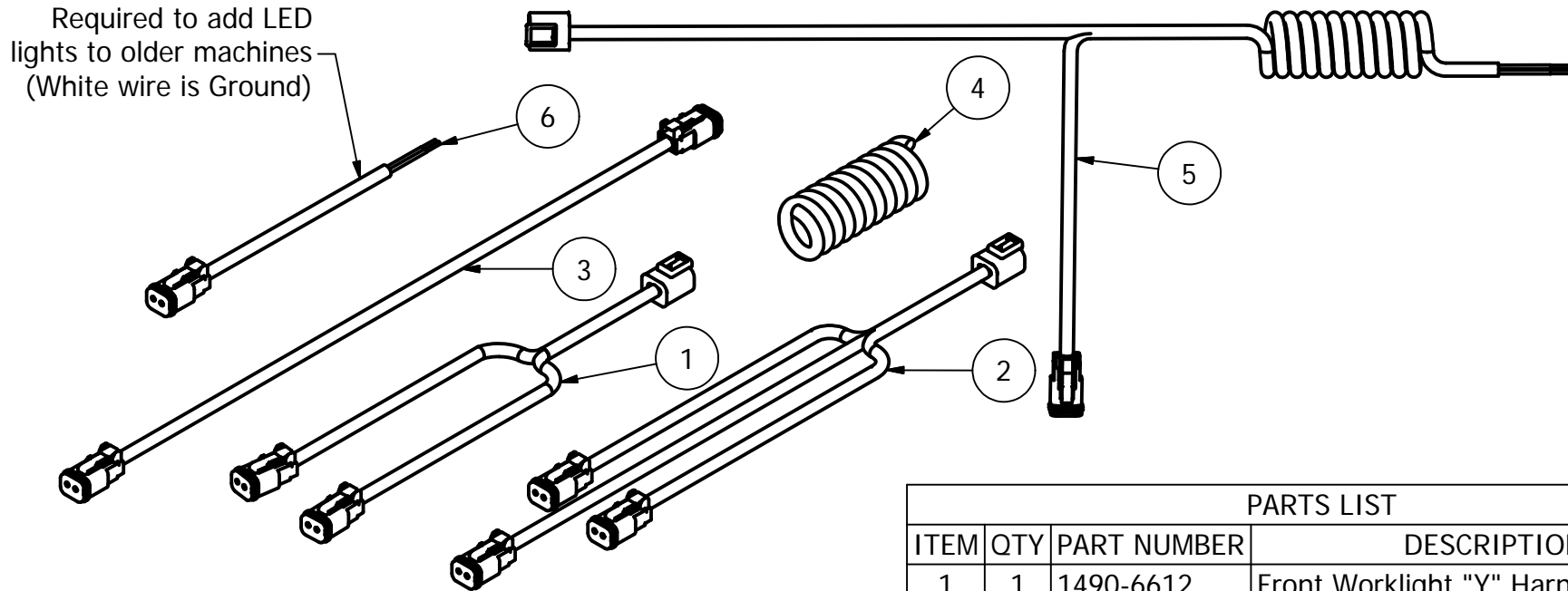
Wiring Harnesses

Back

Not Drawn to Scale

Home

Required to add LED
lights to older machines
(White wire is Ground)



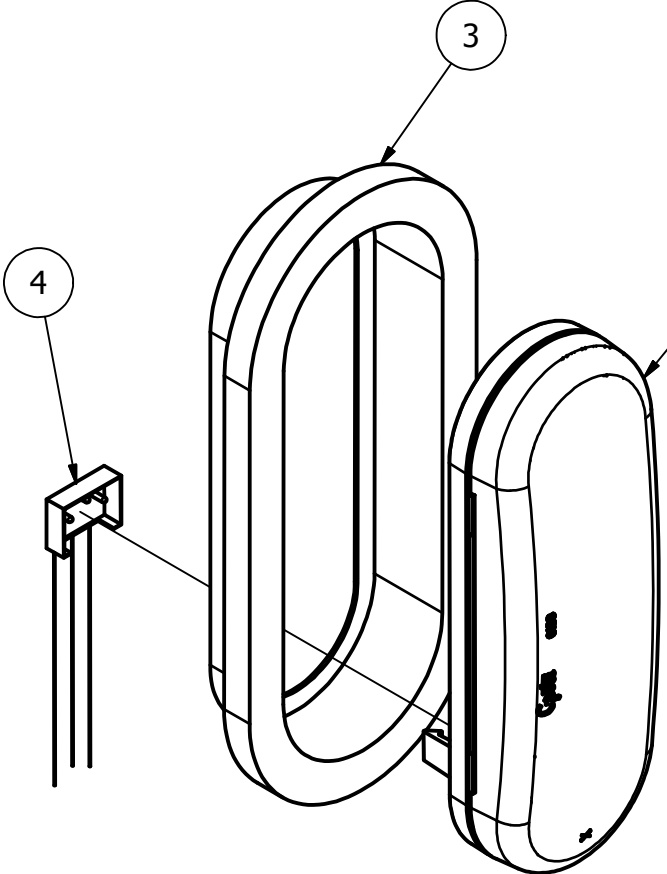
PARTS LIST

ITEM	QTY	PART NUMBER	DESCRIPTION
1	1	1490-6612	Front Worklight "Y" Harness (LH)
2	1	1490-6613	Front Worklight "W" Harness (RH)
3	1	1490-6689	Squeeze Rail Wiring Harness (Long)
4	1	1490-5955	Rear Work Light Power Supply Cord
5	1	1490-6691	Squeeze Rail Wire Harness Assembly
6	1	1490-6690	Rear Work Light Power Supply Cord

LED Turn/Brake Lights

Back

Home

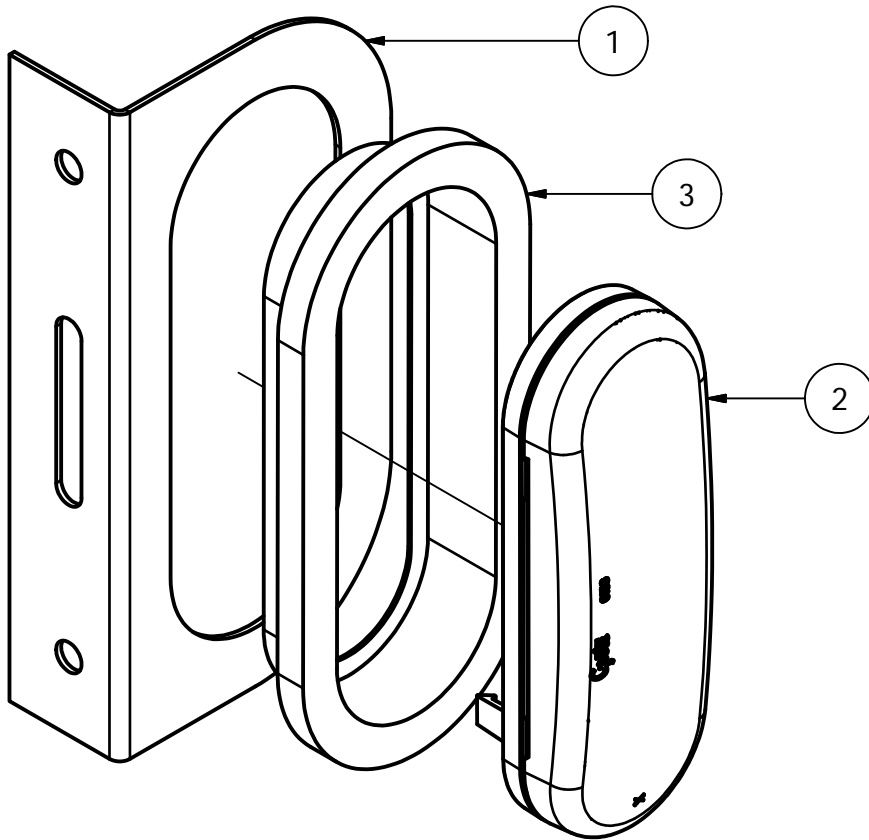


PARTS LIST			
ITEM	QTY	PART NUMBER	DESCRIPTION
1	1	1490-6188	Red LED Turn/Brake Light
2	1	1490-6189	Amber LED Turn Signal Light
3	1	1490-6265	Rubber Grommet for Tail lights
4	1	1490-6266	3-Pin Pigtail

Compartment Light Detail

Back

Home

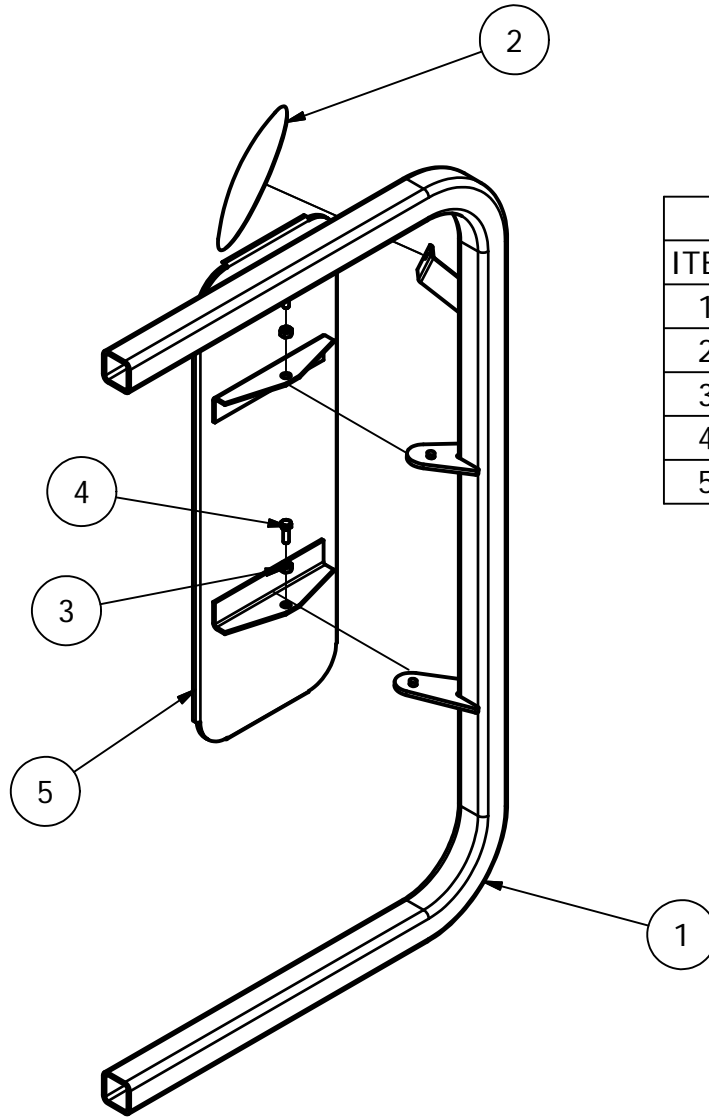


PARTS LIST			
ITEM	QTY	PART NUMBER	DESCRIPTION
1	1	1490-3502	Black Steel Oval Light Bracket
2	1	1490-6321	Oval 6" LED Dome Compartment Light
3	1	1490-6265	Rubber Grommet for Tail lights

LH Mirror Bracket

Back

Home

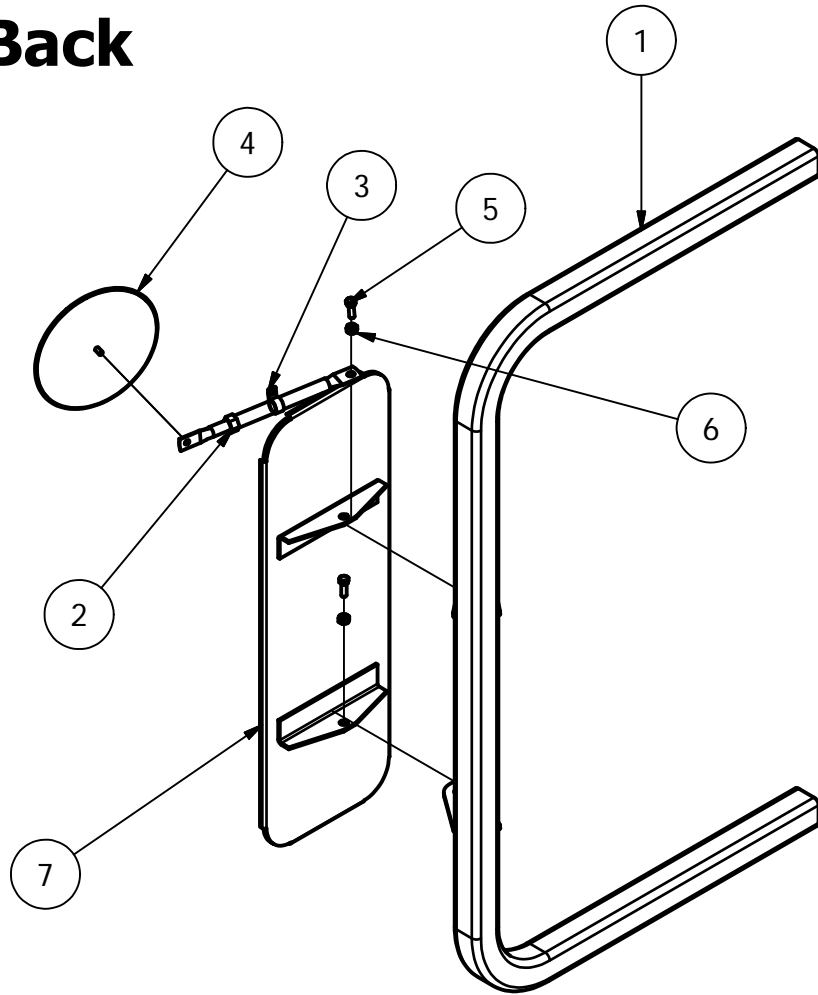


PARTS LIST			
ITEM	QTY	PART NUMBER	DESCRIPTION
1	1	2006A3L	2006 500 Series LH Mirror Bracket
2	1	1490-5087	8" Rd Convex Mirror
3	2	5/16 - 18	Hex Nut
4	2	5/16-18 X 1	Hex Bolt
5	1	1490-5379	10X30 Mirror Assy

RH Mirror Bracket

Back

Home

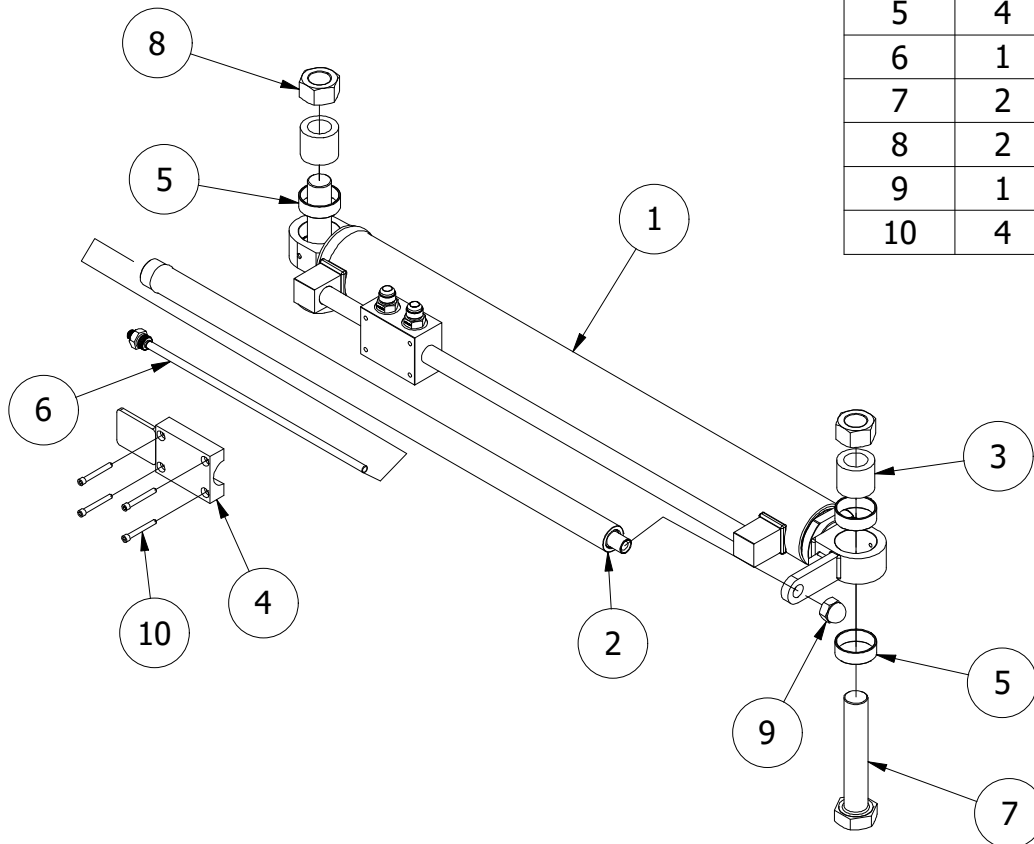


PARTS LIST			
ITEM	QTY	PART NUMBER	DESCRIPTION
1	1	2006A3R	2006 500 Series RH Mirror Bracket
2	1	1490-6564	Mirror Ext. Arm
3	1	Waytek #25512	3/4" Vinyl coated Cable Clamp
4	1	1490-5087	8" Rd Convex Mirror
5	2	5/16-18 X 1	Hex Bolt
6	2	5/16 - 18	Hex Nut
7	1	1490-5379	10X30 Mirror Assy

5530-204RH

(5530-204 W/Sensor)

PARTS LIST			
ITEM	QTY	PART NUMBER	DESCRIPTION
1	1	5530-204	3 x 30 x 2 Welded Cylinder
2	1	1490-5853	30" Sensor Housing
3	2	5530-130	Cylinder Pivot Bearing
4	1	5530-206	Position Sensor Mounting Cap Weldment
5	4	1490-5878	Wear Bushing
6	1	1490-5867	30" Cylinder Linear Sensor
7	2	1490-5104	HCS 1-1/4-12 x 7, Zinc Plate Grade 8
8	2	1490-2081	Top Lock 1-1/4 - 12, Zinc Plate Grade 8
9	1	1490-6624	Acorn Nut for Sensor Housing
10	4	Cap Screw	1/4 X 2-1/4 Allen Head Cap Screw (33608)



Cylinder Seal Kit 1490-5019

Sensor Housing Seal Kit 1490-6297

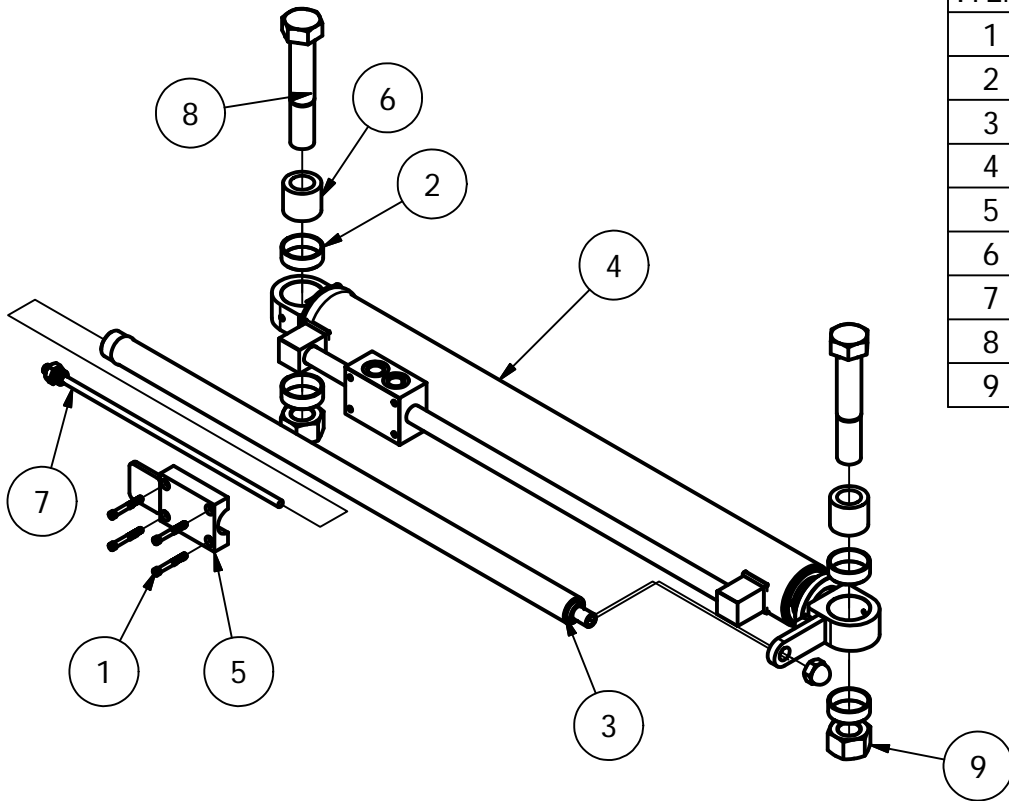
Sensor requires 1 - 8MB O-Ring

5530-204RH

(5530-204 W/Sensor)

Back

Home



PARTS LIST

ITEM	QTY	PART NUMBER	DESCRIPTION
1	4	Cap Screw	1/4 X 2-1/4 Allen Head Cap Screw
2	4	14905878	Wear Bushing
3	1	1490-5853	30" Sensor Housing
4	1	5530-204	3 X 30 X 2 Welded Cylinder
5	1	5530206	Position Sensor Mounting Cap Weldment
6	2	5530-130	Cylinder Pivot Bearing
7	1	1490-5867	13" Sensor
8	2	14905104	HCS 1-1/4 - 12 x 7, Zinc Plate Grade 8
9	2	14902081	Top Lock 1-1/4 - 12, Zinc Plate Grade 8

Cylinder Seal Kit 1490-5019

Sensor Housing Seal Kit 1490-6297

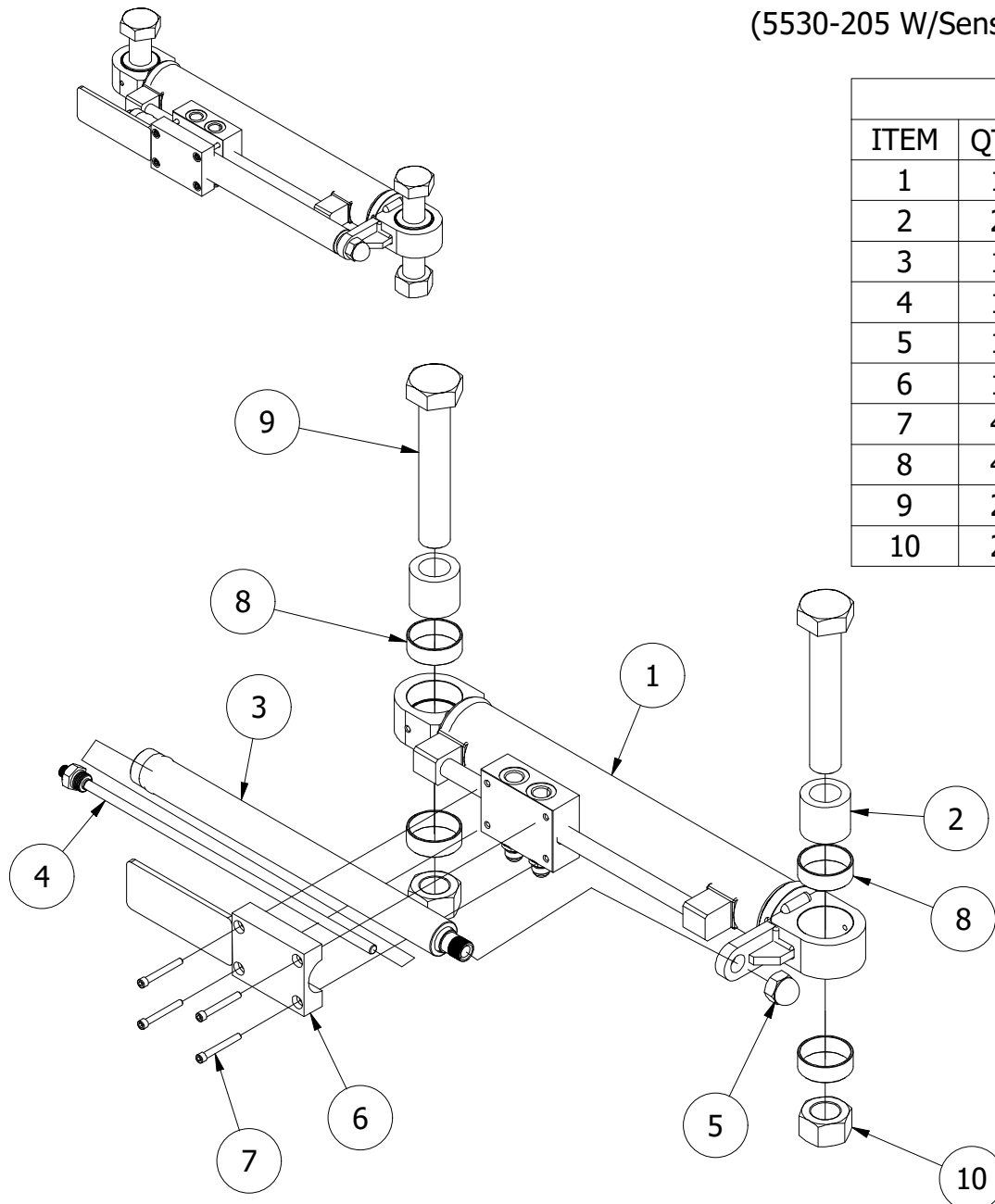
Sensor requires 1 - 8MB O-Ring

Acorn Nut for Sensor Housing 1490-6624

5530-205RH

(5530-205 W/Sensor)

PARTS LIST			
ITEM	QTY	PART NUMBER	DESCRIPTION
1	1	5530-205	2-1/4 X 13 Tilt Cylinder
2	2	5530-130	Cylinder Pivot Bearing
3	1	1490-5854	13" Sensor Housing
4	1	1490-5866	13" Sensor
5	1	1490-6624	Acorn Nut for Sensor Housing
6	1	5530-207	Position Sensor Mounting Cap Weldment
7	4	Cap Screw	1/4 X 2-1/4 Cap Screw (33608)
8	4	1490-5878	Wear Bushing
9	2	1490-5104	HCS 1-1/4-12 x 7, Zinc Plate Grade 8
10	2	1490-2081	Top Lock 1-1/4 - 12, Zinc Plate Grade 8



Cylinder Seal Kit 1490-4756

Sensor Housing Seal Kit 1490-6297

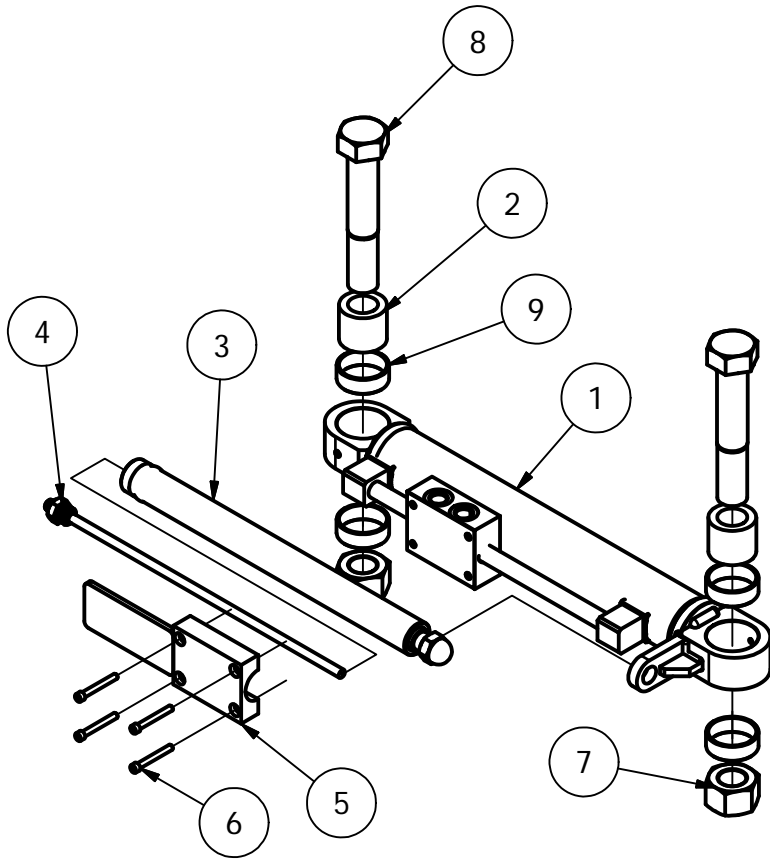
Sensor requires 1 - 8MB O-Ring

5530-205RH

(5530-205 W/Sensor)

Back

Home



PARTS LIST			
ITEM	QTY	PART NUMBER	DESCRIPTION
1	1	5530-205	2-1/4 X 13 Tilt Cylinder
2	2	5530-130	Cylinder Pivot Bearing
3	1	1490-5854	13" Sensor Housing
4	1	1490-5866	13" Sensor
5	1	5530207	Position Sensor Mounting Cap Weldment
6	4	Cap Screw	1/4 X 2-1/4 Cap Screw
7	2	14902081	Top Lock 1-1/4 - 12, Zinc Plate Grade 8
8	2	14905104	HCS 1-1/4 - 12 x 7, Zinc Plate Grade 8
9	4	1490-5878	Wear Bushing

Cylinder Seal Kit 1490-4756

Sensor Housing Seal Kit 1490-6297

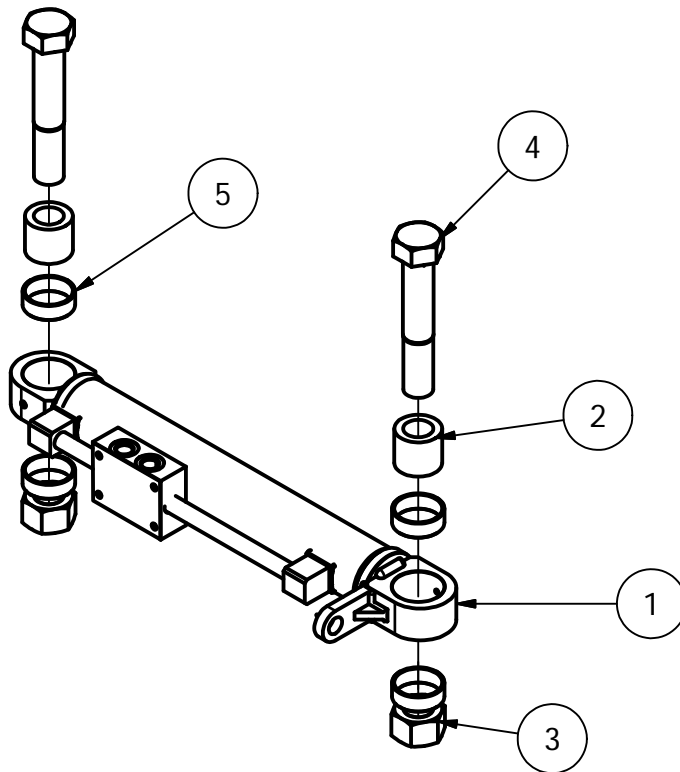
Sensor requires 1 - 8MB O-Ring

Acorn Nut for Sensor Houseing 1490-6624

5530-205

[Back](#)

[Home](#)



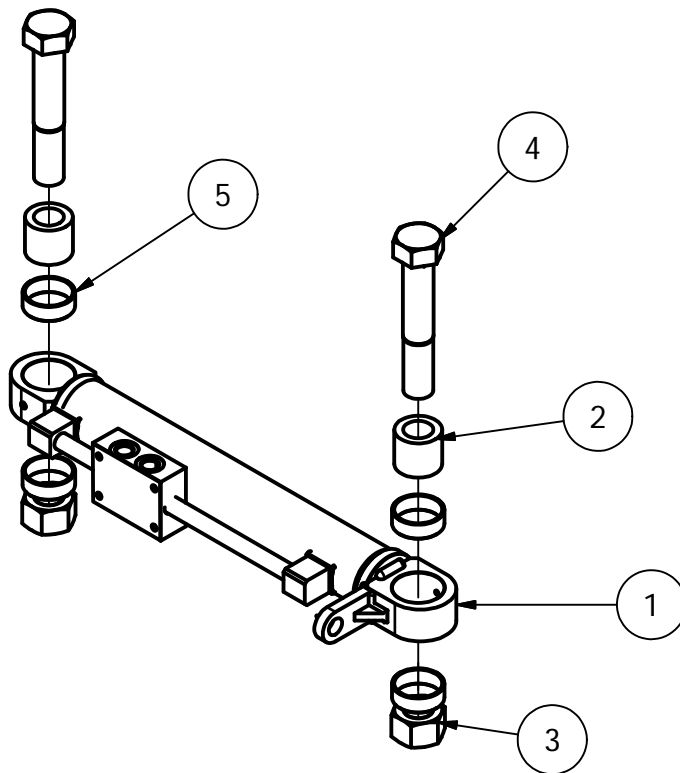
PARTS LIST			
ITEM	QTY	PART NUMBER	DESCRIPTION
1	1	5530-205	2-1/4 X 13 Tilt Cylinder
2	2	5530-130	Cylinder Pivot Bearing
3	2	14902081	Top Lock 1-1/4 - 12, Zinc Plate Grade 8
4	2	14905104	HCS 1-1/4 - 12 x 7, Zinc Plate Grade 8
5	4	1490-5878	Wear Bushing

Cylinder Seal Kit 1490-4756

5530-205

[Back](#)

[Home](#)



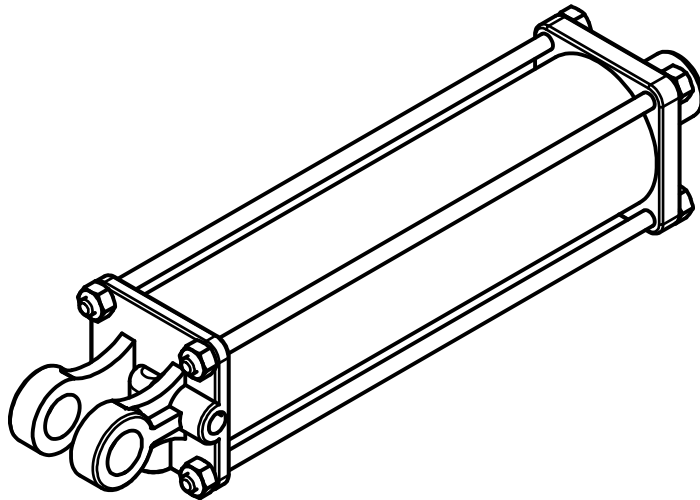
PARTS LIST			
ITEM	QTY	PART NUMBER	DESCRIPTION
1	1	5530-205	2-1/4 X 13 Tilt Cylinder
2	2	5530-130	Cylinder Pivot Bearing
3	2	14902081	Top Lock 1-1/4 - 12, Zinc Plate Grade 8
4	2	14905104	HCS 1-1/4 - 12 x 7, Zinc Plate Grade 8
5	4	1490-5878	Wear Bushing

Cylinder Seal Kit 1490-4756

**Stackdown Cylinder
1490-1896
(3 X 10 X 1-1/2)**

Back

Home

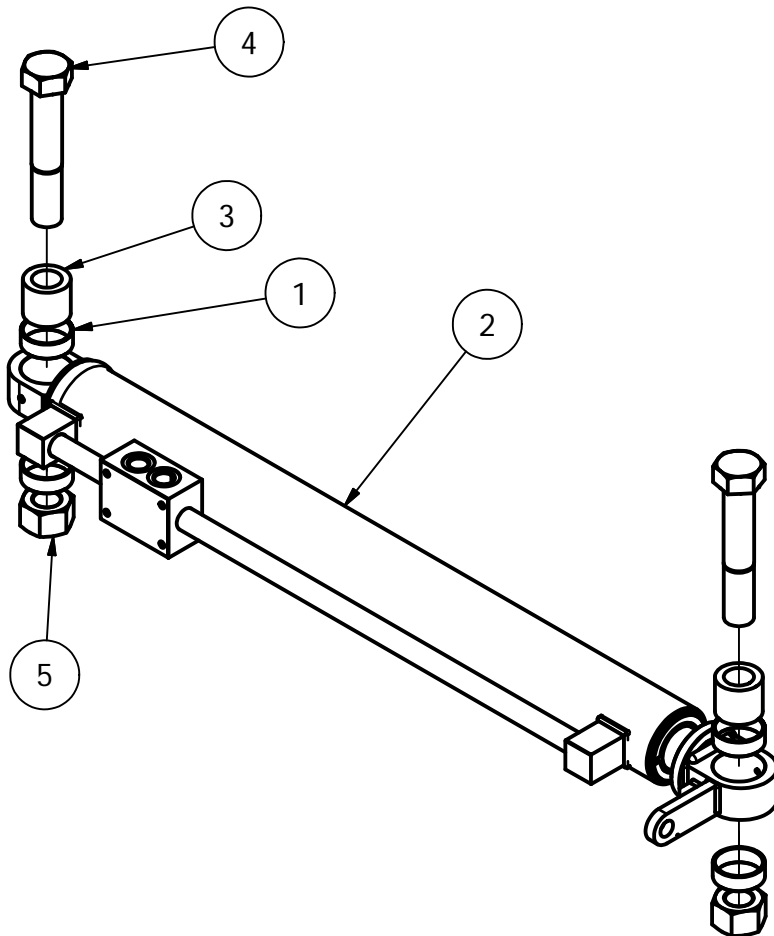


Use seal Kit #1490-2517

5530-204

Back

Home



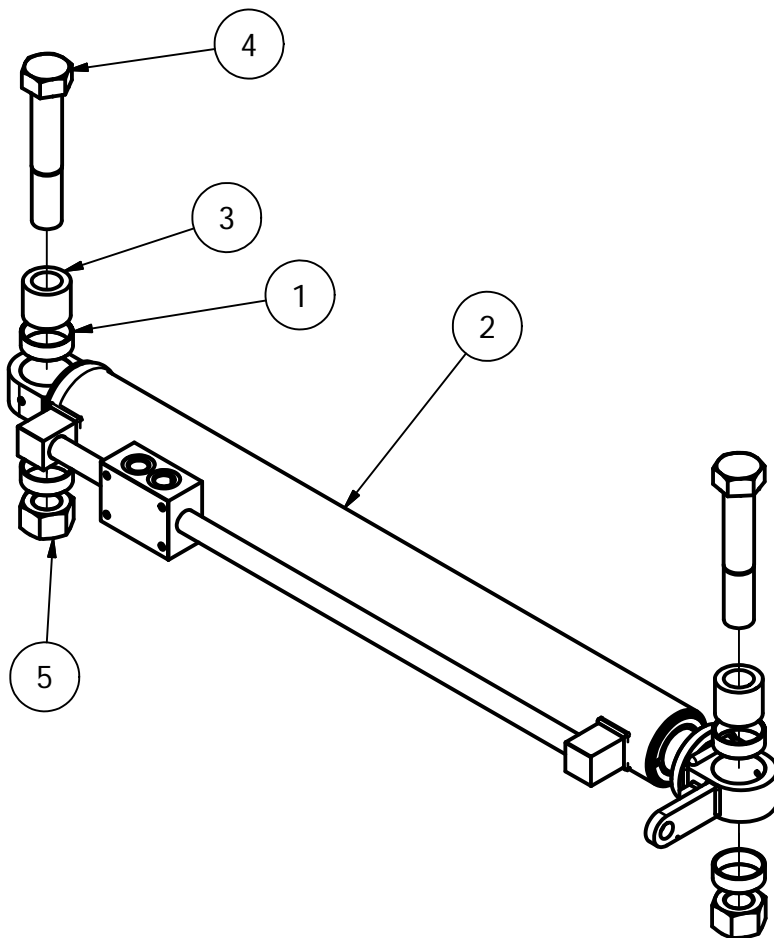
PARTS LIST			
ITEM	QTY	PART NUMBER	DESCRIPTION
1	4	1490-5878	Wear Bushing
2	1	5530204	3 X 30 X 2 Welded Cylinder
3	2	5530-130	Cylinder Pivot Bearing
4	2	14905104	HCS 1-1/4 - 12 x 7, Zinc Plate Grade 8
5	2	14902081	Top Lock 1-1/4 - 12, Zinc Plate Grade 8

Cylinder Seal Kit 1490-5019

5530-204

Back

Home



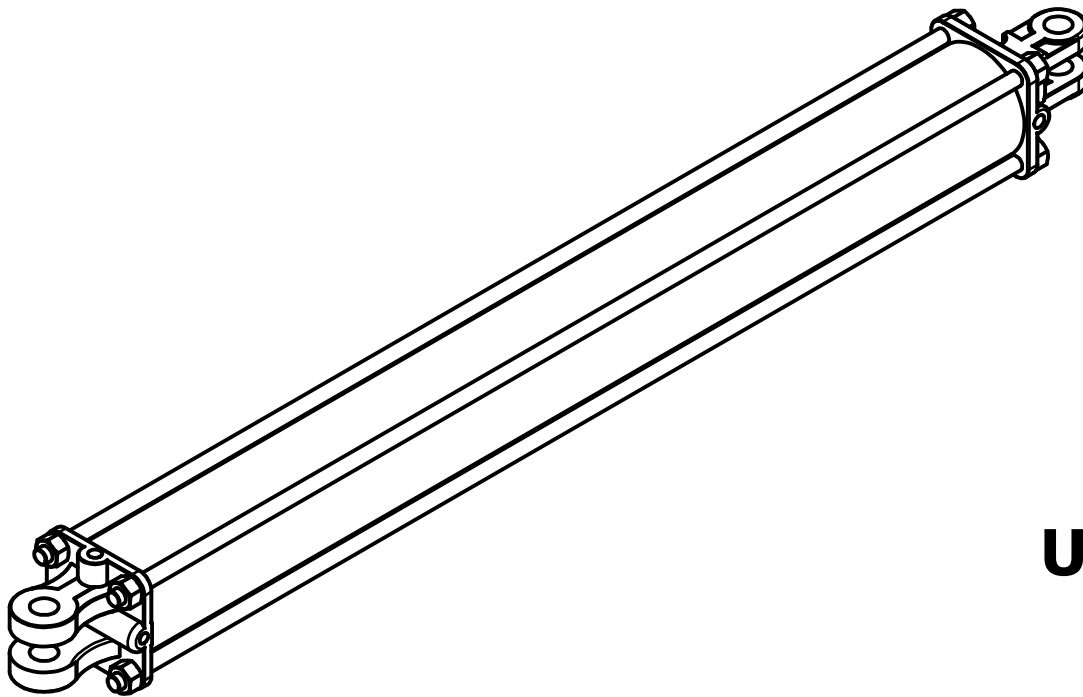
PARTS LIST			
ITEM	QTY	PART NUMBER	DESCRIPTION
1	4	1490-5878	Wear Bushing
2	1	5530204	3 X 30 X 2 Welded Cylinder
3	2	5530-130	Cylinder Pivot Bearing
4	2	14905104	HCS 1-1/4 - 12 x 7, Zinc Plate Grade 8
5	2	14902081	Top Lock 1-1/4 - 12, Zinc Plate Grade 8

Cylinder Seal Kit 1490-5019

**Hoist Cylinder
1490-6921
(5 X 50 X 2.50)**

Back

Home

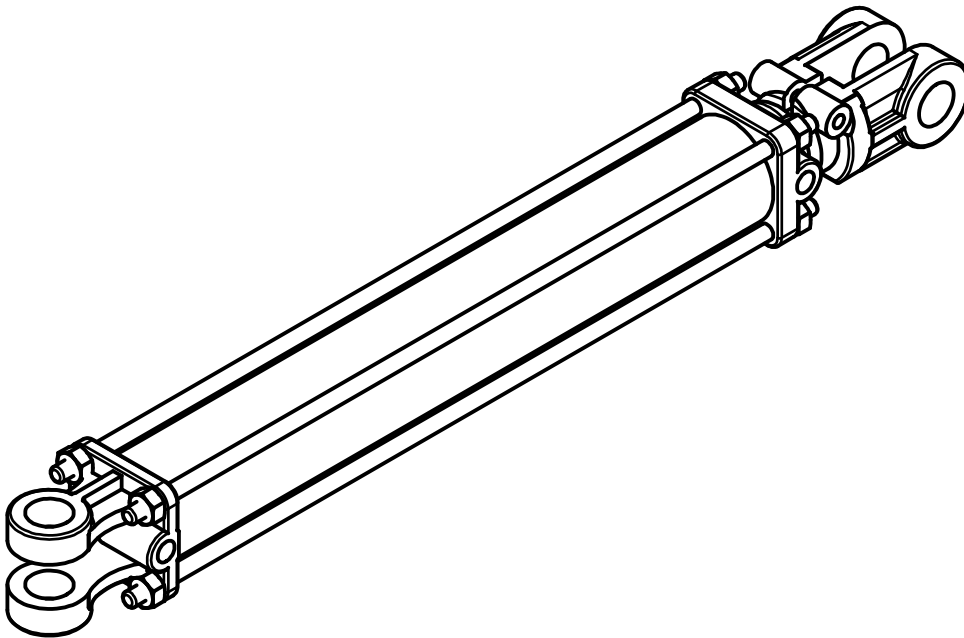


Use Seal Kit # 1490-6928

**Pull-Bar Cylinder
1490-6922
(3 X 52 X 1-1/2)**

Back

Home



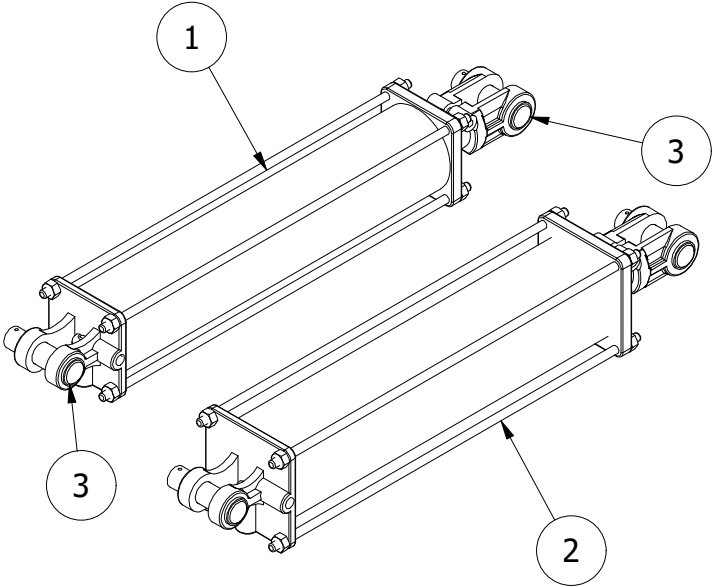
Use Seal Kit # 1490-6929

Squeeze Rail Cylinders

Back

Home

PARTS LIST			
ITEM	QTY	PART NUMBER	DESCRIPTION
1	1	1490-4453	LH Squeeze Cylinder 3-1/2 X 16 X 1-1/4
2	1	1490-4454	RH Squeeze Cylinder 3-3/4 X 16 X 1-3/8
3	4	1490-1863	1 x 3-1/8 Cyl Pin



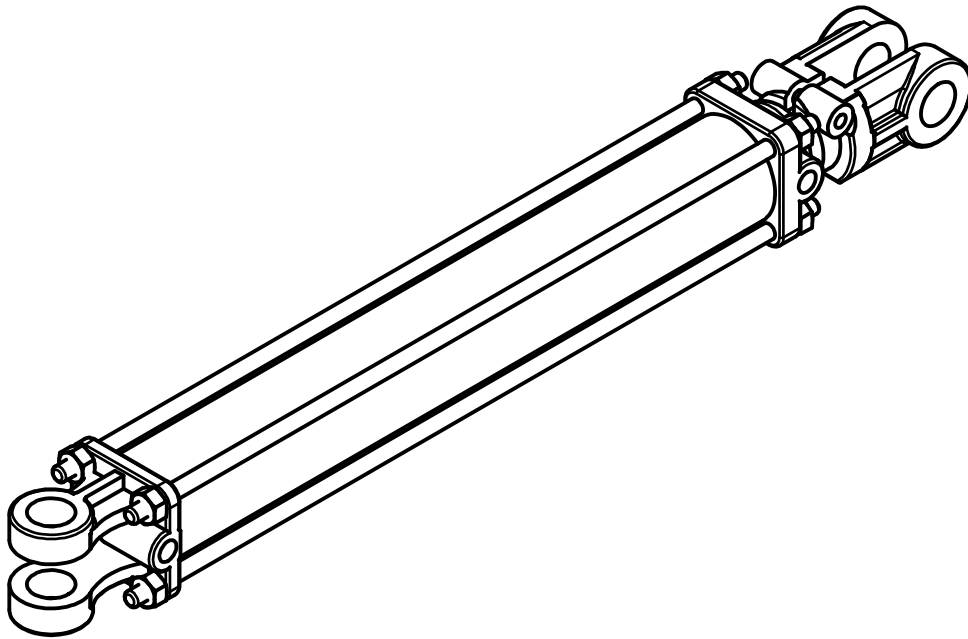
**1490-4453 Use Seal Kit
Part # 1490-5025**

**1490-4454 Use Seal Kit
Part # 1490-5026**

**Push-Off Table Cylinder
1490-6924
(2 X 24 X 1-1/8)**

Back

Home



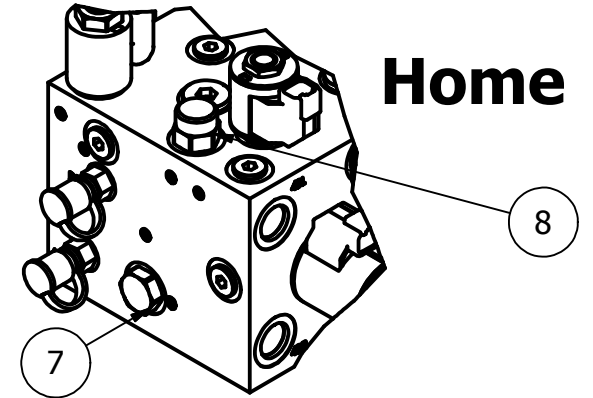
Use Seal Kit # 1490-6931

Main Control Valve #1

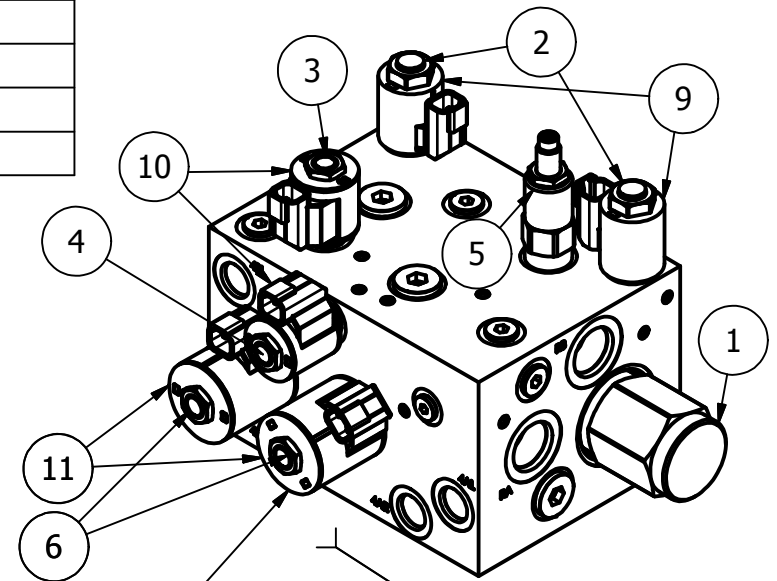
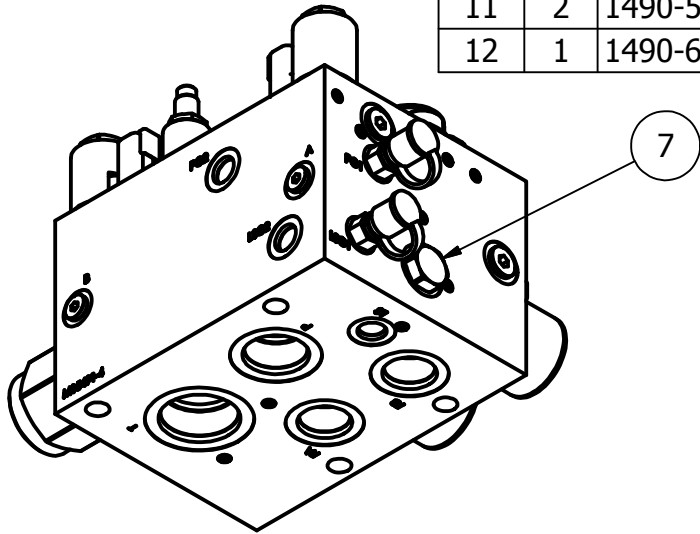
(Complete Assy 1490-5870)

Back

PARTS LIST			
ITEM	QTY	PART NUMBER	DESCRIPTION
1	1	1490-6302	Main 4-way control valve
2	2	1490-5916	EHPR Proportional Relief
3	1	1490-6305	#8 Prop. Valve
4	1	1490-6306	#8 Cartridge Valve
5	1	1490-5925	Relief Valve Main
6	2	1490-5918	Size 10 2-Way
7	1	1490-6569	Shuttle Valve
8	1	1490-6199	Flow Regulator 1.25 gal/min
9	2	1490-5917	EHPR #8 Coil
10	2	1490-6248	12VDC #8 ER Coil
11	2	1490-5920	SV Coil
12	1	1490-6225	#10 Orifice Disk .125



Home



1490-6225 orifice under this valve

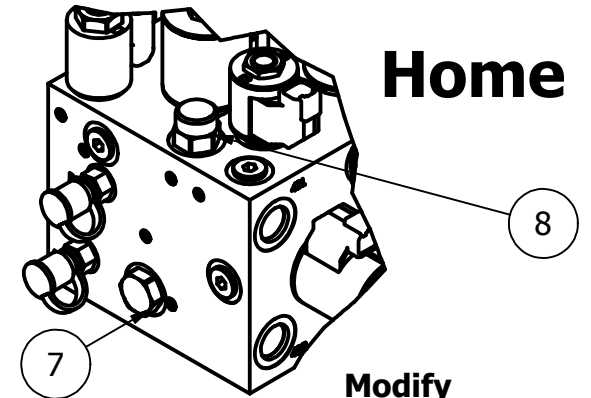
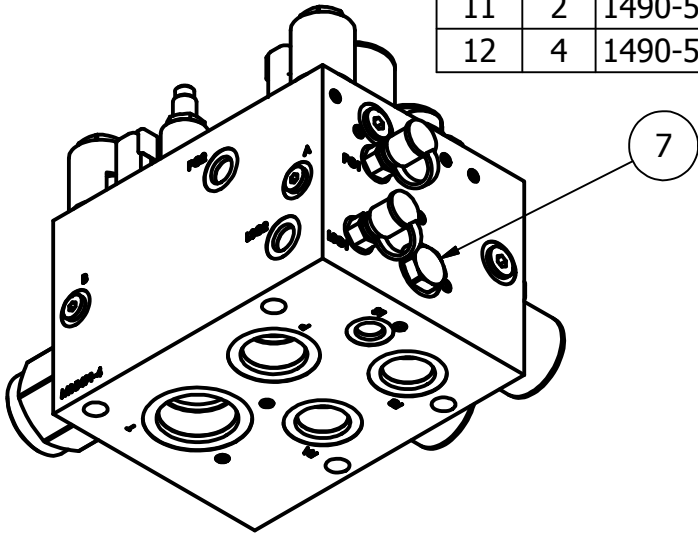
Front

Main Control Valve #2

(Complete Assy 1490-5870 Modified)

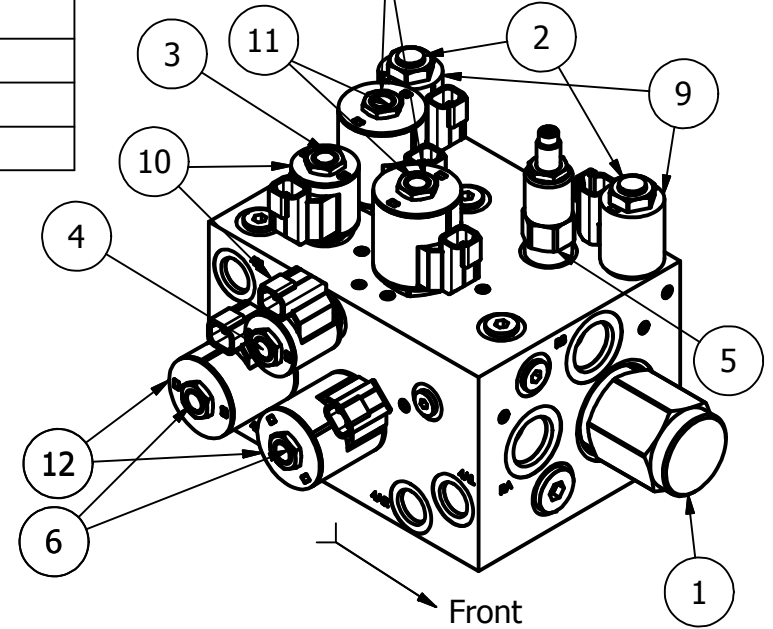
Back

PARTS LIST			
ITEM	QTY	PART NUMBER	DESCRIPTION
1	1	1490-6302	Main 4-way control valve
2	2	1490-5916	EHPR Proportional Relief
3	1	1490-6305	#8 Prop. Valve
4	1	1490-6306	#8 Cartridge Valve
5	1	1490-5925	Relief Valve Main
6	2	1490-5918	Size 10 2-Way
7	1	1490-6569	Shuttle Valve
8	1	1490-6199	Flow Regulator 1.25 gal/min
9	2	1490-5917	EHPR #8 Coil
10	2	1490-6248	12VDC #8 ER Coil
11	2	1490-5919	Size 12 2-Way
12	4	1490-5920	SV Coil



Modify

-Add 2 - 1490-5919 #12 Valves with 1490-5920 SV Coils for Dbl Turn



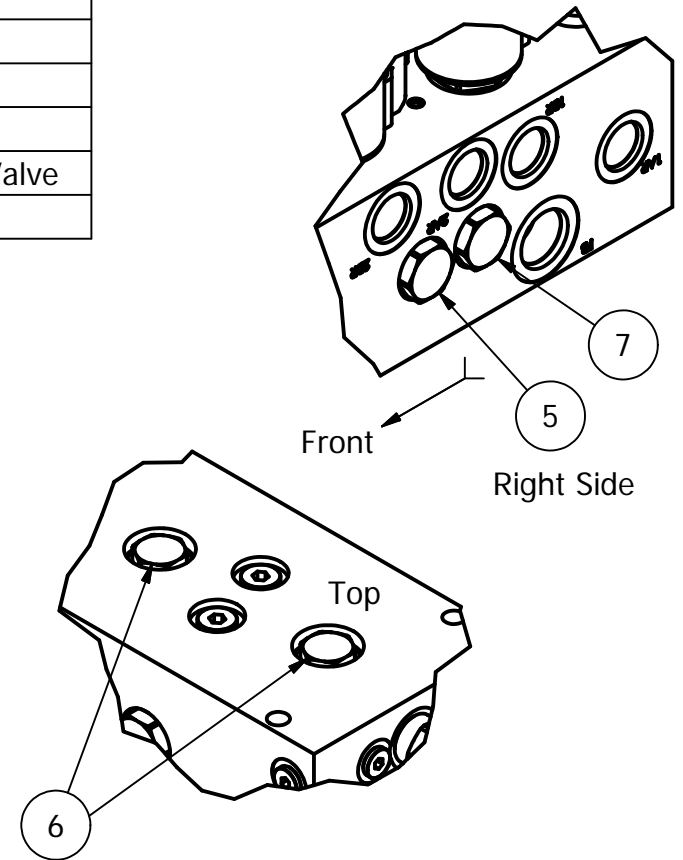
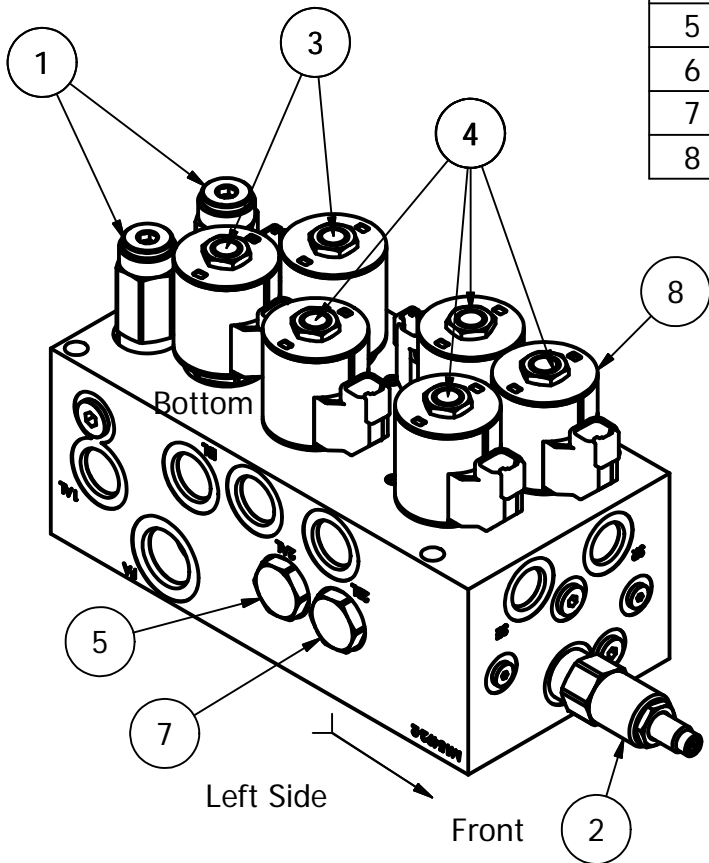
Frontend Control Valve

(1490-5871)

PARTS LIST			
ITEM	QTY	PART NUMBER	DESCRIPTION
1	2	1490-5926	Relief Valve Front Down
2	1	1490-5924	Relief Valve Front/Rear
3	2	1490-5919	Size 12 2-Way
4	4	1490-5918	Size 10 2-Way
5	2	1490-5922	Size 10 Check Valve
6	2	1490-5923	Size 08 Check Valve
7	2	1490-5921	Pilot Check Cartridge Valve
8	6	1490-5920	SV Coil

Back

Home



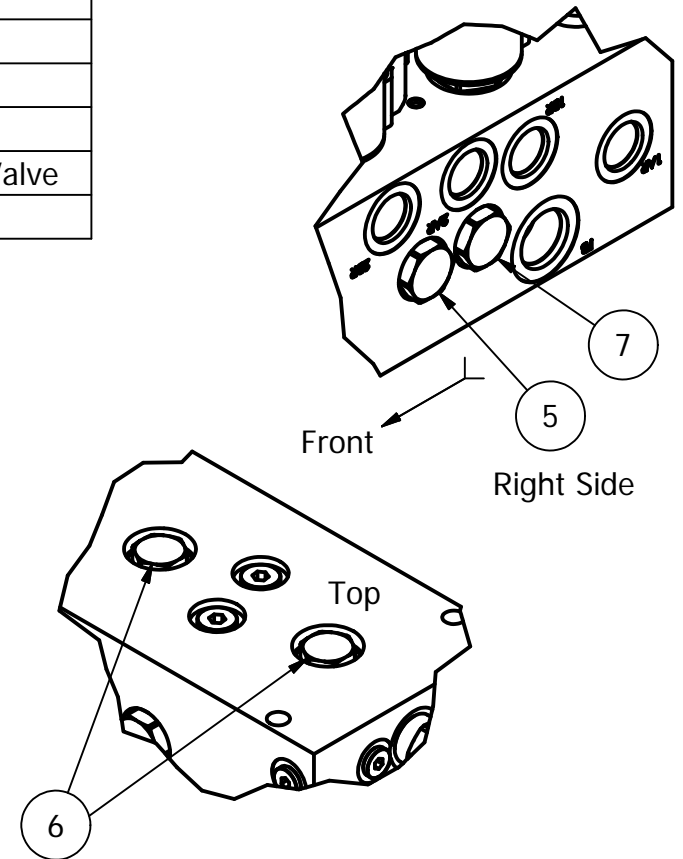
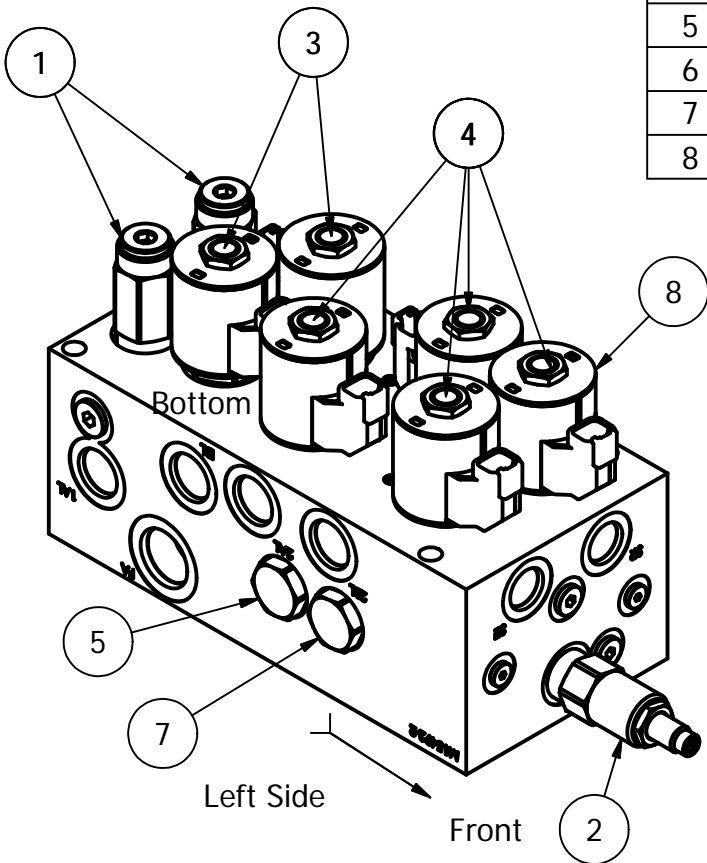
Frontend Control Valve

(1490-5871)

PARTS LIST			
ITEM	QTY	PART NUMBER	DESCRIPTION
1	2	1490-5926	Relief Valve Front Down
2	1	1490-5924	Relief Valve Front/Rear
3	2	1490-5919	Size 12 2-Way
4	4	1490-5918	Size 10 2-Way
5	2	1490-5922	Size 10 Check Valve
6	2	1490-5923	Size 08 Check Valve
7	2	1490-5921	Pilot Check Cartridge Valve
8	6	1490-5920	SV Coil

Back

Home



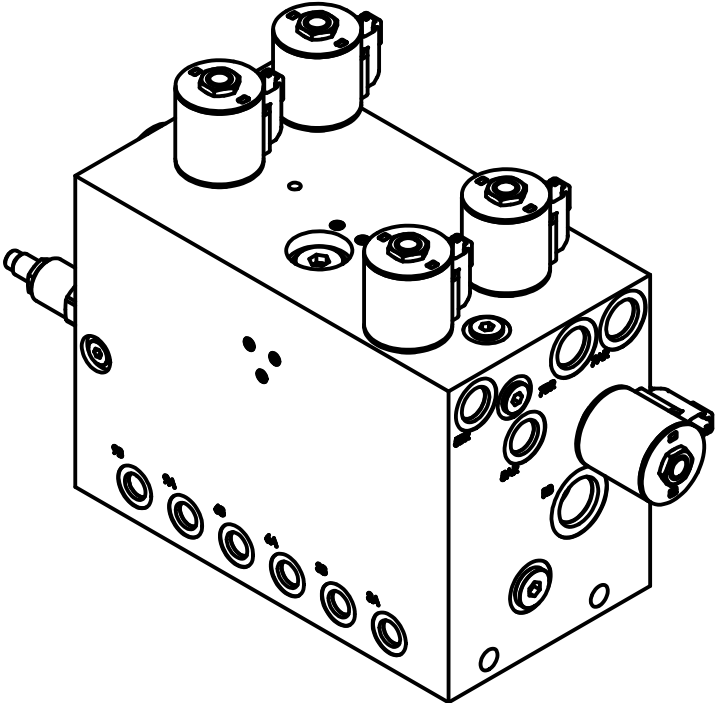
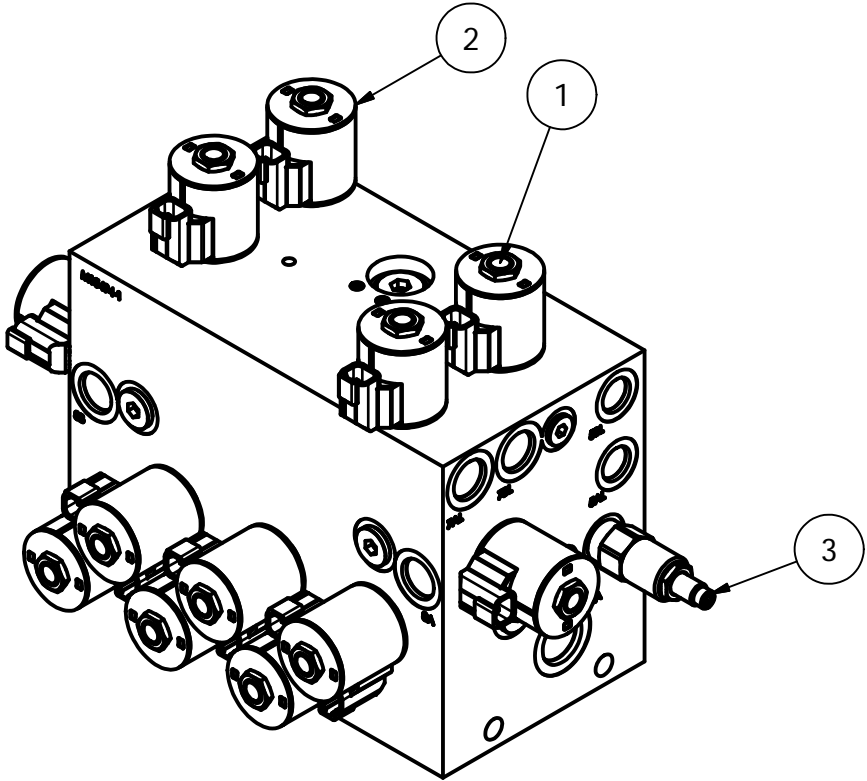
Rear Control Valve

(1490-5873)

Back

PARTS LIST			
ITEM	QTY	PART NUMBER	DESCRIPTION
1	12	1490-5918	Size 10 2-Way
2	12	1490-5920	SV Coil
3	1	1490-5924	Relief Valve Front/Rear

Home

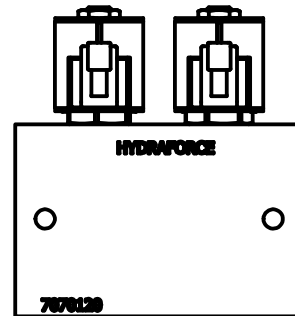
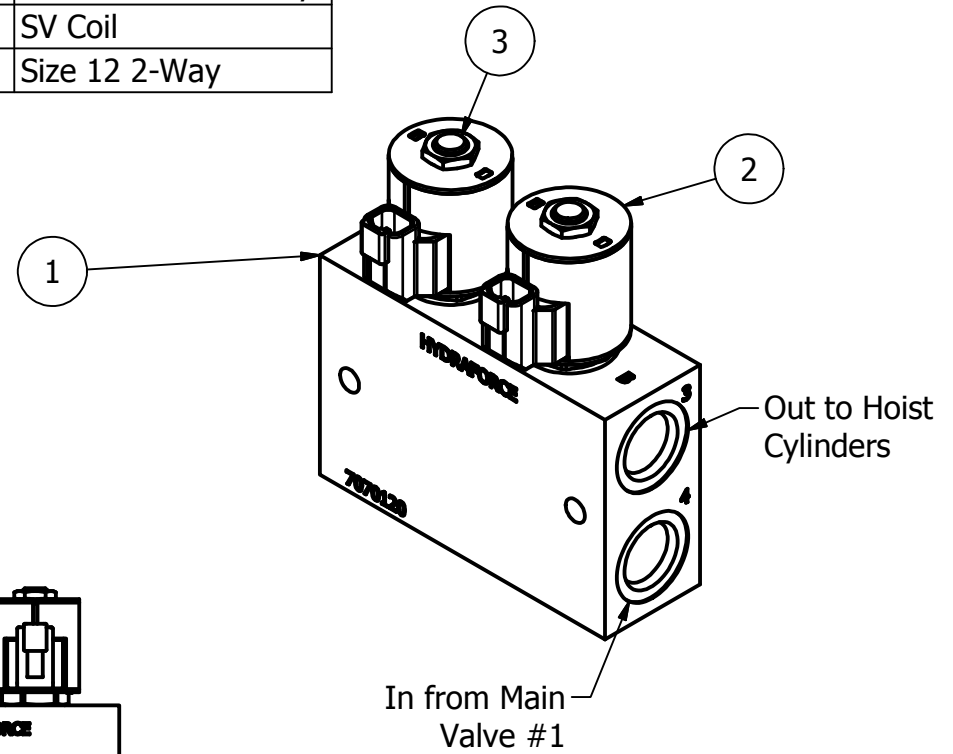
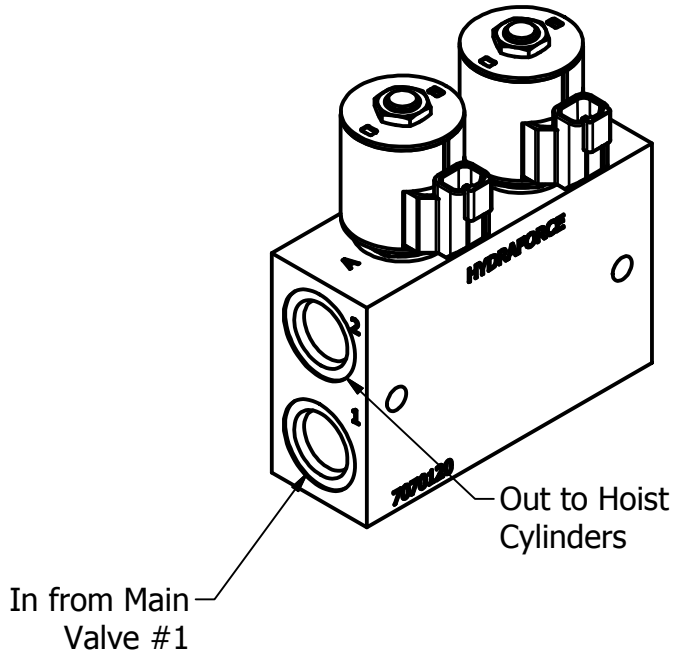


Stinger 8500 Hoist Valve

Back

Home

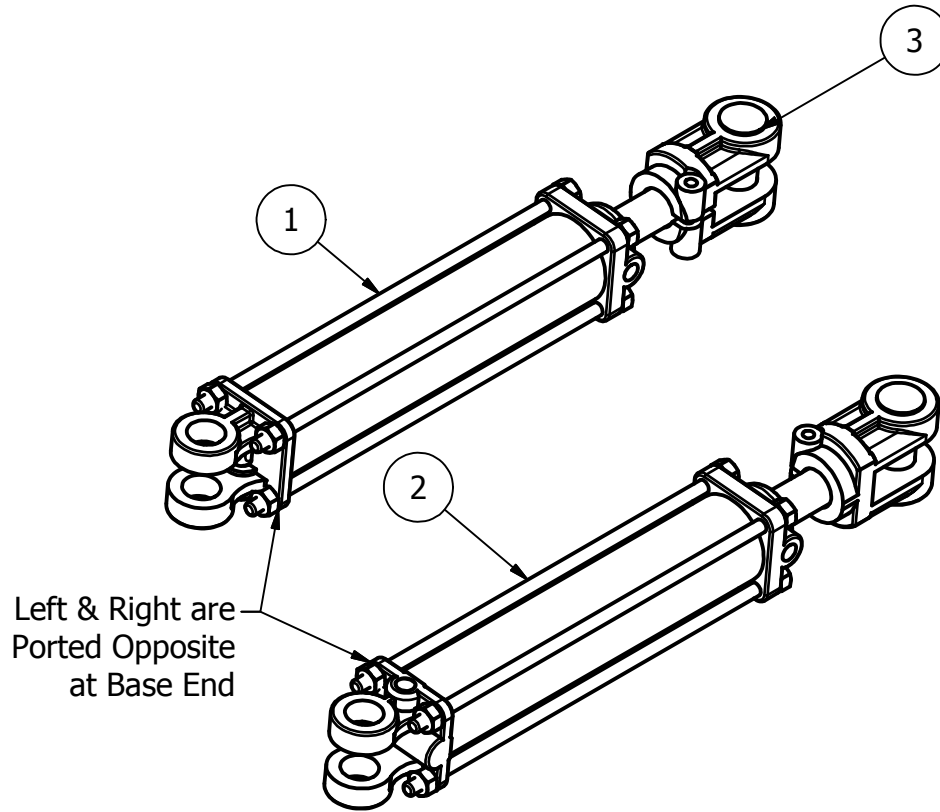
PARTS LIST			
ITEM	QTY	PART NUMBER	DESCRIPTION
1	1	8500 Hoist Valve	2 X 4 X 6 Valve Body
2	2	1490-5920	SV Coil
3	2	1490-5919	Size 12 2-Way



Slide Assist Cylinder

Back

Home



Left & Right are
Ported Opposite
at Base End

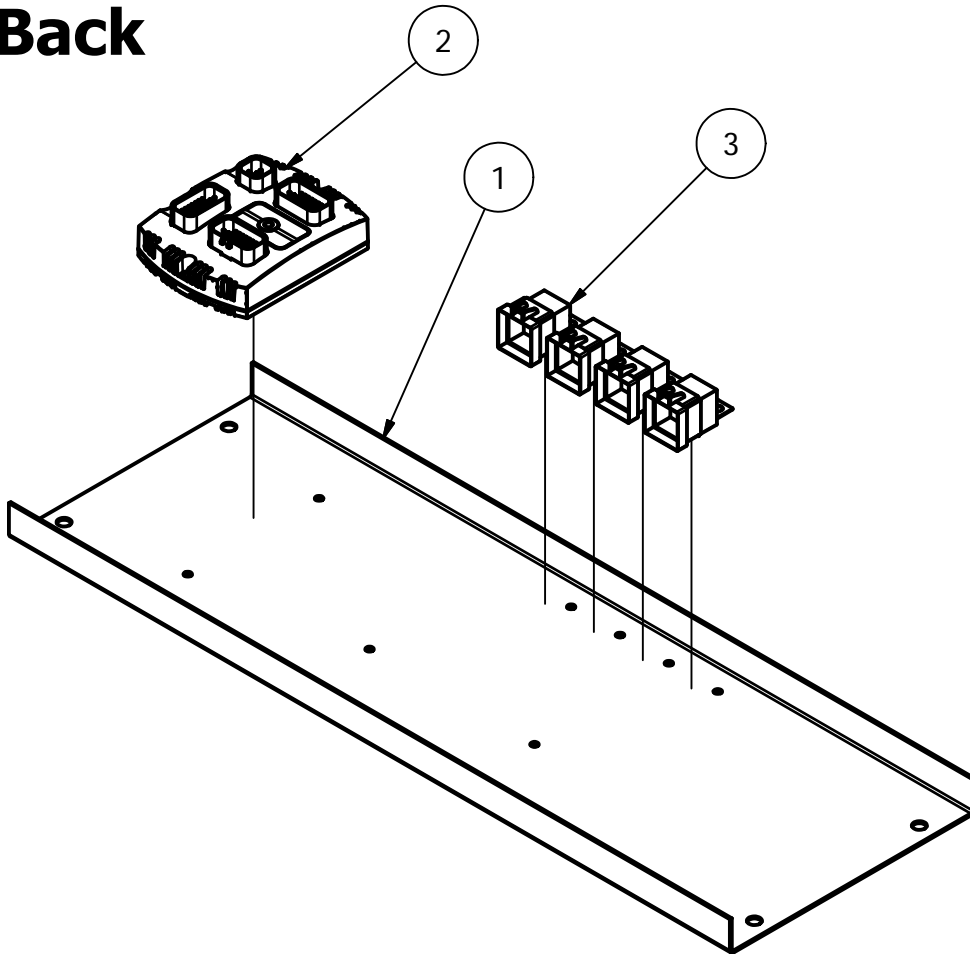
PARTS LIST			
ITEM	QTY	PART NUMBER	DESCRIPTION
1	2	1490-5146	RF & LR 1/4 Turn Cyl
2	2	1490-5145	LF & RR 1/4 Turn Cyl.
3	4	1490-4566	1 X 2-3/4 Cylinder Pin
4	4	Cotter Pin	1/8 X 1-3/8 Cotter Pin

**1490-5145 & 1490-5146 Use
Seal Kit # 1490-4627**

ECU Plate Detail

Back

Home

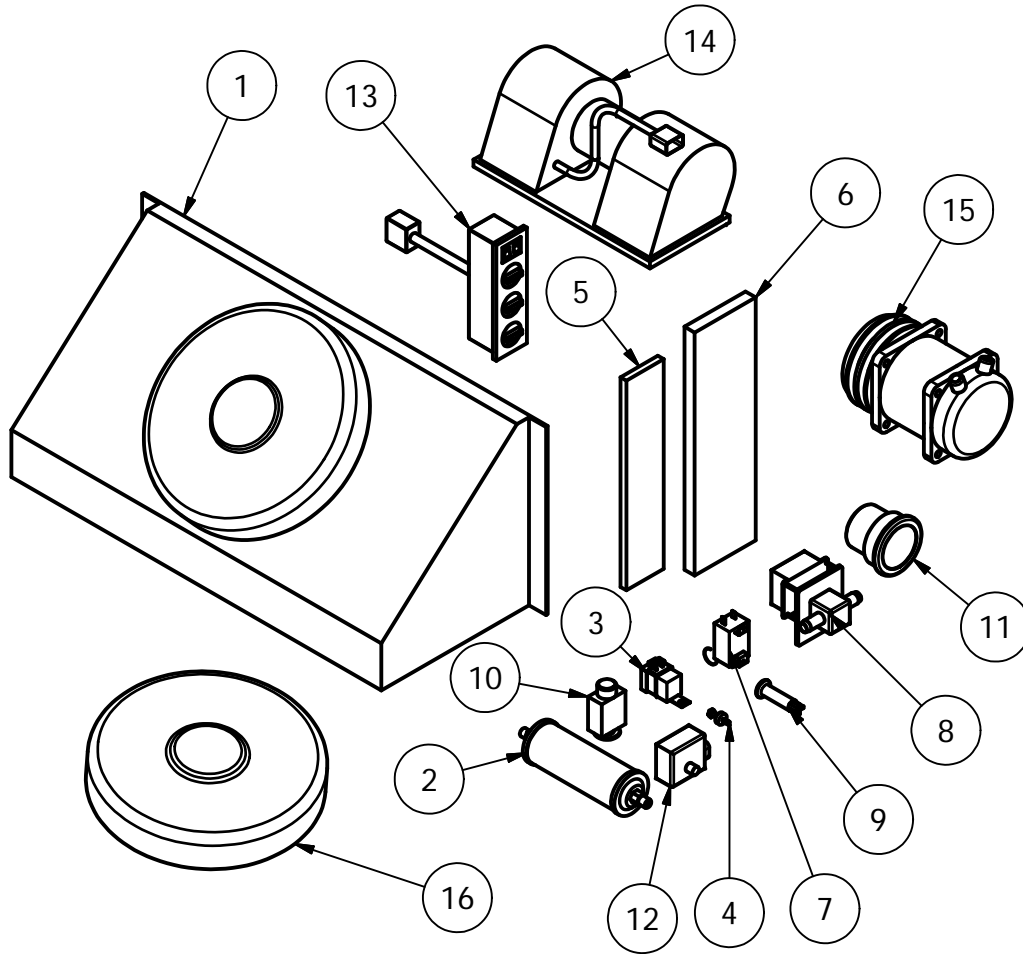


PARTS LIST			
ITEM	QTY	PART NUMBER	DESCRIPTION
1	1	5550-335	ECU Wiring Mount
2	1	1490-6083	Hydraforce 2415 ECU
3	4	1490-5053	Water Tight Relay 12V (A/C)

A/C Detail

Back

Home



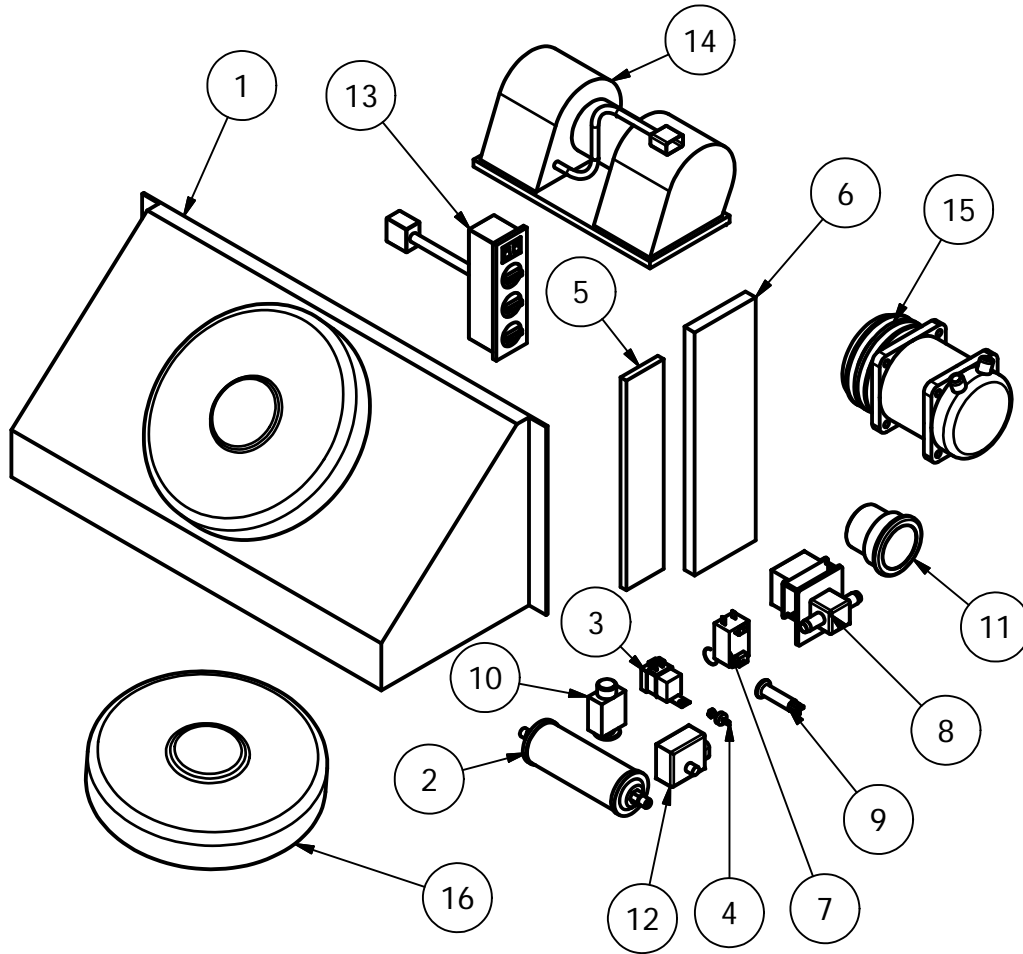
PARTS LIST			
ITEM	QTY	PART NUMBER	DESCRIPTION
1	1	1490-3737	Remote A/C Condensor Complete Assy
2	1	1490-4658	Receiver Drier
3	1	1490-5053	Water Tight Relay 12V (A/C)
4	1	1490-5629	Diode
5	1	1490-6329	Recirculating Filter (Foam)
6	1	1490-6328	Fresh Air Filter (Paper)
7	1	1490-6331	Thermostat
8	1	1490-6330	Water Valve 12V
9	1	1490-6336	Condensate drain duckbill
10	1	1490-6332	Expansion Valve
11	1	1490-6334	A/C louver vent
12	1	1490-6337	Air Flow Control Motor
13	1	1490-6335	A/C Control Panel
14	1	1490-6333	Blower Motor (Cab)
15	1	1490-4628	Compressor
16	1	1490-6572	Condensor Electric Fan

Charge with approx. 4-1/4 lbs of R-134A

A/C Detail

Back

Home



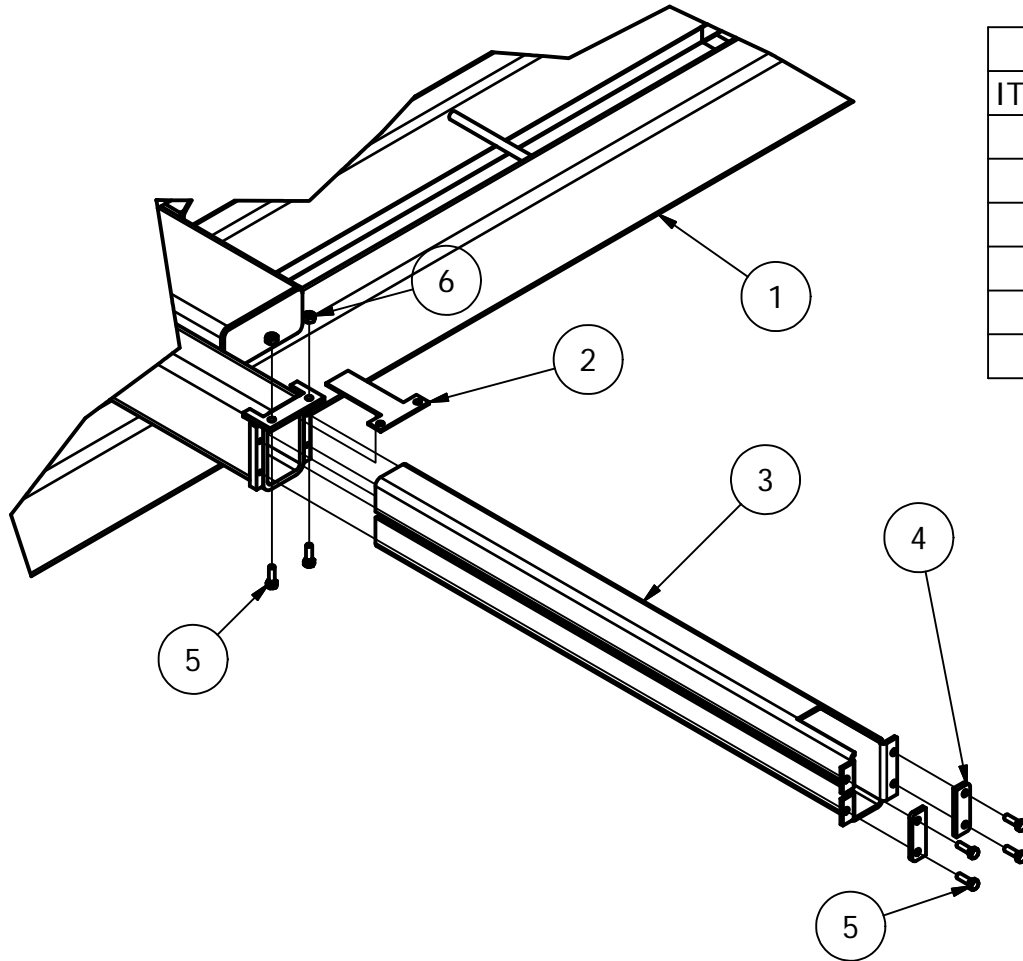
PARTS LIST			
ITEM	QTY	PART NUMBER	DESCRIPTION
1	1	1490-3737	Remote A/C Condensor Complete Assy
2	1	1490-4658	Receiver Drier
3	1	1490-5053	Water Tight Relay 12V (A/C)
4	1	1490-5629	Diode
5	1	1490-6329	Recirculating Filter (Foam)
6	1	1490-6328	Fresh Air Filter (Paper)
7	1	1490-6331	Thermostat
8	1	1490-6330	Water Valve 12V
9	1	1490-6336	Condensate drain duckbill
10	1	1490-6332	Expansion Valve
11	1	1490-6334	A/C louver vent
12	1	1490-6337	Air Flow Control Motor
13	1	1490-6335	A/C Control Panel
14	1	1490-6333	Blower Motor (Cab)
15	1	1490-4628	Compressor
16	1	1490-6572	Condensor Electric Fan

Charge with approx. 4-1/4 lbs of R-134A

Squeeze Rail Poly Detail

Back

Home



PARTS LIST			
ITEM	QTY	PART NUMBER	DESCRIPTION
1	1	6560A	500 Series Stacking Main Slide Assembly
2	4	2460-328	Squeeze Wear Plate
3	4	2460-331	36" Squeeze Poly Liner
4	8	2460-320	Squeeze Poly Strap
5	24	5/16-18 X 1	Hex Bolt
6	8	5/16 - 18	Hex Nut

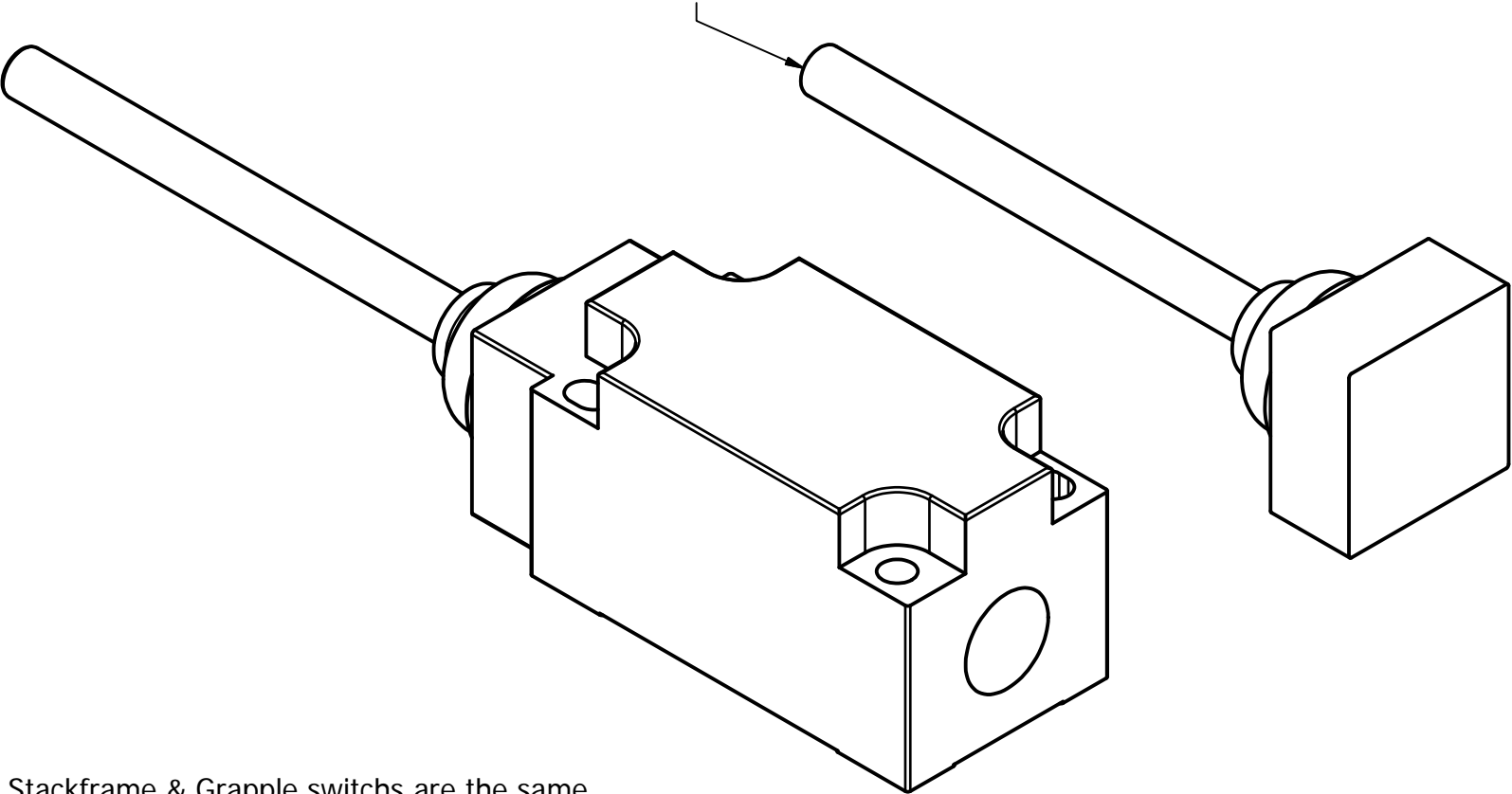
StackFrame Microswitch

1490-5764

Back

Home

Head assy Only W/Spring Arm
1490-6080

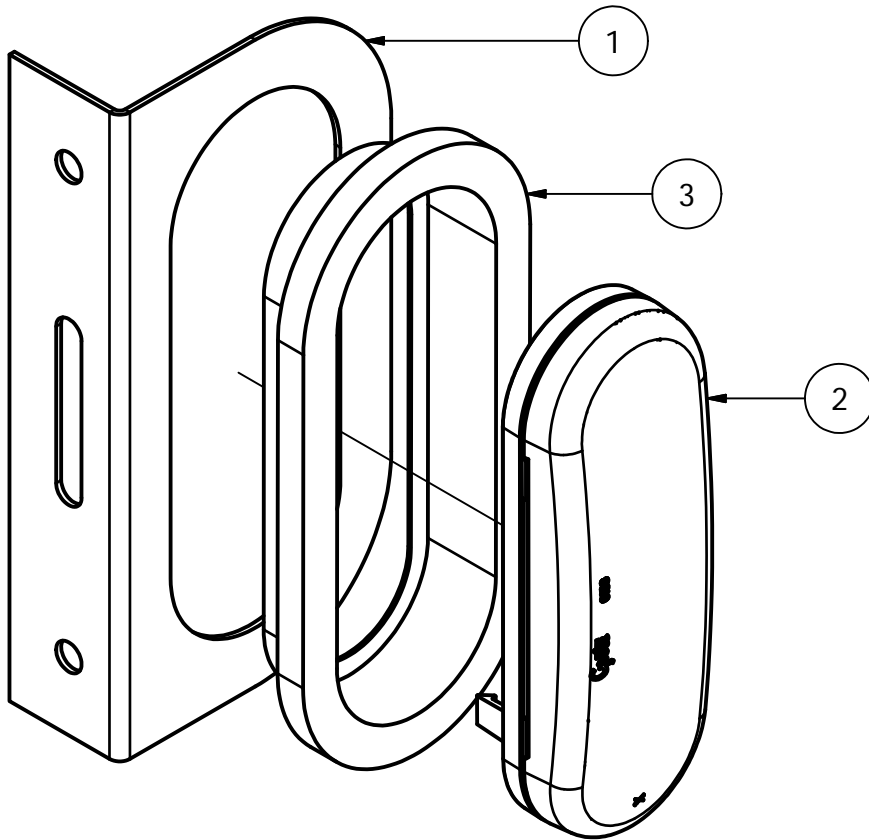


Stackframe & Grapple switches are the same

Compartment Light Detail

Back

Home



PARTS LIST			
ITEM	QTY	PART NUMBER	DESCRIPTION
1	1	1490-3502	Black Steel Oval Light Bracket
2	1	1490-6321	Oval 6" LED Dome Compartment Light
3	1	1490-6265	Rubber Grommet for Tail lights

Rear Axle Components

Back

Home

**Complete
Assy**

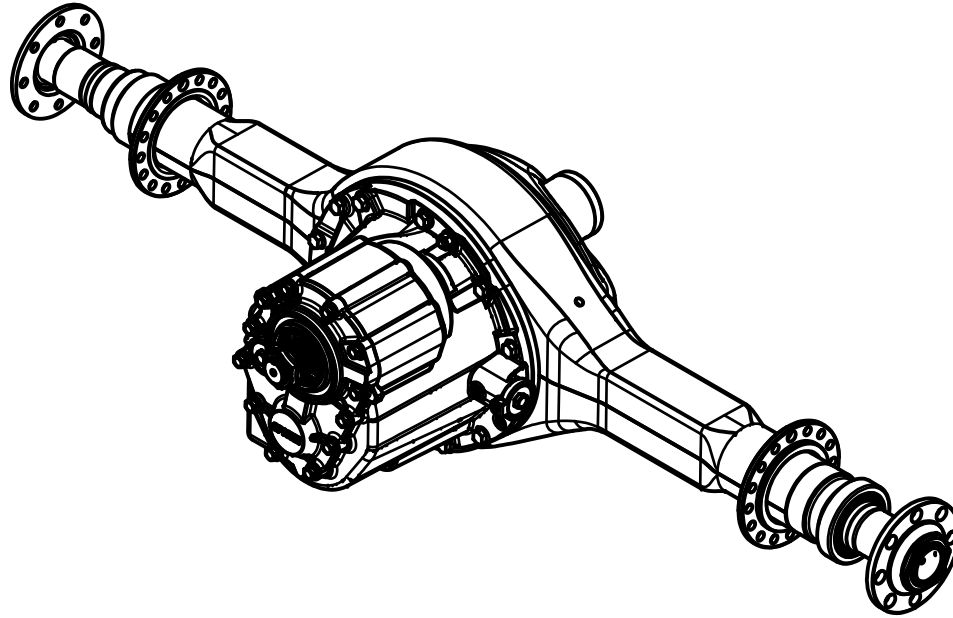
**Drive
Axle**

**Hub &
Brakes**

**Wheel Studs
& Nuts**

**Seals &
Bearings**

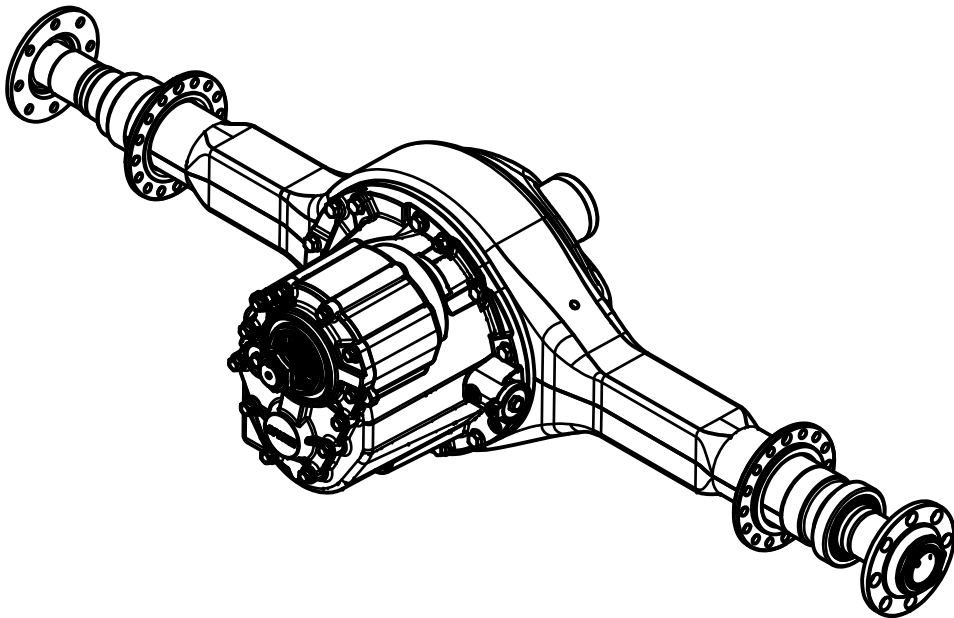
**Drive
Shaft**



Rear Axle Assemblies

[Back](#)

[Home](#)



**Complete Axle Assy S26-590
Part #1490-6183**

(No Hub or Drum)

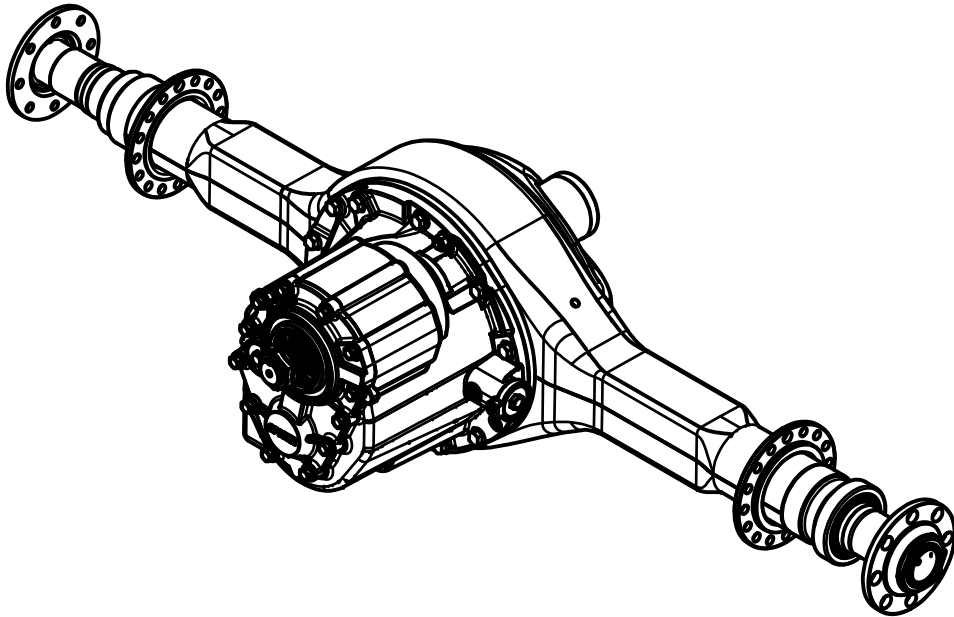
**Complete Loaded Head Assy
Part #1490-6009**



Rear Axle Seals & Bearings

[Back](#)

[Home](#)



**Inner Rear Axle Bearing
Part #1490-6018**

**Outer Rear Axle Bearing
Part #1490-6019**

**Rear Wheel Seal
Part #1490-5165**

**Rear Wheel Wear Sleeve
Part #1490-5503**

Wheel Stud & Nut Detail

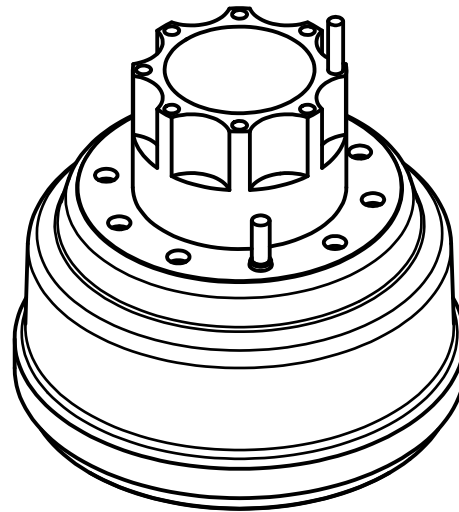
Back

Duals

**Euclid Nut Rear LH
Inner 1490-6221
Outer 1490-5798**

**Euclid Nut Rear RH
Inner 1490-6220
Outer 1490-5797**

**Rear Hub &
Brake**



Home

Singles

**Euclid Rear 3/4-16 LH
Stud Part #1490-4486
Nut Part #1490-2335**

**Euclid Rear 3/4-16 RH
Stud Part #1490-4485
Nut Part #1490-2336**

**Rear Axle
Detail**

Rear Axle Plate Detail

Back

Home

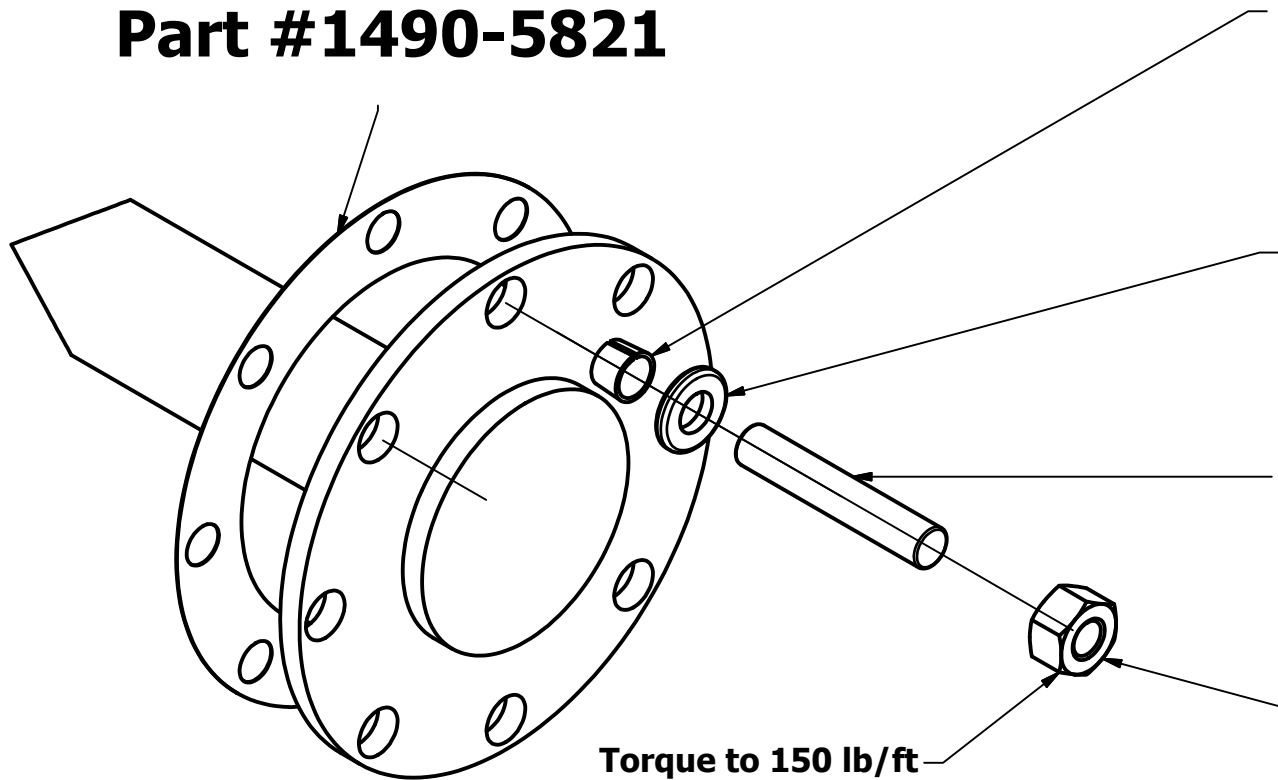
**Axle Flange Gasket
Part #1490-5821**

**Axle Shaft Cone
Part #1490-5605**

**Axle Shaft Washer
Part #1490-5606**

**Axle Drive Stud
Part #1490-5027**

**Axle Shaft Nut
Part #1490-5607**



Torque to 150 lb/ft

Wheel Stud & Nut Detail

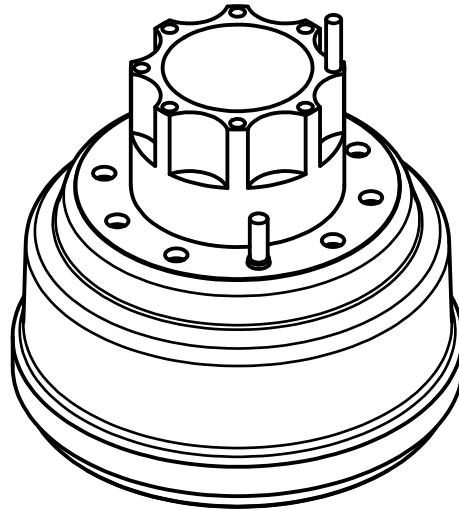
Back

Duals

**Euclid Nut Rear LH
Inner 1490-6221
Outer 1490-5798**

**Euclid Nut Rear RH
Inner 1490-6220
Outer 1490-5797**

**Rear Hub &
Brake**



Home

Singles

**Euclid Rear 3/4-16 LH
Stud Part #1490-4486
Nut Part #1490-2335**

**Euclid Rear 3/4-16 RH
Stud Part #1490-4485
Nut Part #1490-2336**

**Rear Axle
Detail**

Rear Axle Wheel Studs & Nuts

[Back](#)

[Home](#)

S/N A1006 & Newer with Hub Pilot Wheels

M22x1.5 Thread

Euclid Stud: Part # 1490-5803

Euclid Nut: Part # 1490-5794

S/N A1000 thru A1005 with Stud Pilot Wheels

3/4-16 LH thread

Euclid Stud: Part # 1490-4486

Euclid Nut: Part # 1490-2335

3/4-16 RH thread

Euclid Stud: Part # 1490-4485

Euclid Nut: Part # 1490-2336

Rear Axle Shaft

[Back](#)

[Home](#)

Rear Axle Short

1490-5674

S/N 393-790, 792-794

1490-7001

S/N 791, 795 & Later

**Rear Axle
Plate Detail**

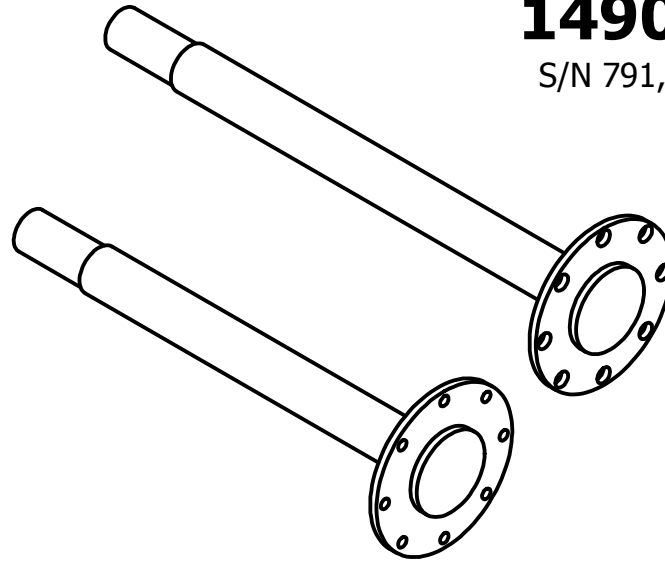
Rear Axle Long

1490-5673

S/N 393-790, 792-794

1490-7000

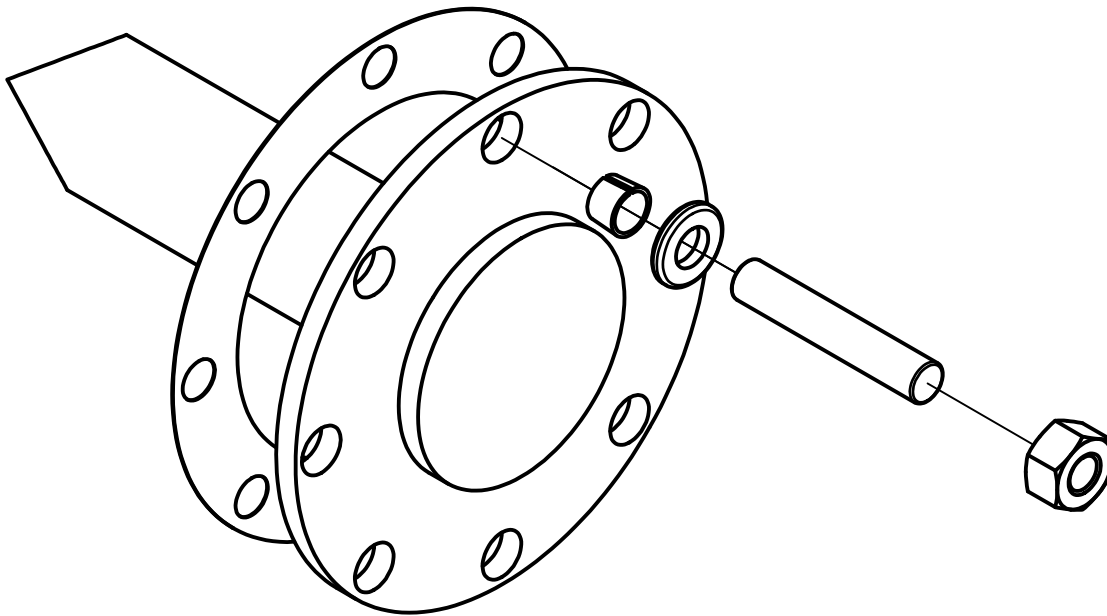
S/N 791, 795 & Later



Rear Axle Plate Detail

Back

**Axle Flange Gasket
Part #1490-5821**



Home

**Axle Drive Stud
Part #1490-5027**

**Axle Shaft Nut
Part #1490-5607**

**Axle Shaft Washer
Part #1490-5606**

**Axle Shaft Cone
Part #1490-5605**

Rear Axle Shaft

[Back](#)

[Home](#)

Rear Axle Short

1490-5674

S/N 393-790, 792-794

1490-7001

S/N 791, 795 & Later

**Rear Axle
Plate Detail**

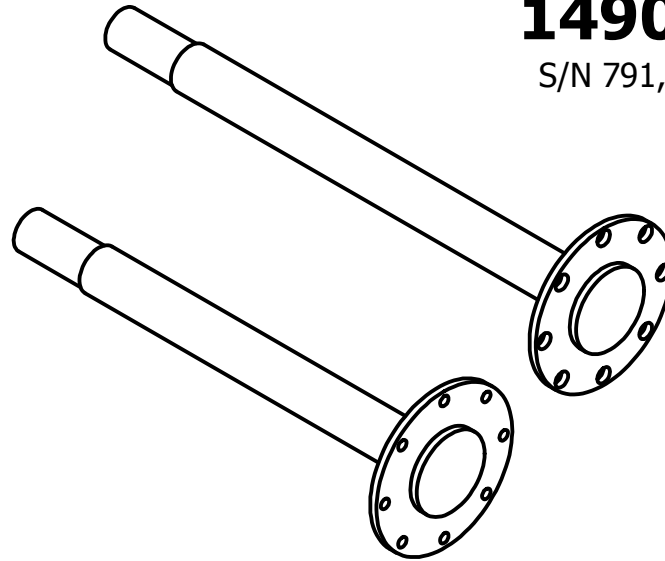
Rear Axle Long

1490-5673

S/N 393-790, 792-794

1490-7000

S/N 791, 795 & Later

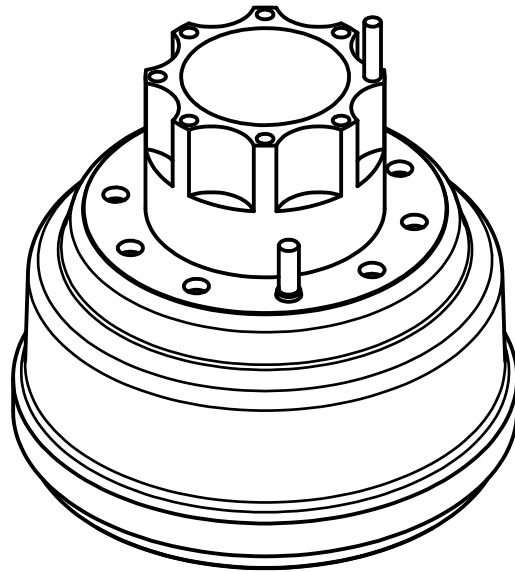


Rear Axle Brake Parts

Hub & Drum Assemblies Come with Wheel & Axle Plate Studs
(No Nuts, Cones, Washers, or Gasket)

[Back](#)

[Home](#)



RH Hub & Drum Assy
Part #1490-5835

LH Hub & Drum Assy
Part #1490-5836

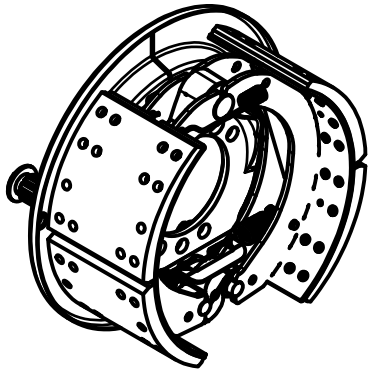
Eaton Lined Shoe Set
Part #1490-4907
(1 Per Wheel)

Brake Pad Sets

(come with mounting Hardware Kit)

Back

Home



Front Axle Eaton Lined Shoe Set Part #1490-4906

(1 set per Wheel)

Rear Axle Eaton Lined Shoe Set Part #1490-4907

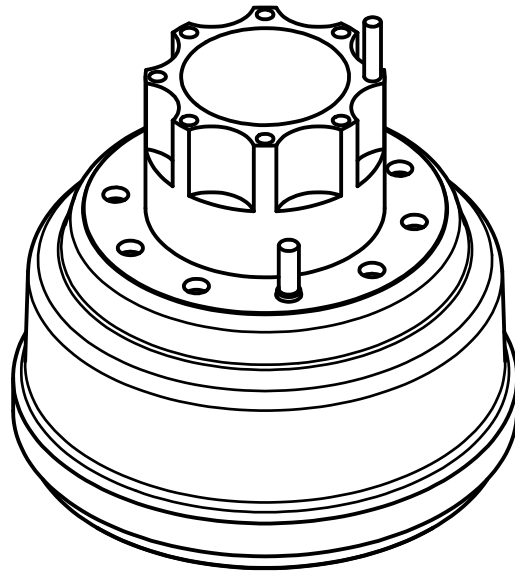
(1 set per Wheel)

Rear Axle Brake Parts

Hub & Drum Assemblies Come with Wheel & Axle Plate Studs
(No Nuts, Cones, Washers, or Gasket)

[Back](#)

[Home](#)



RH Hub & Drum Assy
Part #1490-5835

LH Hub & Drum Assy
Part #1490-5836

Eaton Lined Shoe Set
Part #1490-4907
(1 Per Wheel)

Drive Shaft Parts

[Back](#)

[Home](#)

**Complete PTS Driveshaft Assy W/U-Joints
and "@" Fuses Part #1490-+* &***

U-Joint Only Part # 1490-2454

"L" Fuse Set Part # 1490-5750

Front Axle Components

Back

Home

Brakes

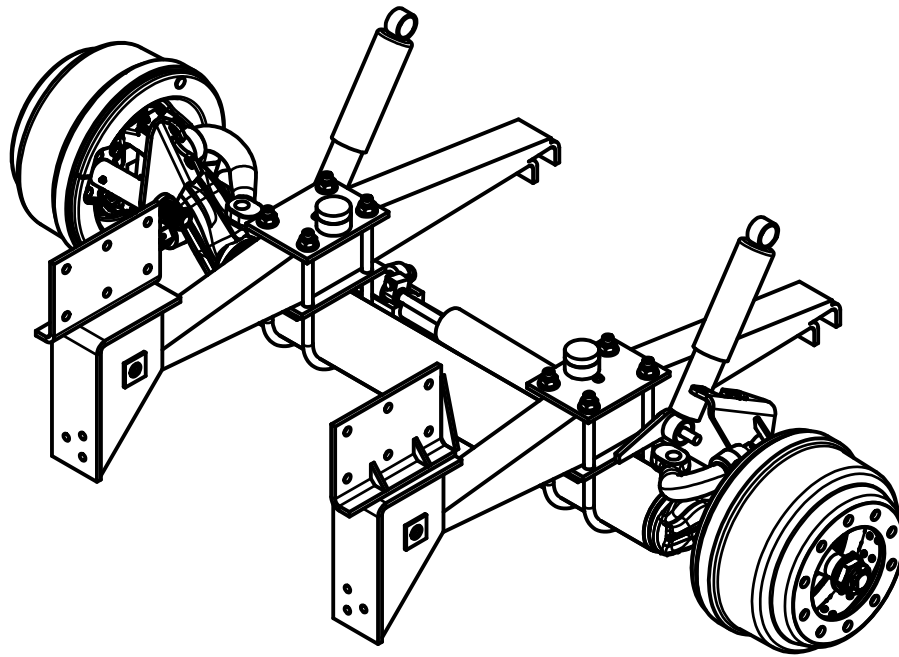
Wheel Studs

Steering

Shocks & Bumper

Springs & Hangers

Other



**Front Axle Wheel
Studs & Nuts**

[Back](#)

[Home](#)

**Euclid Stud Front Hub Pilot M22x1.5
Part # 1490-5803**

**Euclid Nut Front Hub Pilot M22x1.5
Part # 1490-5794**



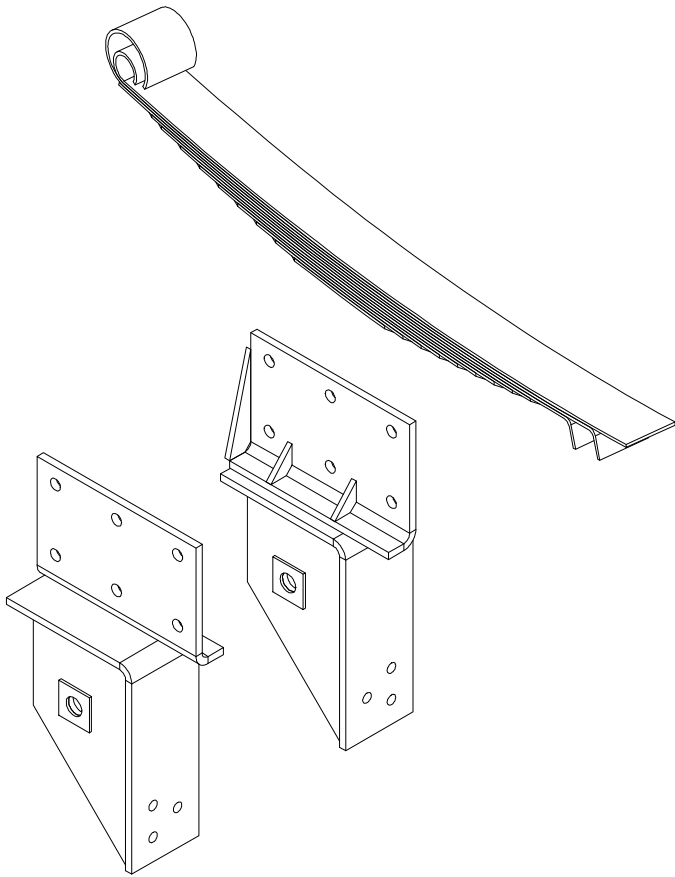
Front Spring Stack

(2014 and Newer 11,250 lb stack)

12 Leaf Front Spring Stack

1490-4989

U-bolt 1490-5805, Washer & Nut 1490-6022, 1490-5405
Spring Bolt & Nut 1490-5003, 1490-5004



LH Front Spring Hanger

Part # 1490-4730

RH Front Spring Hanger

Part # 1490-4731

**Bushing &
Poly Parts**

**Front Axle Wheel
Studs & Nuts**

[Back](#)

[Home](#)

**Euclid Stud Front Hub Pilot M22x1.5
Part # 1490-5803**

**Euclid Nut Front Hub Pilot M22x1.5
Part # 1490-5794**

12 Leaf Front Spring Stack
1490-4989

U-bolt 1490-5805, Washer & Nut 1490-6022, 1490-5405
Spring Bolt & Nut 1490-5003, 1490-5004

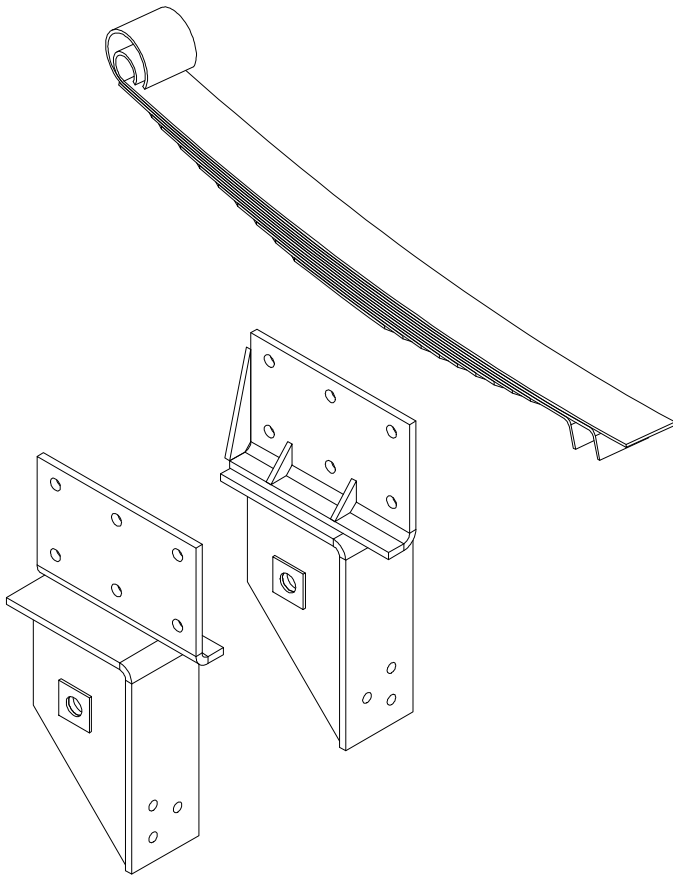
LH Front Spring Hanger
Part # 1490-4729

RH Front Spring Hanger
Part # 1490-4728

LH Rear Spring Hanger
Part # 1490-4730

RH Rear Spring Hanger
Part # 1490-4731

**Bushing &
Poly Parts**



Leaf Spring Bushings & Poly Sets

Back

Home

Front Poly Wear Pad Kit

Part # 1490-4575

(one Side Only)

Rear Poly Wear Pad Kit

Part # 1490-4053

(one Side Only)

Poly Slipper Steel Plate

Part # 1490-7069

(one Side Only)

Front Leaf Spring Bushing

Part # 1490-4428

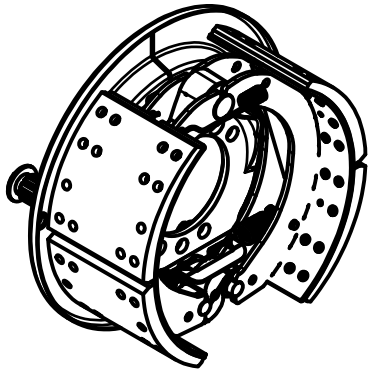
(one Side Only)

**Springs &
Hangers**

Front Axle Brake Parts

[Back](#)

[Home](#)

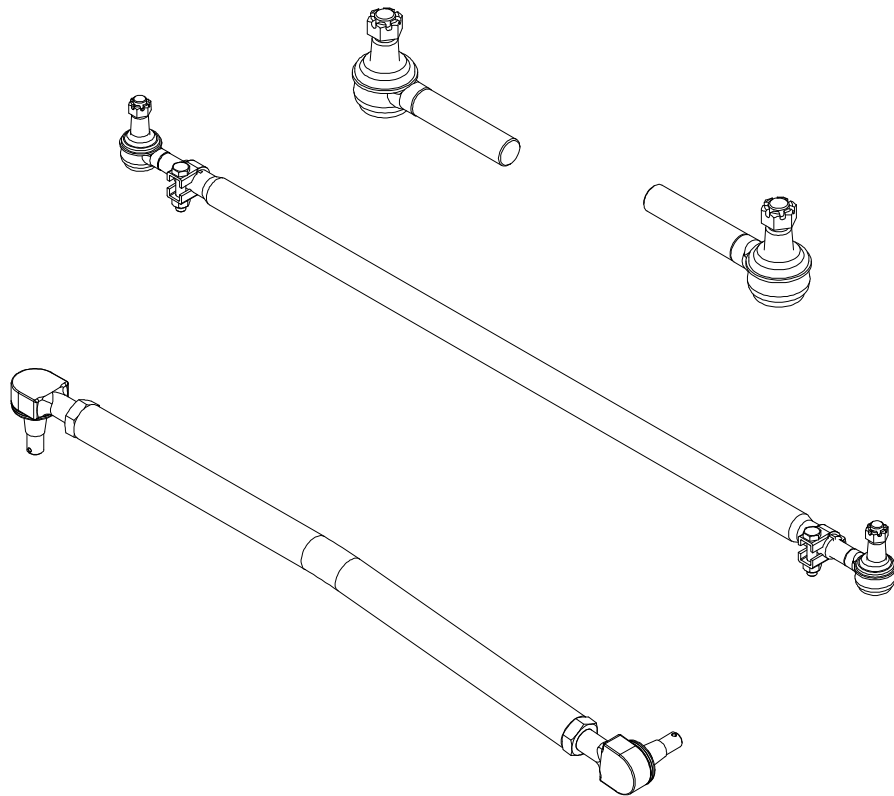


**Eaton Lined Shoe Set
Part #1490-4906**

Steering Components

Back

Home



Complete Tie Rod Assy
Part #1490-6764
S/N A1000-Later

LH Tie Rod End
Part #1490-4661

RH Tie Rod End
Part #1490-4662

Complete Drag Link Assy
Part #82500003

Drag Link End
Part #1490-7221

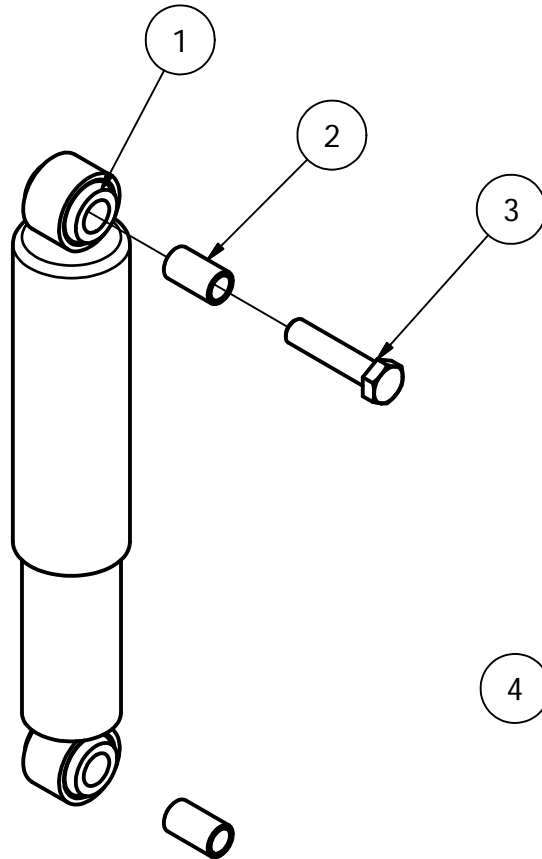
Front Axle Shock

Part # 1490-5181

(No Spacers or Bolt)

[Back](#)

[Home](#)



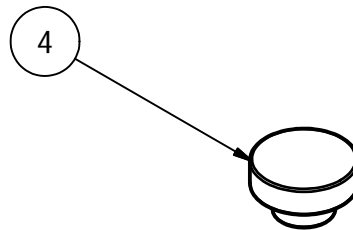
Quantity per side		PARTS LIST	
ITEM	QTY	PART NUMBER	DESCRIPTION
1	1	1490-5181	Monroe Front Shock
2	2	1490-5301	Front Shock Spacer Sleeve
3	1	1490-6597	3/4-10 UNC - 3.50 Gd 8
4	1	1490-4068	Front Axle Bumper

Monroe Magnum 70 Part# 74025

Class 7-8 Truck & Bus Shock

15-³/₄" collapsed 24-³/₄" Extended

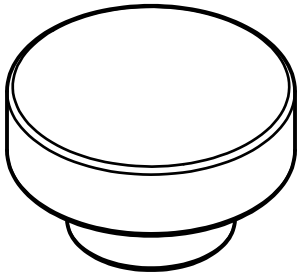
35-16 Rubber Bushings for the Old CCC Shock **1490-6232** = Qty 4 per shock



Front Axle Misc Parts

[Back](#)

[Home](#)



Axle Bumper
Part # 1490-4068



Tire & Wheels

Back

Home

**Front
Tires & Wheels**

**Rear
Tires & Wheels**

**Tire Pressure
Monitoring System**

**Front Wheel
Studs & Nuts**

**Rear Wheel
Studs & Nuts**

Rear Tires & Wheels

[Back](#)

[Home](#)

Rear Wheel Stud Pilot

S/N A1000 thru A1005

Chromazome Steel Wheel

Wheel Only Part# 1490-6577

Tire & Wheel Part# 1490-6761

22.5/24 10 hole 7MM / 9.38 Backset

Rear Wheel Hub Pilot

S/N A1006 & Newer

Chromazome Steel Wheel

Wheel Only Part# 1490-6946

Tire & Wheel Part# 1490-6762

22.5/24 10 hole 7MM / 9.38 Backset

Rear Tire Only

Vredistein

Part# 1490-6202

710/45 22.5 (Inflate to 60 psi)

Front Tires & Wheels

[Back](#)

[Home](#)

Front Wheels

Aluminum Wheel (Standard)

Part# 1490-6590

22.5/13 10 hole 7MM

9.62 Backset (Hub Pilot)

Steel Wheel Chromazone (Optional)

Part# 1490-6578

22.5/16 10 hole 7MM

12.75 Backset (Hub Pilot)

Front Tires

Goodyear (Standard)

Part# 1490-4021

445/65 22.5

(Requires 13" Rim)

Optional (Float)

Nokian Country King

Part# 1490-6423

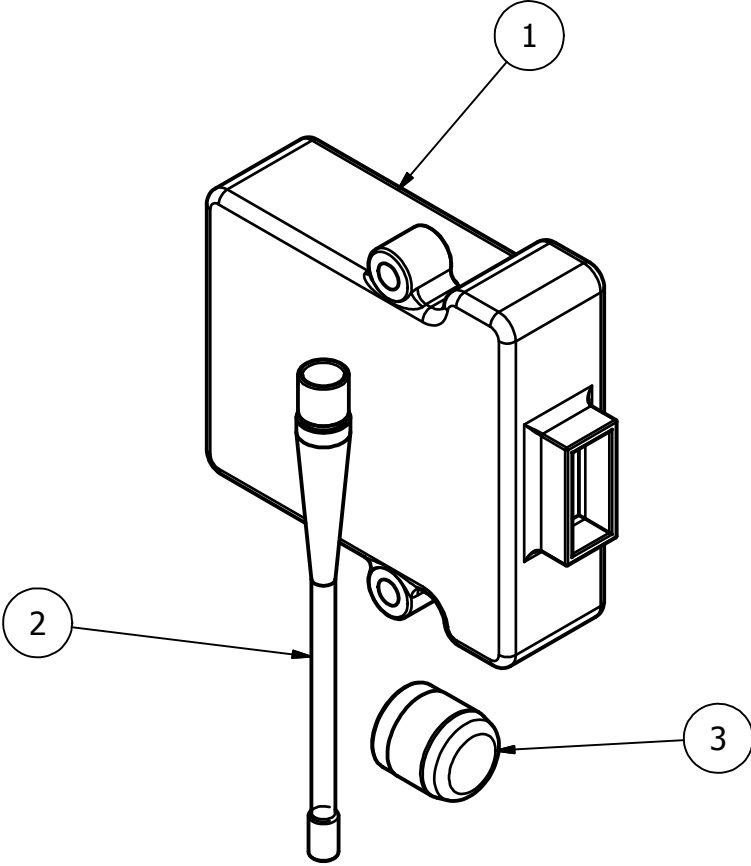
500/60 22.5

(Requires 16" Rim)

Tire Pressure Monitoring System

Back

Home



PARTS LIST			
ITEM	QTY	PART NUMBER	DESCRIPTION
1	1	1490-6054	Tire Pressure J1939 Gateway
2	1	1490-6057	7" Antenna for Tire Pressure Gateway
3	1	1490-5780	Tire Pressure Sensor 2.0

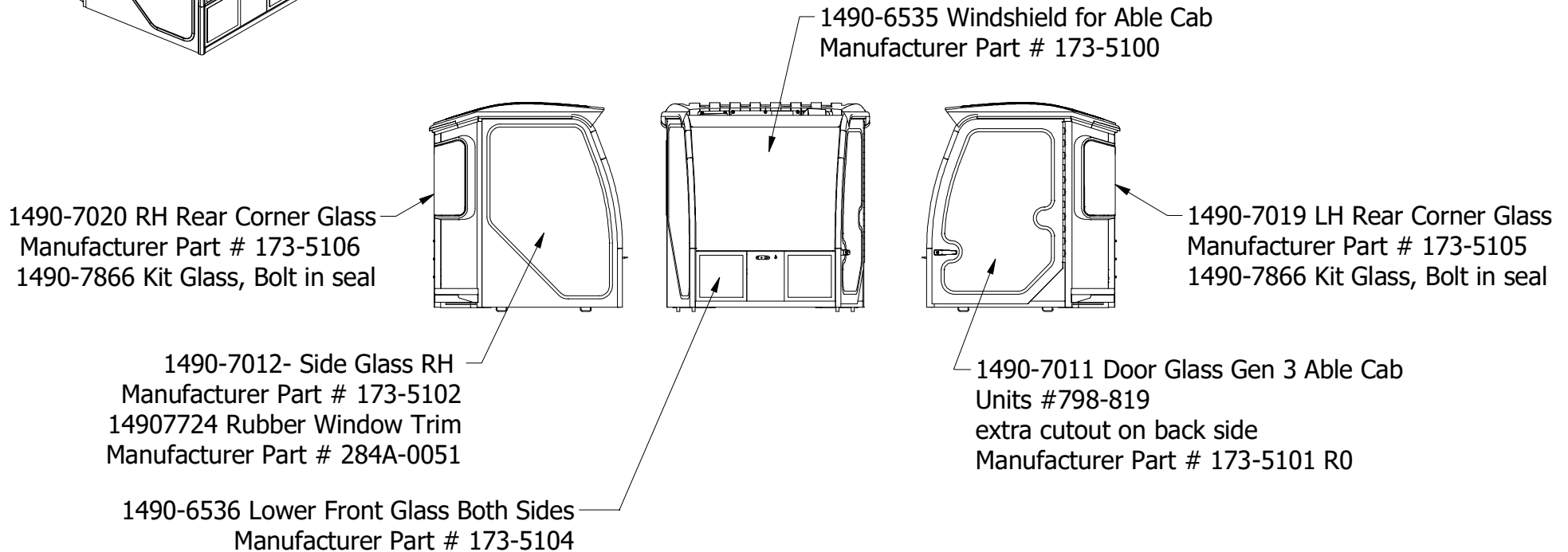
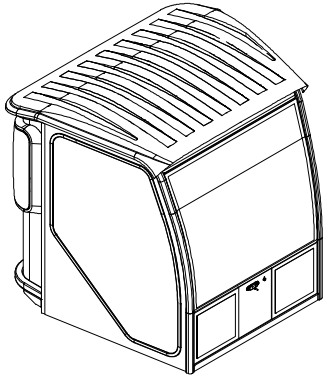
Stinger 6500 Stacker

[Back](#)

[Home](#)

Glass & Seals Gen 3 Able Cab

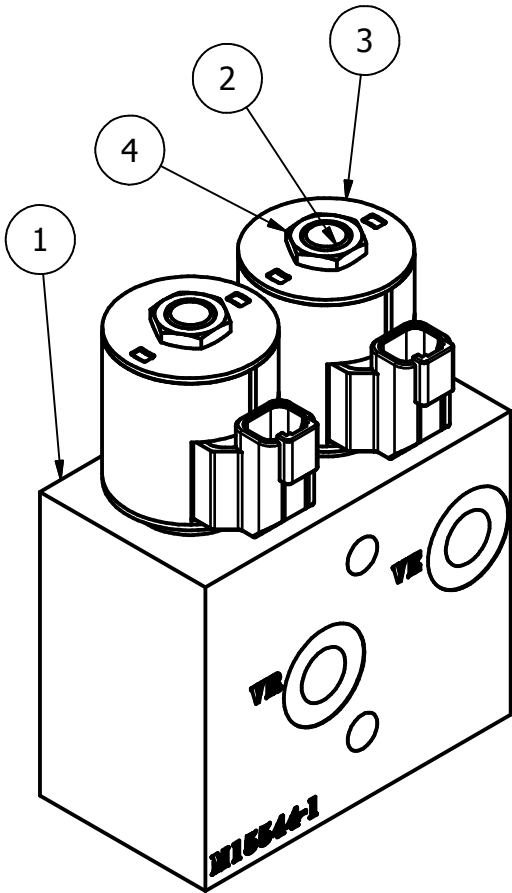
Units #A1004-A1015



28" Wiper Blades 1490-6520

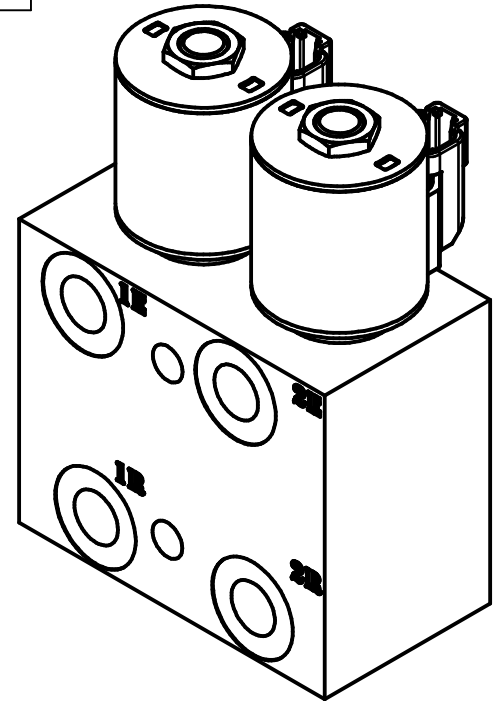
1/4-Turn Control Valve 1490-5804

Back



PARTS LIST			
ITEM	QTY	PART NUMBER	DESCRIPTION
1	1	M15544-1	Valve Body
2	2	1490-5933	Size #10 2-Way (NC)
3	2	1490-5920	12V #10 ER Coil
4	2	7004400	Jam Nut

Home

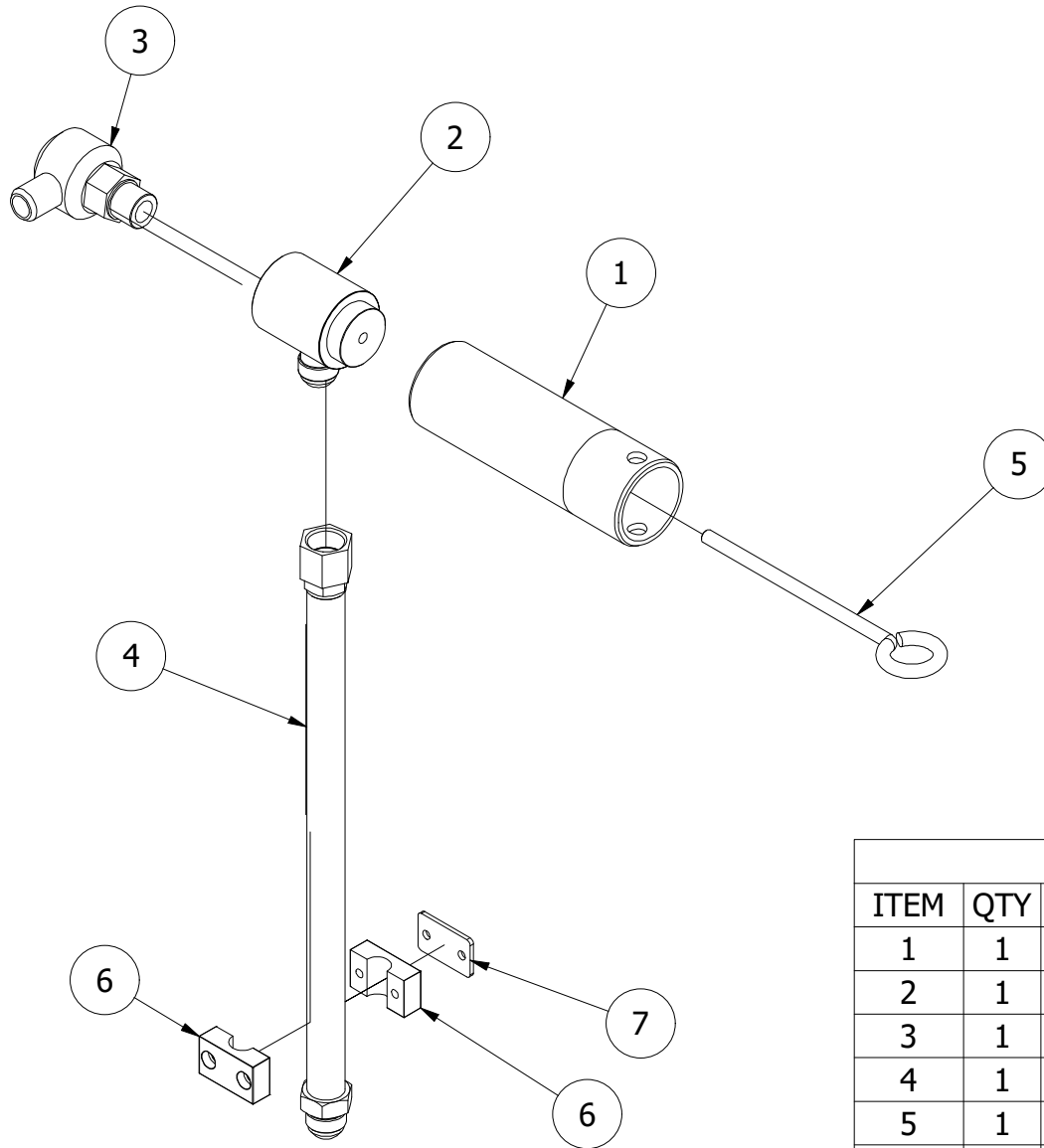


Stinger 8500 Stacker

[Back](#)

[Home](#)

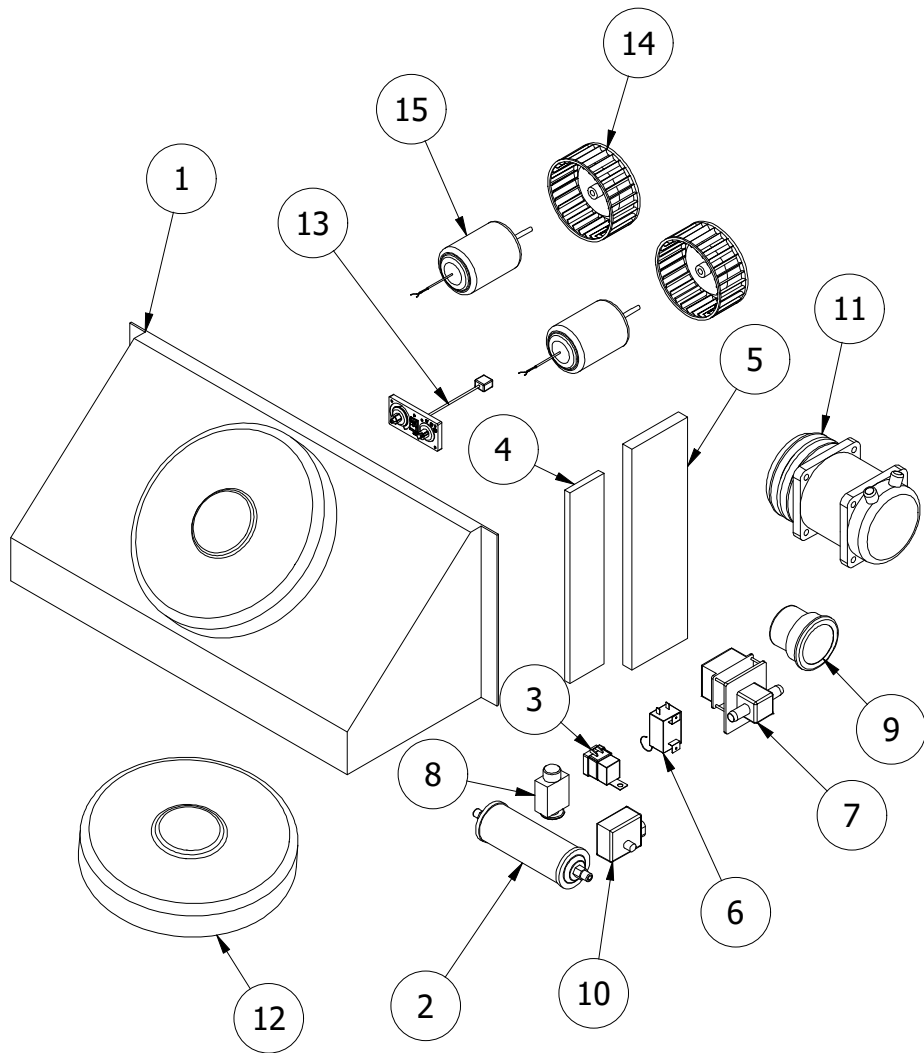
Detail A, Assy



PARTS LIST			
ITEM	QTY	PART NUMBER	DESCRIPTION
1	1	5540-111	Main Pivot Shaft
2	1	1490-5879	Main Pivot Hose Swivel Mount Block
3	1	1490-5849	3/4' Hydraulic High Pressure Swivel
4	1	1400-202	Front Swivel Steel Line
5	1	3_8 X 8 Eye bolt	Long Shank Eye Bolt
6	2	14905609	1/2 Smoothie Single Clamp Insert
7	1	14904909	1/2 & 5/8 Single Cover

A/C Detail-New

Units # A1003 To A1006



PARTS LIST			
ITEM	QTY	PART NUMBER	DESCRIPTION
1	1	1490-3737	Remote A/C Condensor Complete Assy
2	1	1490-4658	Receiver Drier
3	1	1490-5053	Water Tight Relay 12V (A/C)
4	1	1490-6529	Filter, Return A/C, 798-865
5	1	1490-6528	Filter, A/AC Fresh Air, 798-865
6	1	1490-5808	A/C Thermostat
7	1	1490-6330	Water Valve 12V
8	1	1490-6332	Expansion Valve
9	1	1490-6334	A/C louver vent for CCC cab (Front of Cab)
10	1	1490-6337	Air flow control motor for CCC cab
11	1	1490-4628	A/C Compressor (4509, 4510, 6664, 6668)
12	1	1490-6572	Condensor Electric Fan
13	1	1490-6531	A/C Control Panel 2018 Able Cabs
14	2	1490-4145	A/C Blower Fan
15	2	1490-6530	A/C Blower Motor 2018 Able Cab (2 per)

Charge with approx. 4-1/4 lbs of R-134A